

RC-07P1N12Q0M8 - Crimp contact



1621211

<https://www.phoenixcontact.com/us/products/1621211>

Please be informed that the data shown in this PDF document is generated from our online catalog. Please find the complete data in the user documentation. Our general terms of use for downloads are valid.

Crimp contact



Commercial data

| | |
|--------------------------------------|--------------------------------|
| Item number | 1621211 |
| Packing unit | 10 pc |
| Minimum order quantity | 1 pc |
| Note | Made to order (non-returnable) |
| Product key | ABRAFJ |
| GTIN | 4046356896313 |
| Weight per piece (including packing) | 110.04 g |
| Weight per piece (excluding packing) | 110.04 g |
| Country of origin | DE |

RC-07P1N12Q0M8 - Crimp contact



1621211

<https://www.phoenixcontact.com/us/products/1621211>

Technical data

Product properties

| | |
|--------------|---------------------------------|
| Product type | Circular connector (cable-side) |
|--------------|---------------------------------|

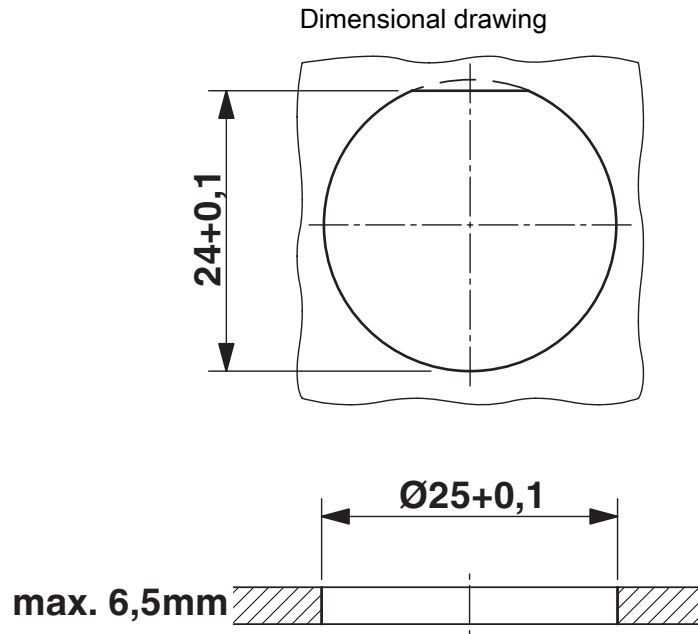
RC-07P1N12Q0M8 - Crimp contact



1621211

<https://www.phoenixcontact.com/us/products/1621211>

Drawings



Installation dimensions

Phoenix Contact 2026 © - all rights reserved
<https://www.phoenixcontact.com>

Phoenix Contact USA
586 Fulling Mill Road
Middletown, PA 17057, United States
(+717) 944-1300
info@phoenixcon.com