

RC-0000000W2XW - Housing for circular connector



1621029

<https://www.phoenixcontact.com/us/products/1621029>

Please be informed that the data shown in this PDF document is generated from our online catalog. Please find the complete data in the user documentation. Our general terms of use for downloads are valid.



Similar figure

Housing for circular connector, series: RC, Item is lead-free in accordance with RoHS II without Exemption 6c (Pb < 0.1 %). This product is in the process of being discontinued. This product must no longer be considered for new projects. Please contact your sales representative for alternatives. Alternative products: 1554116

Commercial data

Item number	1621029
Packing unit	40 pc
Minimum order quantity	1 pc
Note	Made to order (non-returnable)
Product key	ABRAFP
GTIN	4046356893275
Weight per piece (including packing)	29.79 g
Weight per piece (excluding packing)	27 g
Country of origin	DE

RC-0000000W2XW - Housing for circular connector



1621029

<https://www.phoenixcontact.com/us/products/1621029>

Technical data

Product properties

Product type	Circular connector housing
Series	RC

Connector

Housing

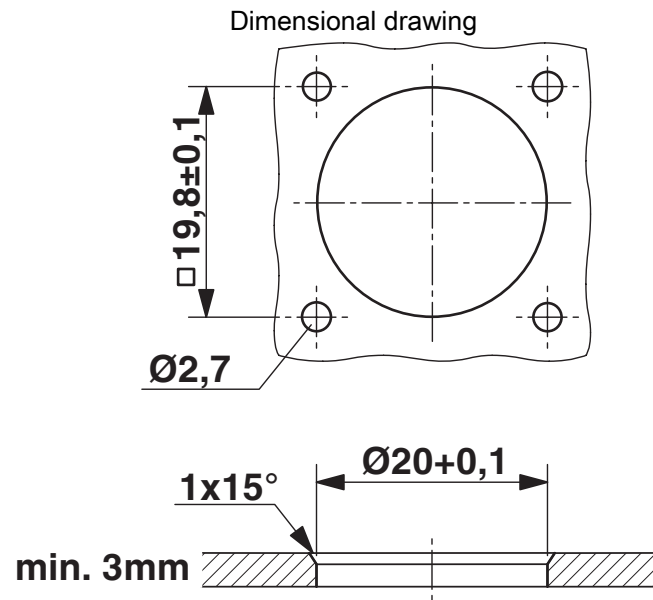
Type	Flange housing
Thread type	M23
Design	straight
Type of locking	Screw locking mechanism
Pg screw connection	none
Mounting type	Front mounting/square flange (4x Ø 2.7 mm)
Material (Housing)	Metal
Degree of protection (plugged in)	IP67
Seal for the device	Radial O-ring

RC-0000000W2XW - Housing for circular connector

1621029

<https://www.phoenixcontact.com/us/products/1621029>

Drawings



Installation dimensions

RC-0000000W2XW - Housing for circular connector



1621029

<https://www.phoenixcontact.com/us/products/1621029>

Classifications

ECLASS

ECLASS-13.0	27440224
ECLASS-15.0	27440224

ETIM

ETIM 10.0	EC003556
-----------	----------

UNSPSC

UNSPSC 21.0	39121100
-------------	----------

RC-0000000W2XW - Housing for circular connector



1621029

<https://www.phoenixcontact.com/us/products/1621029>

Environmental product compliance

EU RoHS

Fulfills EU RoHS substance requirements	Yes, No exemptions
---	--------------------

China RoHS

Environment friendly use period (EFUP)	EFUP-E
	No hazardous substances above the limits

EU REACH SVHC

REACH candidate substance (CAS No.)	No substance above 0.1 wt%
-------------------------------------	----------------------------

Phoenix Contact 2026 © - all rights reserved
<https://www.phoenixcontact.com>

Phoenix Contact USA
586 Fulling Mill Road
Middletown, PA 17057, United States
(+717) 944-1300
info@phoenixcon.com