

SF-Z0068 - Square mounting flange



1620927

<https://www.phoenixcontact.com/us/products/1620927>

Please be informed that the data shown in this PDF document is generated from our online catalog. Please find the complete data in the user documentation. Our general terms of use for downloads are valid.



Square mounting flange, flange dimensions: 38 mm x 38 mm, series: SF, SH, this item is expected to be lead-free from Q2 2026 in accordance with RoHS II without exception 6c (Pb < 0.1%), a lead-free alternative is possible on request in advance

Commercial data

Item number	1620927
Packing unit	1 pc
Minimum order quantity	1 pc
Sales key	AB36
Product key	ABRGAB
GTIN	4055626021607
Weight per piece (including packing)	32.9 g
Weight per piece (excluding packing)	29.212 g
Customs tariff number	74198090
Country of origin	DE

SF-Z0068 - Square mounting flange



1620927

<https://www.phoenixcontact.com/us/products/1620927>

Technical data

Product properties

Product type	Mounting material
Series	SF
	SH

Dimensions

Housing

Flange dimensions	38 mm x 38 mm
-------------------	---------------

Mounting

Mounting type	Screw mounting (4x M3)
---------------	------------------------

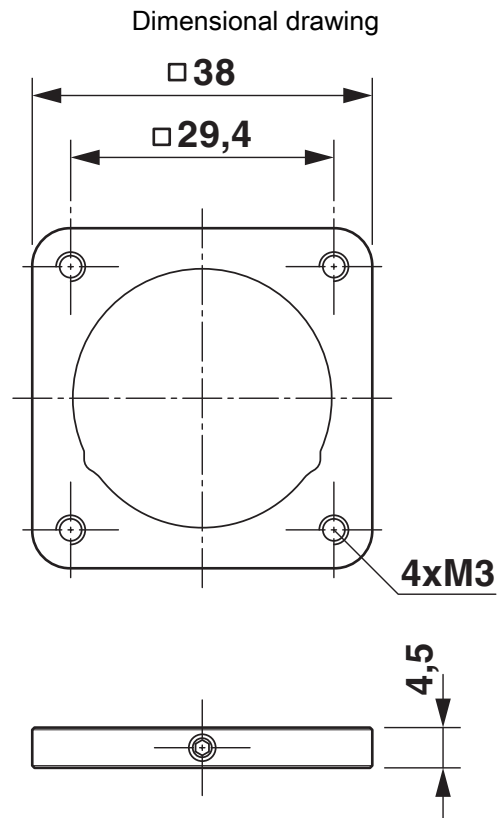
SF-Z0068 - Square mounting flange

1620927

<https://www.phoenixcontact.com/us/products/1620927>



Drawings



Dimensional drawing

SF-Z0068 - Square mounting flange



1620927

<https://www.phoenixcontact.com/us/products/1620927>

Classifications

ECLASS

ECLASS-13.0	27440210
ECLASS-15.0	27440210

ETIM

ETIM 10.0	EC002310
-----------	----------

UNSPSC

UNSPSC 21.0	39121400
-------------	----------

SF-Z0068 - Square mounting flange



1620927

<https://www.phoenixcontact.com/us/products/1620927>

Environmental product compliance

EU RoHS

Fulfills EU RoHS substance requirements	Yes, No exemptions
---	--------------------

China RoHS

Environment friendly use period (EFUP)	EFUP-E
	No hazardous substances above the limits

EU REACH SVHC

REACH candidate substance (CAS No.)	No substance above 0.1 wt%
-------------------------------------	----------------------------

Phoenix Contact 2026 © - all rights reserved
<https://www.phoenixcontact.com>

Phoenix Contact USA
586 Fulling Mill Road
Middletown, PA 17057, United States
(+717) 944-1300
info@phoenixcon.com