

# CA-12S1NA22S00 - Device connector front mounting



1619925

<https://www.phoenixcontact.com/us/products/1619925>

Please be informed that the data shown in this PDF document is generated from our online catalog. Please find the complete data in the user documentation. Our general terms of use for downloads are valid.



M23, Device connector front mounting, application: Signal, series: CA, straight, shielded: yes, for standard and SPEEDCON interlock, No. of pos.: 12, Direction of rotation: Standard, contact connection type: Socket, Solder-in connection, Flat gasket, flange dimensions: 25 mm x 25 mm, coding: N. This product is in the process of being discontinued. This product must no longer be considered for new projects. Please contact your sales representative for alternatives.

## Your advantages

- Safe use in the field, thanks to high degree of protection
- Consistent EMC protection for reliable transmission of signals
- Easy device integration: solder-in contacts available in different lengths

## Commercial data

Item number	1619925
Packing unit	1 pc
Minimum order quantity	1 pc
Note	Made to order (non-returnable)
Sales key	AB31
Product key	ABRAEL
GTIN	4046356820455
Weight per piece (including packing)	30.3 g
Weight per piece (excluding packing)	23.659 g
Customs tariff number	85366990
Country of origin	DE

1619925

<https://www.phoenixcontact.com/us/products/1619925>

## Technical data

### Product properties

Product type	Circular connectors (device side)
--------------	-----------------------------------

### Dimensions

Length of the solder pin	10 mm
	10 mm

### Connector

#### Insulating body

Coding	N
Material (Insulating body)	PBT
Material (Contact)	CuZn
Material (Contact surface)	Ni/Au
Connection method	Solder-in connection
Contact switching type	Socket
Application	Signal
Number of positions	12
Direction of rotation	Standard
Connection profile	12
Number (Contact group 1)	12
Contact diameter (Contact group 1)	1 mm
Rated current Contact (Contact group 1)	8 A (for max. connection cross section)
Rated voltage Contact (Contact group 1)	48 V AC
	74 V DC
Rated surge voltage	1.5 kV
Overvoltage category	III
Degree of pollution	3

#### Housing

Type	Flange housing
Thread type	M23
Design	straight
Type of locking	for standard and SPEEDCON interlock
Pg screw connection	none
Mounting type	Front mounting/square flange (4x Ø 3.2 mm)
Flange dimensions	25 mm x 25 mm
Material (Housing)	GD-Zn
Degree of protection (plugged in)	IP67
Seal for the device	Flat gasket

### Environmental and real-life conditions

# CA-12S1NA22S00 - Device connector front mounting



1619925

<https://www.phoenixcontact.com/us/products/1619925>

## Ambient conditions

Ambient temperature (operation)

-40 °C ... 125 °C

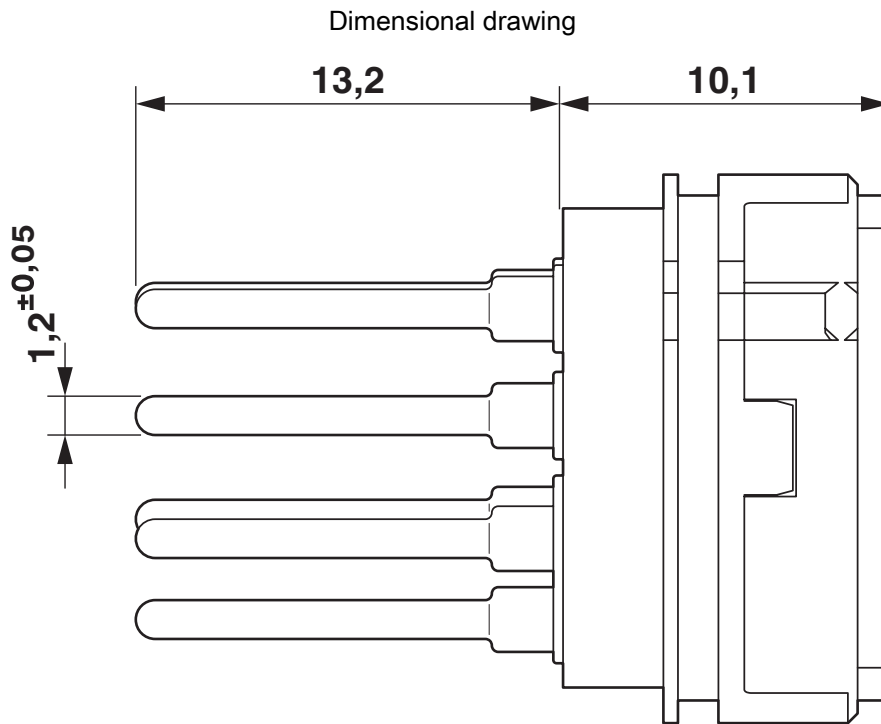
# CA-12S1NA22S00 - Device connector front mounting



1619925

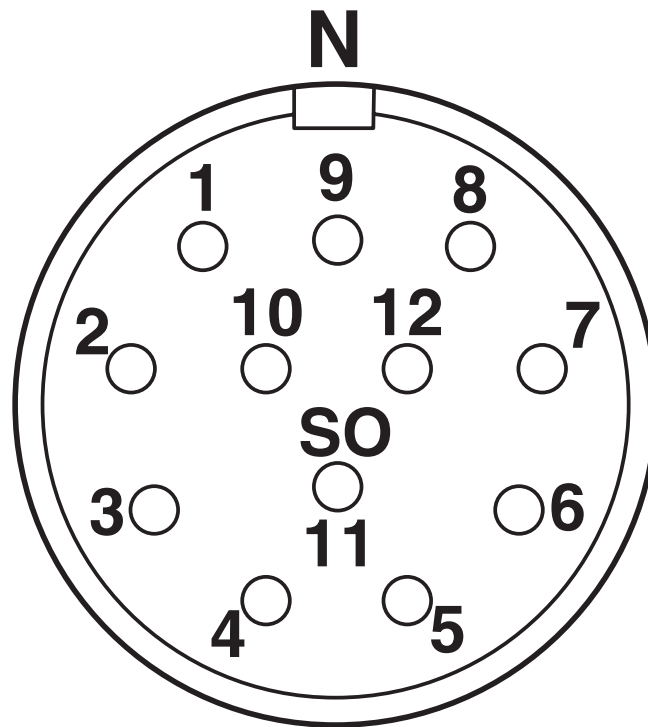
<https://www.phoenixcontact.com/us/products/1619925>

## Drawings



Dimensional drawing

Schematic diagram



Connector pin assignment

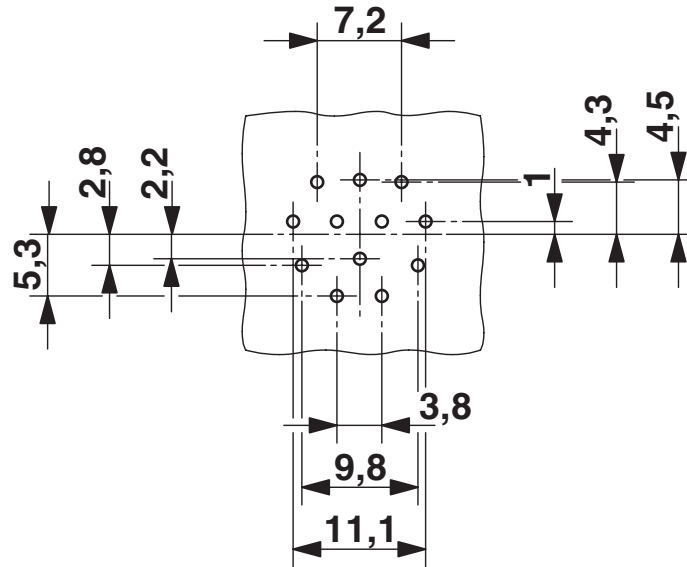
# CA-12S1NA22S00 - Device connector front mounting

1619925

<https://www.phoenixcontact.com/us/products/1619925>



Drilling plan/solder pad geometry



12-pos.

# CA-12S1NA22S00 - Device connector front mounting





1619925

<https://www.phoenixcontact.com/us/products/1619925>

## Approvals

To download certificates, visit the product detail page: <https://www.phoenixcontact.com/us/products/1619925>

 <b>cUL Recognized</b> Approval ID: E335019-20141210				
	Nominal voltage $U_N$	Nominal current $I_N$	Cross section AWG	Cross section $\text{mm}^2$
keine				
	48 V	6 A	18	-

 <b>UL Recognized</b> Approval ID: E335019-20141210				
	Nominal voltage $U_N$	Nominal current $I_N$	Cross section AWG	Cross section $\text{mm}^2$
keine				
	48 V	8 A	18	-

# CA-12S1NA22S00 - Device connector front mounting



1619925

<https://www.phoenixcontact.com/us/products/1619925>

## Classifications

### ECLASS

ECLASS-13.0	27440109
ECLASS-15.0	27440109

### ETIM

ETIM 10.0	EC003569
-----------	----------

### UNSPSC

UNSPSC 21.0	39121400
-------------	----------

1619925

<https://www.phoenixcontact.com/us/products/1619925>

## Environmental product compliance

### EU RoHS

Fulfills EU RoHS substance requirements	Yes
Exemption	6(c)

### China RoHS

Environment friendly use period (EFUP)	EFUP-50
	An article-related China RoHS declaration table can be found in the download area for the respective article under "Manufacturer declaration". For all articles with EFUP-E, no China RoHS declaration table issued and required.

### EU REACH SVHC

REACH candidate substance (CAS No.)	Lead(CAS: 7439-92-1)
SCIP	5c598de1-991e-4a1a-835d-ffa91b56b8e4

Phoenix Contact 2026 © - all rights reserved

<https://www.phoenixcontact.com>

Phoenix Contact USA  
586 Fulling Mill Road  
Middletown, PA 17057, United States  
(+717) 944-1300  
[info@phoenixcon.com](mailto:info@phoenixcon.com)