

# CA-12P1N126Z00 - Device connector front mounting



1619890

<https://www.phoenixcontact.com/us/products/1619890>

Please be informed that the data shown in this PDF document is generated from our online catalog. Please find the complete data in the user documentation. Our general terms of use for downloads are valid.



M23, Device connector front mounting, application: Signal, series: CA, straight, shielded: yes, for standard and SPEEDCON interlock, No. of pos.: 12, Direction of rotation: Standard, contact connection type: Pin, Solder cup, Axial seal, coding: N. This product is in the process of being discontinued. This product must no longer be considered for new projects. Please contact your sales representative for alternatives.

## Your advantages

- Safe use in the field, thanks to high degree of protection
- Connector for flexible on-site assembly
- Consistent EMC protection for reliable transmission of signals
- Solder connection: proven connection technology for various litz wires

## Commercial data

Item number	1619890
Packing unit	1 pc
Minimum order quantity	1 pc
Sales key	AB31
Product key	ABRAEL
GTIN	4046356820769
Weight per piece (including packing)	29.6 g
Weight per piece (excluding packing)	24.789 g
Customs tariff number	85366990
Country of origin	DE

## Technical data

### Product properties

Product type	Circular connectors (device side)
--------------	-----------------------------------

### Connector

#### Insulating body

Coding	N
Material (Insulating body)	PBT
Material (Contact)	CuZn
Material (Contact surface)	Ni/Au
Insertion/withdrawal cycles	100
Connection method	Solder cup
Contact switching type	Pin
Application	Signal
Number of positions	12
Direction of rotation	Standard
Connection profile	12
Number (Contact group 1)	0
Rated voltage Contact (Contact group 1)	48 V AC
	74 V DC
Rated surge voltage	1.5 kV
Overvoltage category	III
Degree of pollution	3
Number (Contact group 2)	12
Contact diameter (Contact group 2)	1 mm
Litz wires Max. cross section (Contact group 2)	1 mm <sup>2</sup>
Rated current Contact (Contact group 2)	8 A

#### Housing

Order information:	If necessary, order locking nut separately
Thread type	M23
Design	straight
Type of locking	for standard and SPEEDCON interlock
Pg screw connection	none
Mounting type	Front mounting (Pg13,5)
Assembly note	Central fastening
Housing material	CuZn
Degree of protection (plugged in)	IP67
Seal for the device	Axial seal

### Environmental and real-life conditions

#### Ambient conditions

# CA-12P1N126Z00 - Device connector front mounting



1619890

<https://www.phoenixcontact.com/us/products/1619890>

Ambient temperature (operation)

-40 °C ... 125 °C

# CA-12P1N126Z00 - Device connector front mounting

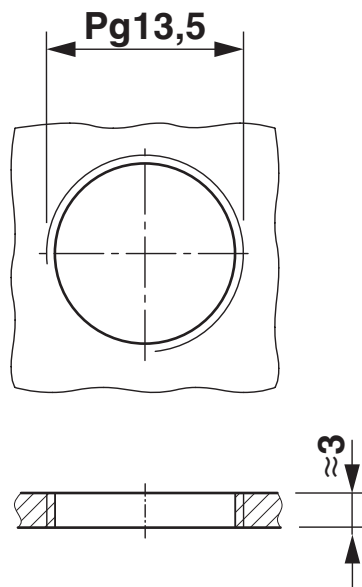


1619890

<https://www.phoenixcontact.com/us/products/1619890>

## Drawings

Dimensional drawing



## Installation dimensions

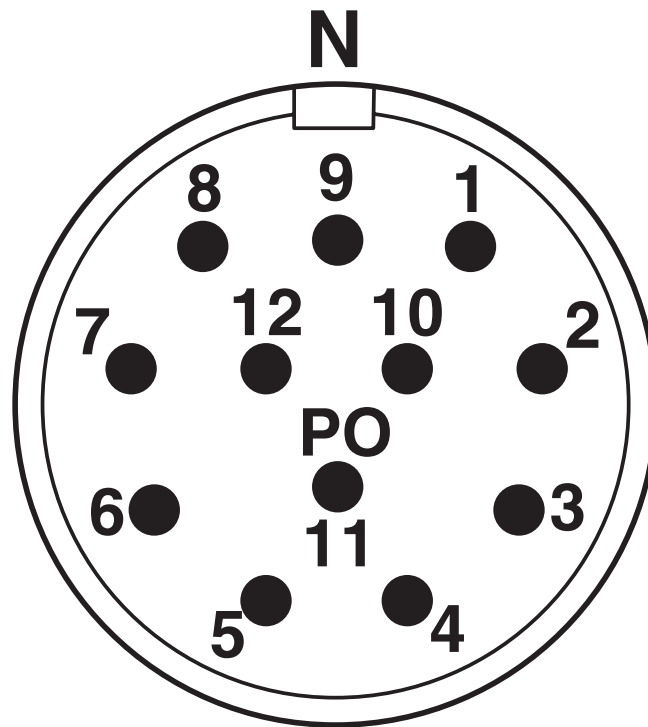
# CA-12P1N126Z00 - Device connector front mounting



1619890

<https://www.phoenixcontact.com/us/products/1619890>

Schematic diagram



Connector pin assignment

# CA-12P1N126Z00 - Device connector front mounting



1619890

<https://www.phoenixcontact.com/us/products/1619890>

## Approvals

To download certificates, visit the product detail page: <https://www.phoenixcontact.com/us/products/1619890>

 <b>cUL Recognized</b> Approval ID: E335019-20141210				
	Nominal voltage $U_N$	Nominal current $I_N$	Cross section AWG	Cross section $\text{mm}^2$
keine				
	48 V	6 A	18	-

 <b>UL Recognized</b> Approval ID: E335019-20141210				
	Nominal voltage $U_N$	Nominal current $I_N$	Cross section AWG	Cross section $\text{mm}^2$
keine				
	48 V	8 A	18	-

# CA-12P1N126Z00 - Device connector front mounting



1619890

<https://www.phoenixcontact.com/us/products/1619890>

## Classifications

### ECLASS

ECLASS-13.0	27440109
ECLASS-15.0	27440109

### ETIM

ETIM 10.0	EC003569
-----------	----------

### UNSPSC

UNSPSC 21.0	39121400
-------------	----------

# CA-12P1N126Z00 - Device connector front mounting



1619890

<https://www.phoenixcontact.com/us/products/1619890>

## Environmental product compliance

### EU RoHS

Fulfills EU RoHS substance requirements	Yes, No exemptions
---	--------------------

### China RoHS

Environment friendly use period (EFUP)	EFUP-E
	No hazardous substances above the limits

### EU REACH SVHC

REACH candidate substance (CAS No.)	No substance above 0.1 wt%
-------------------------------------	----------------------------

Phoenix Contact 2026 © - all rights reserved  
<https://www.phoenixcontact.com>

Phoenix Contact USA  
586 Fulling Mill Road  
Middletown, PA 17057, United States  
(+717) 944-1300  
[info@phoenixcon.com](mailto:info@phoenixcon.com)