

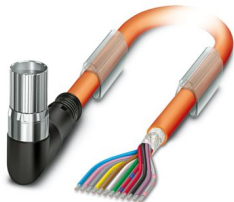
# K-12 - OE/010-E00/M23 FK - Cable plug in molded plastic



1619284

<https://www.phoenixcontact.com/us/products/1619284>

Please be informed that the data shown in this PDF document is generated from our online catalog. Please find the complete data in the user documentation. Our general terms of use for downloads are valid.



Cable plug in molded plastic, application: Signal, angled rotatable, -120° left/120° right, number of positions: 12, type of locking: Screw locking mechanism, cable length: 10 m, shielded: yes, color of outer sheath: orange RAL 2003, this item is expected to be lead-free from Q1 2027 in accordance with RoHS II without exception 6c (Pb < 0.1%), a lead-free alternative is possible on request in advance

## Your advantages

- Our standard: robust halogen-free PUR cable
- Simple and safe: 100% electrically tested and assembled ready for use
- Designs with preassembled cables on one or both sides
- Easy connection: angled design with configurable cable outlet direction
- High flexibility: customer-specific assemblies and cable lengths can be supplied

## Commercial data

Item number	1619284
Packing unit	1 pc
Minimum order quantity	1 pc
Sales key	AB34
Product key	ABRDFC
GTIN	4046356835206
Weight per piece (including packing)	1,156.694 g
Weight per piece (excluding packing)	1,156.694 g
Customs tariff number	85444290
Country of origin	DE

# K-12 - OE/010-E00/M23 FK - Cable plug in molded plastic



1619284

<https://www.phoenixcontact.com/us/products/1619284>

## Technical data

### Product properties

Product type	Signal and power cable
Application	Signal

### Connector

#### Connector specifications

Type	angled rotatable, -120° left/120° right
Housing material	Die-cast zinc
Type of locking	Screw locking mechanism
Degree of protection	IP67, when in locked state
No. of pos.	12
Direction of rotation	Standard
Insertion/withdrawal cycles	50
Contact resistance	< 0.3 mΩ
Voltage	48 V AC
Overvoltage category	III
Degree of pollution	3
Rated surge voltage	1.5 kV
Ambient temperature (operation)	-40 °C ... 105 °C

### Electrical properties

Nominal current $I_N$	9 A
-----------------------	-----

### Cable/line

Cable length	10 m
--------------	------

#### Cable specifications

Cable type	RSL9YSLC11Y
Shielded	yes
Cable structure	4 x 2 x 0.25 mm <sup>2</sup> + 2 x 0.5 mm <sup>2</sup>
Cable structure (AWG)	24 AWG/4pr + 20 AWG/2c
External cable diameter	8.00 mm
Outer sheath, material	TPU
Material wire insulation	PP
External sheath, color	orange RAL 2003
Test voltage	1 kV
Rated current	9 A
Smallest bending radius, fixed installation	40 mm
Smallest bending radius, movable installation	60 mm
Ambient temperature (operation) for fixed installation	-40 °C ... 80 °C
Ambient temperature (operation) for flexible installation	-20 °C ... 60 °C

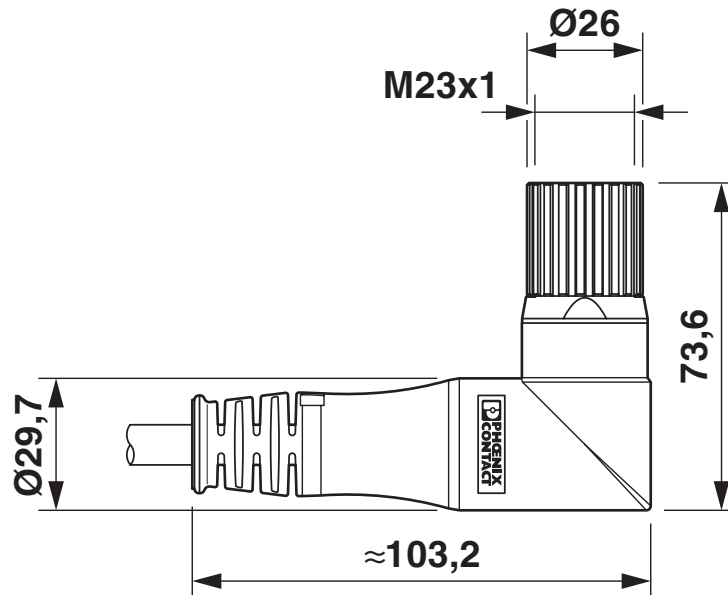
# K-12 - OE/010-E00/M23 FK - Cable plug in molded plastic

1619284

<https://www.phoenixcontact.com/us/products/1619284>

## Drawings

Dimensional drawing



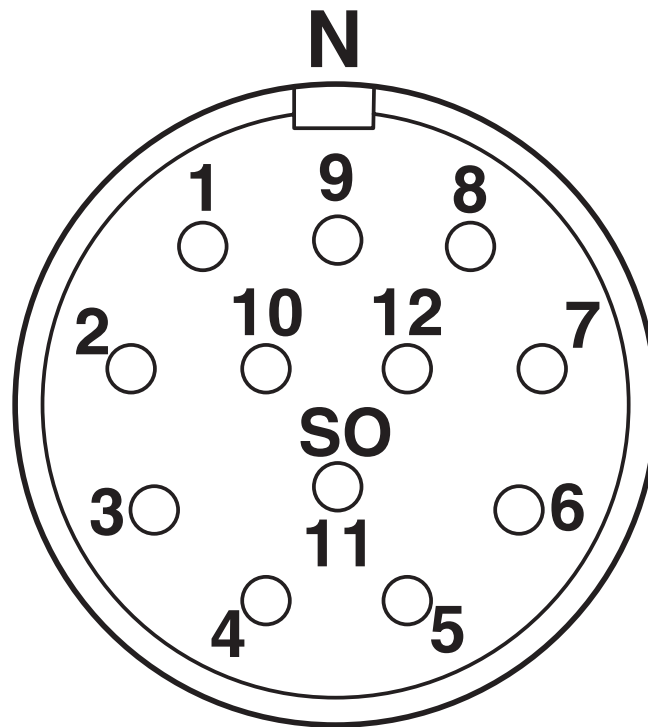
Dimensional drawing

# K-12 - OE/010-E00/M23 FK - Cable plug in molded plastic

1619284

<https://www.phoenixcontact.com/us/products/1619284>

Schematic diagram



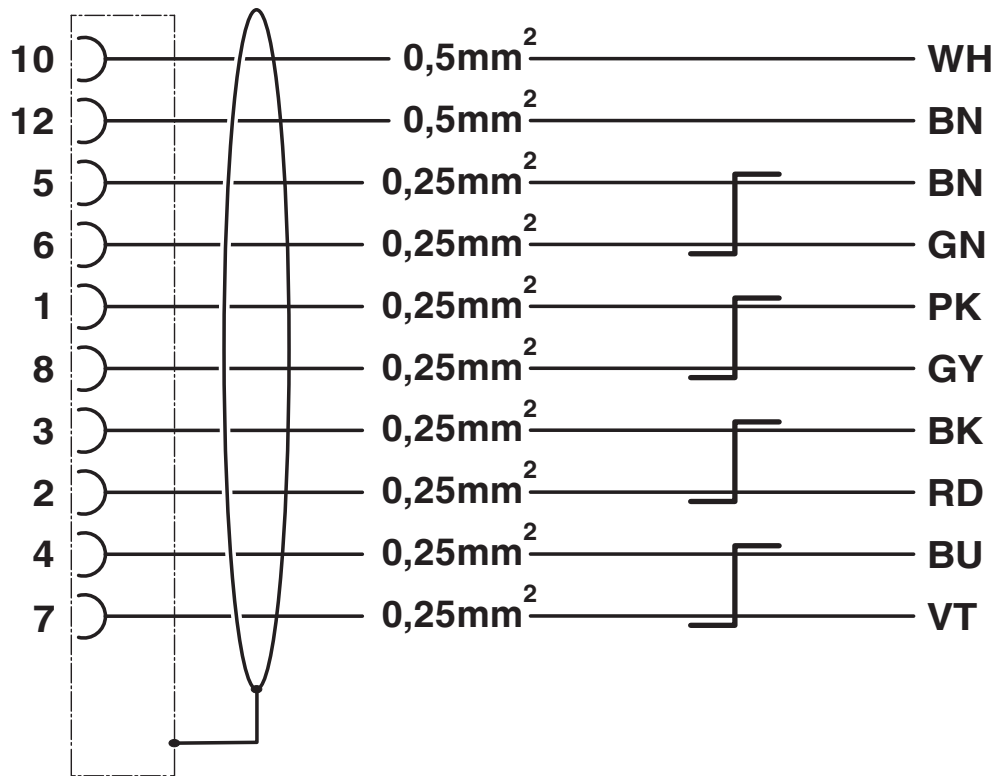
Connector pin assignment

# K-12 - OE/010-E00/M23 FK - Cable plug in molded plastic

1619284

<https://www.phoenixcontact.com/us/products/1619284>

Circuit diagram



Contact assignment of M23 plugs/sockets

# K-12 - OE/010-E00/M23 FK - Cable plug in molded plastic



1619284

<https://www.phoenixcontact.com/us/products/1619284>

## Approvals

To download certificates, visit the product detail page: <https://www.phoenixcontact.com/us/products/1619284>



**EAC**

Approval ID: 19060508



**UL Listed**

Approval ID: E335019-20140707

	Nominal voltage $U_N$	Nominal current $I_N$	Cross section AWG	Cross section $\text{mm}^2$
keine				
Power	48 V	5 A	-	-
Signal	48 V	2 A	-	-



**cUL Listed**

Approval ID: E335019-20140707

	Nominal voltage $U_N$	Nominal current $I_N$	Cross section AWG	Cross section $\text{mm}^2$
keine				
Power	48 V	5 A	-	-
Signal	48 V	2 A	-	-

# K-12 - OE/010-E00/M23 FK - Cable plug in molded plastic



1619284

<https://www.phoenixcontact.com/us/products/1619284>

## Classifications

### ECLASS

ECLASS-13.0	27060106
ECLASS-15.0	27060106

### ETIM

ETIM 10.0	EC003250
-----------	----------

### UNSPSC

UNSPSC 21.0	26121600
-------------	----------

# K-12 - OE/010-E00/M23 FK - Cable plug in molded plastic



1619284

<https://www.phoenixcontact.com/us/products/1619284>

## Environmental product compliance

### EU RoHS

Fulfills EU RoHS substance requirements	Yes
Exemption	6(b), 6(c)

### China RoHS

Environment friendly use period (EFUP)	EFUP-50
	An article-related China RoHS declaration table can be found in the download area for the respective article under "Manufacturer declaration". For all articles with EFUP-E, no China RoHS declaration table issued and required.

### EU REACH SVHC

REACH candidate substance (CAS No.)	Lead(CAS: 7439-92-1)
SCIP	0104b148-280d-4642-bd46-4b16ce38ca98

Phoenix Contact 2026 © - all rights reserved  
<https://www.phoenixcontact.com>

Phoenix Contact USA  
586 Fulling Mill Road  
Middletown, PA 17057, United States  
(+717) 944-1300  
[info@phoenixcon.com](mailto:info@phoenixcon.com)