

ST-17P1G8ACK03S - Panel feed-through



1618827

<https://www.phoenixcontact.com/us/products/1618827>

Please be informed that the data shown in this PDF document is generated from our online catalog. Please find the complete data in the user documentation. Our general terms of use for downloads are valid.



The figure shows the 8-pos. product version with black insulating body

Panel feed-through, application: Signal, SPEEDCON, M17, number of positions: 17, contact connection type: Pin, Flat gasket, 4x Ø 3.2, flange dimensions: 25.75 mm x 25.75 mm, cable diameter range: 5 mm ... 9 mm, number of positions: 17, connection method: Crimp connection, series: ST

Your advantages

- Reduced size: ideal for compact devices
- Consistent EMC protection for reliable connection solutions in the industrial environment
- Crimping connection: vibration- and temperature-resistant assembly
- Flexible use: reliably connect various cable diameters
- User-specific, suitable for front and rear mounting

Commercial data

Item number	1618827
Packing unit	20 pc
Minimum order quantity	1 pc
Note	Made to order (non-returnable)
Product key	ABRADJ
GTIN	4055626275093
Weight per piece (including packing)	43.31 g
Weight per piece (excluding packing)	43.31 g
Country of origin	DE

ST-17P1G8ACK03S - Panel feed-through



1618827

<https://www.phoenixcontact.com/us/products/1618827>

Technical data

Notes

Order information:	Order crimp contacts Ø 0.6 mm separately
--------------------	--

Product properties

Product type	Circular connectors (device side)
Series	ST
Application	Signal
Number of positions	17
Connection profile	17
Coding	N
Thread type	M17

Dimensions

Housing

Flange dimensions	25.75 mm x 25.75 mm
-------------------	---------------------

Material specifications

Seal material	FPM
Housing material	Metal

Connection data

Conductor connection

Connection method	Crimp connection
Contact connection type	Pin

Connector

Direction of rotation	Standard
-----------------------	----------

Cable/line

External cable diameter	5 mm ... 9 mm
-------------------------	---------------

Environmental and real-life conditions

Ambient conditions

Degree of protection	IP67
----------------------	------

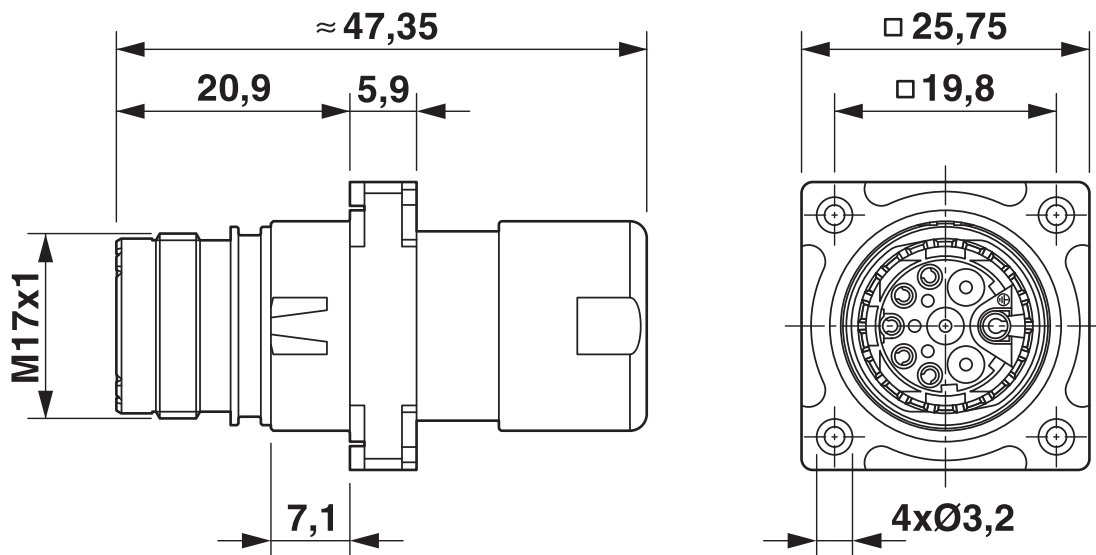
ST-17P1G8ACK03S - Panel feed-through

1618827

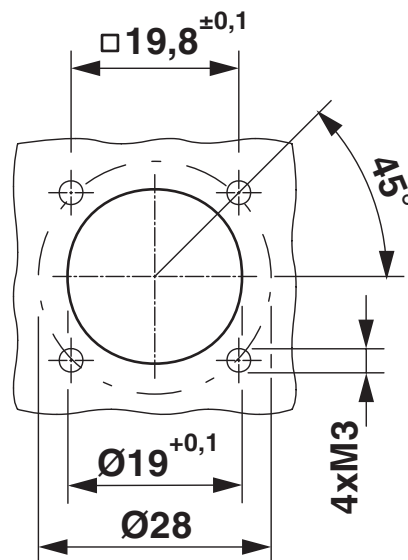
<https://www.phoenixcontact.com/us/products/1618827>

Drawings

Dimensional drawing



Dimensional drawing



Installation dimensions

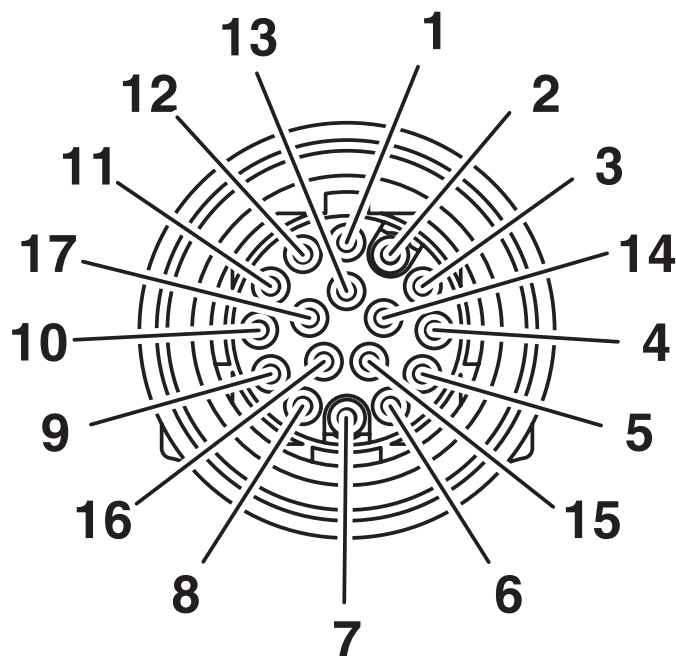
ST-17P1G8ACK03S - Panel feed-through



1618827

<https://www.phoenixcontact.com/us/products/1618827>

Schematic diagram



Connector pin assignment

ST-17P1G8ACK03S - Panel feed-through



1618827

<https://www.phoenixcontact.com/us/products/1618827>

Environmental product compliance

China RoHS

Environment friendly use period (EFUP)	EFUP-50
	An article-related China RoHS declaration table can be found in the download area for the respective article under "Manufacturer declaration". For all articles with EFUP-E, no China RoHS declaration table issued and required.

EU REACH SVHC

REACH candidate substance (CAS No.)	No substance above 0.1 wt%
-------------------------------------	----------------------------

Phoenix Contact 2026 © - all rights reserved
<https://www.phoenixcontact.com>

Phoenix Contact USA
586 Fulling Mill Road
Middletown, PA 17057, United States
(+717) 944-1300
info@phoenixcon.com