

RC-16S1NA2H000 - Device connector rear mounting



1618495

<https://www.phoenixcontact.com/us/products/1618495>

Please be informed that the data shown in this PDF document is generated from our online catalog. Please find the complete data in the user documentation. Our general terms of use for downloads are valid.



The figure shows the 12-pos.
product version

M23, Device connector rear mounting, series: RC, straight, shielded: yes, Screw locking mechanism, Axial O-ring, Panel thickness min.: 0.8 mm, Panel thickness max.: 6.5 mm. This product is in the process of being discontinued. This product must no longer be considered for new projects. Please contact your sales representative for alternatives.

Commercial data

Item number	1618495
Packing unit	12 pc
Minimum order quantity	12 pc
Product key	ABRAFR
GTIN	4046356977807
Weight per piece (including packing)	64.358 g
Weight per piece (excluding packing)	58.52 g
Country of origin	DE

RC-16S1NA2H000 - Device connector rear mounting



1618495

<https://www.phoenixcontact.com/us/products/1618495>

Technical data

Product properties

Product type	Circular connectors (device side)
--------------	-----------------------------------

Dimensions

Length of the solder pin	3.5 mm
	3.5 mm

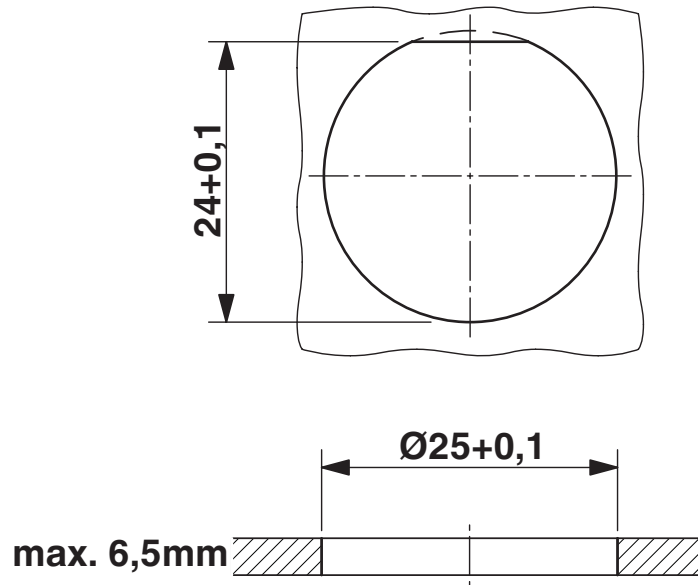
Connector

Housing

Type	Feed-through header
Thread type	M23
Design	straight
Type of locking	Screw locking mechanism
Pg screw connection	none
Mounting type	Rear mounting (M25 x 1,5)
Assembly note	Central fastening
Material (Housing)	GD-Zn
Material (Housing surface)	Ni
Material (Rotating parts)	CuZn
Degree of protection (plugged in)	IP67
Seal for the device	Axial O-ring

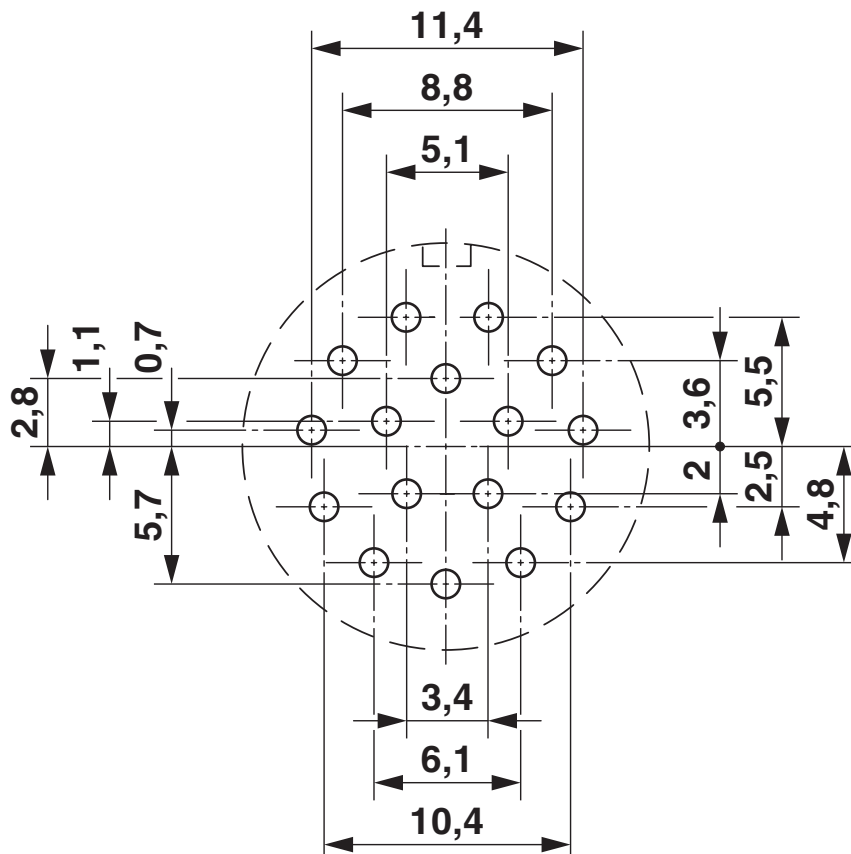
Drawings

Dimensional drawing



Installation dimensions

Drilling plan/solder pad geometry



RC-16S1NA2H000 - Device connector rear mounting



1618495

<https://www.phoenixcontact.com/us/products/1618495>

Classifications

ECLASS

ECLASS-13.0	27440109
ECLASS-15.0	27440109

ETIM

ETIM 10.0	EC003569
-----------	----------

UNSPSC

UNSPSC 21.0	39121400
-------------	----------

1618495

<https://www.phoenixcontact.com/us/products/1618495>

Environmental product compliance

EU RoHS

Fulfills EU RoHS substance requirements	Yes
Exemption	6(c)

China RoHS

Environment friendly use period (EFUP)	EFUP-50
	An article-related China RoHS declaration table can be found in the download area for the respective article under "Manufacturer declaration". For all articles with EFUP-E, no China RoHS declaration table issued and required.

EU REACH SVHC

REACH candidate substance (CAS No.)	Lead(CAS: 7439-92-1)
SCIP	7cd26bc8-70e2-4b5e-8586-066134993c4b

Phoenix Contact 2026 © - all rights reserved

<https://www.phoenixcontact.com>

Phoenix Contact USA
586 Fulling Mill Road
Middletown, PA 17057, United States
(+717) 944-1300
info@phoenixcon.com