

ST-10KP030 - Crimp contact



1618261

<https://www.phoenixcontact.com/us/products/1618261>

Please be informed that the data shown in this PDF document is generated from our online catalog. Please find the complete data in the user documentation. Our general terms of use for downloads are valid.

Crimp contact, series: ST, Pin, turned



The figure may differ depending on the connection area

Your advantages

- Crimping connection: vibration- and temperature-resistant assembly
- High tensile strength of the connection
- Low contact resistance
- Easy production monitoring

Commercial data

Item number	1618261
Packing unit	100 pc
Minimum order quantity	100 pc
Note	Made to order (non-returnable)
Sales key	AB38
Product key	ABREAD
GTIN	4046356736466
Weight per piece (including packing)	0.31 g
Weight per piece (excluding packing)	0.31 g
Customs tariff number	85389099
Country of origin	DE

ST-10KP030 - Crimp contact



1618261

<https://www.phoenixcontact.com/us/products/1618261>

Technical data

Product properties

Product type	Crimp contact
Series	ST
Contact material type	turned

Connection data

Connection technology

Contact connection type	Pin
-------------------------	-----

Mechanical properties

Mechanical data

Insertion/withdrawal cycles	100
-----------------------------	-----

ST-10KP030 - Crimp contact

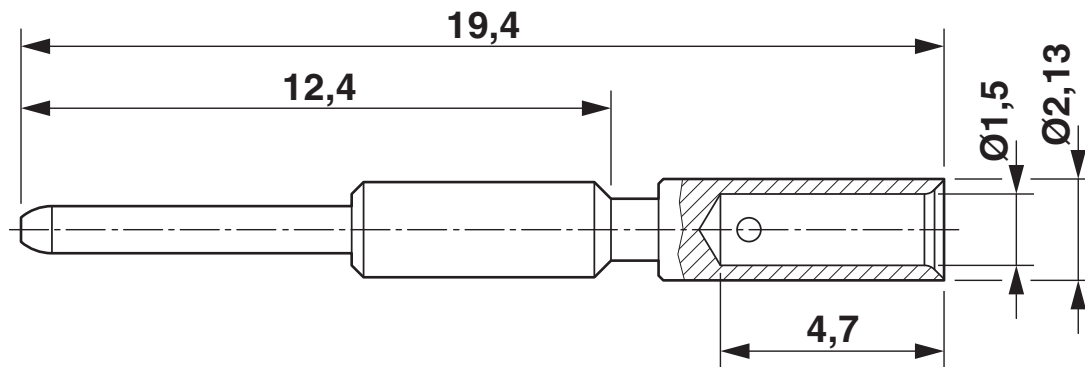


1618261

<https://www.phoenixcontact.com/us/products/1618261>

Drawings

Dimensional drawing



Phoenix Contact 2026 © - all rights reserved
<https://www.phoenixcontact.com>

Phoenix Contact USA
586 Fulling Mill Road
Middletown, PA 17057, United States
(+717) 944-1300
info@phoenixcon.com