

RC-12S2N8AQ3Q9 - Device connector rear mounting



1618140

<https://www.phoenixcontact.com/us/products/1618140>

Please be informed that the data shown in this PDF document is generated from our online catalog. Please find the complete data in the user documentation. Our general terms of use for downloads are valid.



M23, Device connector rear mounting, application: Signal, series: RC, straight, shielded: yes, Screw locking mechanism, No. of pos.: 12, Direction of rotation: Counter direction, contact connection type: Socket, Crimp connection, Axial O-ring, Panel thickness min.: 0.8 mm, Panel thickness max.: 6.5 mm, cable diameter range: 9.5 mm ... 10.5 mm, coding: N

Commercial data

Item number	1618140
Packing unit	12 pc
Minimum order quantity	1 pc
Note	Made to order (non-returnable)
Product key	ABRAFJ
GTIN	4046356878555
Weight per piece (including packing)	109.9 g
Weight per piece (excluding packing)	109.9 g
Country of origin	DE

1618140

<https://www.phoenixcontact.com/us/products/1618140>

Technical data

Notes

Order information:	Order crimp contacts Ø 1 mm separately
--------------------	--

Product properties

Product type	Circular connector (cable-side)
--------------	---------------------------------

Connector

Insulating body

Note	Order information: Order crimp contacts Ø 1 mm separately
Coding	N
Material (Insulating body)	PA 6.6
Connection method	Crimp connection
Contact switching type	Socket
Application	Signal
Number of positions	12
Direction of rotation	Counter direction
Connection profile	12
Number (Contact group 1)	12
Contact diameter (Contact group 1)	1 mm
Rated current Contact (Contact group 1)	8 A (for max. connection cross section)
Rated voltage Contact (Contact group 1)	48 V AC 74 V DC
Rated surge voltage	1.5 kV
Overvoltage category	III
Degree of pollution	3

Housing

Order information:	Order contact inserts and cable clamping/shield accessories separately
Type	Feed-through header
Thread type	M23
Design	straight
Type of locking	Screw locking mechanism
Pg screw connection	none
Mounting type	Rear mounting (Pg13,5)
Assembly note	Central fastening
Degree of protection (plugged in)	IP67
Seal for the device	Axial O-ring

Seal

External cable diameter	9.5 mm ... 10.5 mm
-------------------------	--------------------

RC-12S2N8AQ3Q9 - Device connector rear mounting



1618140

<https://www.phoenixcontact.com/us/products/1618140>

Environmental and real-life conditions

Ambient conditions

Permissible humidity (storage/transport)
--

50 % ... 65 %

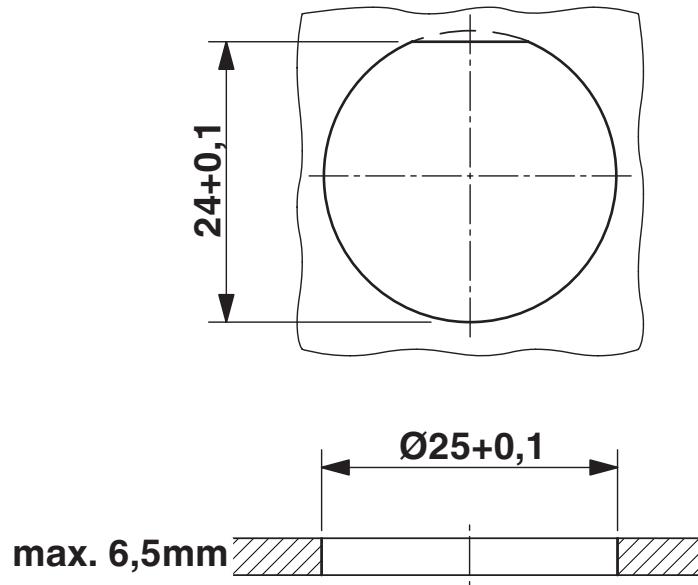
RC-12S2N8AQ3Q9 - Device connector rear mounting

1618140

<https://www.phoenixcontact.com/us/products/1618140>

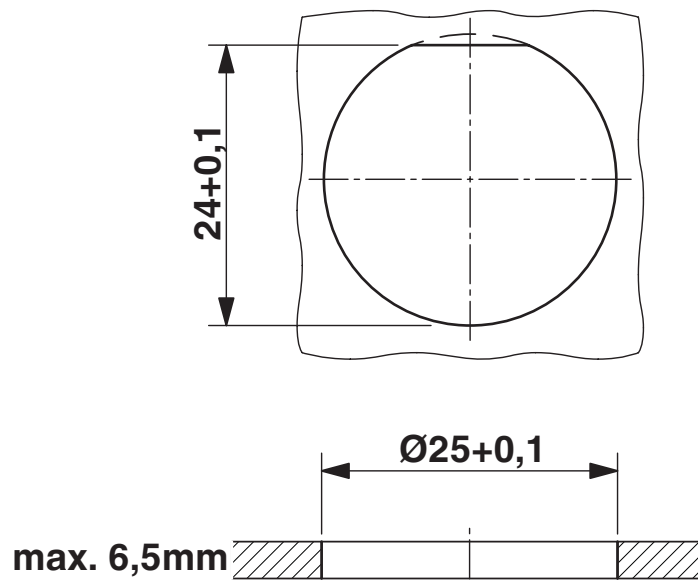
Drawings

Dimensional drawing



Installation dimensions

Dimensional drawing

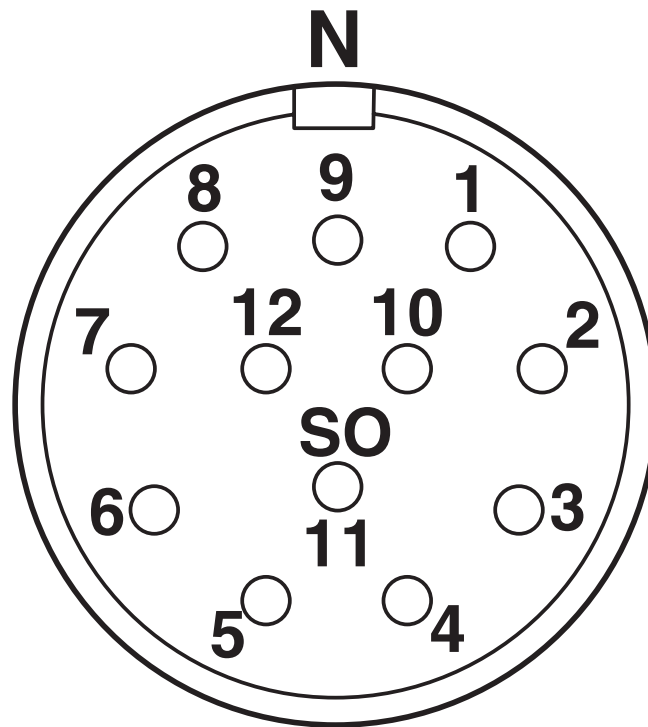


Installation dimensions

1618140

<https://www.phoenixcontact.com/us/products/1618140>

Schematic diagram

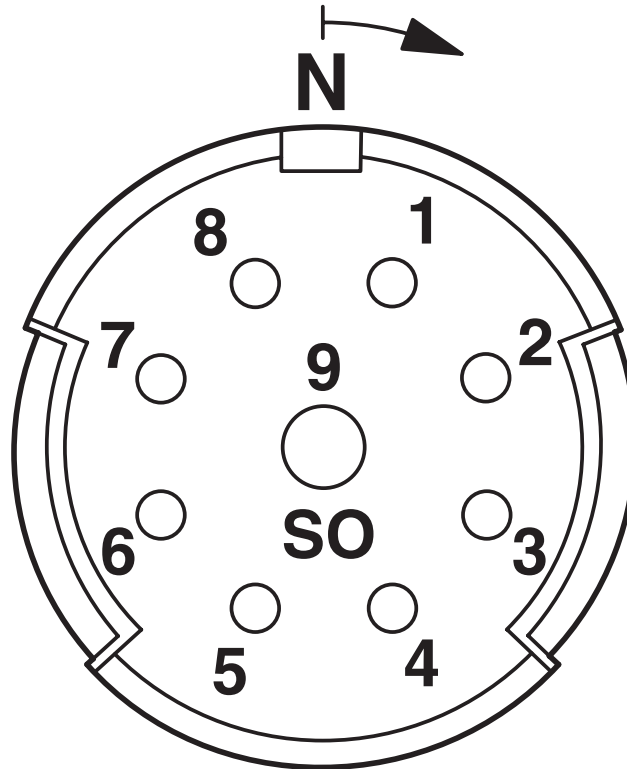


Connector pin assignment

1618140

<https://www.phoenixcontact.com/us/products/1618140>

Schematic diagram



Connector pin assignment

RC-12S2N8AQ3Q9 - Device connector rear mounting



1618140

<https://www.phoenixcontact.com/us/products/1618140>

Classifications

ECLASS

ECLASS-13.0

27440116

UNSPSC

UNSPSC 21.0

39121400

1618140

<https://www.phoenixcontact.com/us/products/1618140>

Environmental product compliance

EU RoHS

Fulfills EU RoHS substance requirements	Yes
Exemption	6(c)

China RoHS

Environment friendly use period (EFUP)	EFUP-50
	An article-related China RoHS declaration table can be found in the download area for the respective article under "Manufacturer declaration". For all articles with EFUP-E, no China RoHS declaration table issued and required.

EU REACH SVHC

REACH candidate substance (CAS No.)	Lead(CAS: 7439-92-1)
SCIP	334486c8-3422-41d4-b743-9b9cdf85def5

Phoenix Contact 2026 © - all rights reserved

<https://www.phoenixcontact.com>

Phoenix Contact USA
586 Fulling Mill Road
Middletown, PA 17057, United States
(+717) 944-1300
info@phoenixcon.com