

ST-8ES1N8AAE00S - Device connector front mounting



1618134

<https://www.phoenixcontact.com/us/products/1618134>

Please be informed that the data shown in this PDF document is generated from our online catalog. Please find the complete data in the user documentation. Our general terms of use for downloads are valid.



The figure shows the 4-pos.
(3+PE) product version

Device connector front mounting, application: Power, angled rotatable, SPEEDCON, M17, number of positions: 5+3+PE, contact connection type: Socket, Axial O-ring, 4x Ø 3.2, shielded: yes, flange dimensions: 25 mm x 25 mm, number of positions: 9, connection method: Crimp connection, series: ST

Commercial data

Item number	1618134
Packing unit	16 pc
Minimum order quantity	1 pc
Note	Made to order (non-returnable)
Product key	ABRBEM
GTIN	4046356580731
Weight per piece (including packing)	63.27 g
Weight per piece (excluding packing)	63.27 g
Country of origin	DE

1618134

<https://www.phoenixcontact.com/us/products/1618134>

Technical data

Notes

Order information:	Order crimp contacts 5 x 0.6 mm, 4 x Ø 1 mm separately
--------------------	--

Product properties

Product type	Circular connectors (device side)
Series	ST
Application	Power
Number of positions	9
Connection profile	5+3+PE
Shielded	yes
Coding	N
Thread type	M17

Dimensions

Housing

Flange dimensions	25 mm x 25 mm
-------------------	---------------

Material specifications

Seal material	FPM
Housing material	Metal

Electrical properties

Contact: Contact group 1

Contact diameter	1 mm
Nominal current I_N	14 A
Nominal voltage U_N	630 V
Overvoltage category	III
Degree of pollution	3
Rated surge voltage	6 kV

Contact: Contact group 2

Contact diameter	0.6 mm
Nominal current I_N	3.6 A
Nominal voltage U_N	60 V
Overvoltage category	III
Degree of pollution	3
Rated surge voltage	1.5 kV

Connection data

Conductor connection

Connection method	Crimp connection
-------------------	------------------

ST-8ES1N8AAE00S - Device connector front mounting



1618134

<https://www.phoenixcontact.com/us/products/1618134>

Contact connection type	Socket
-------------------------	--------

Connector

Type	angled rotatable
Direction of rotation	Standard

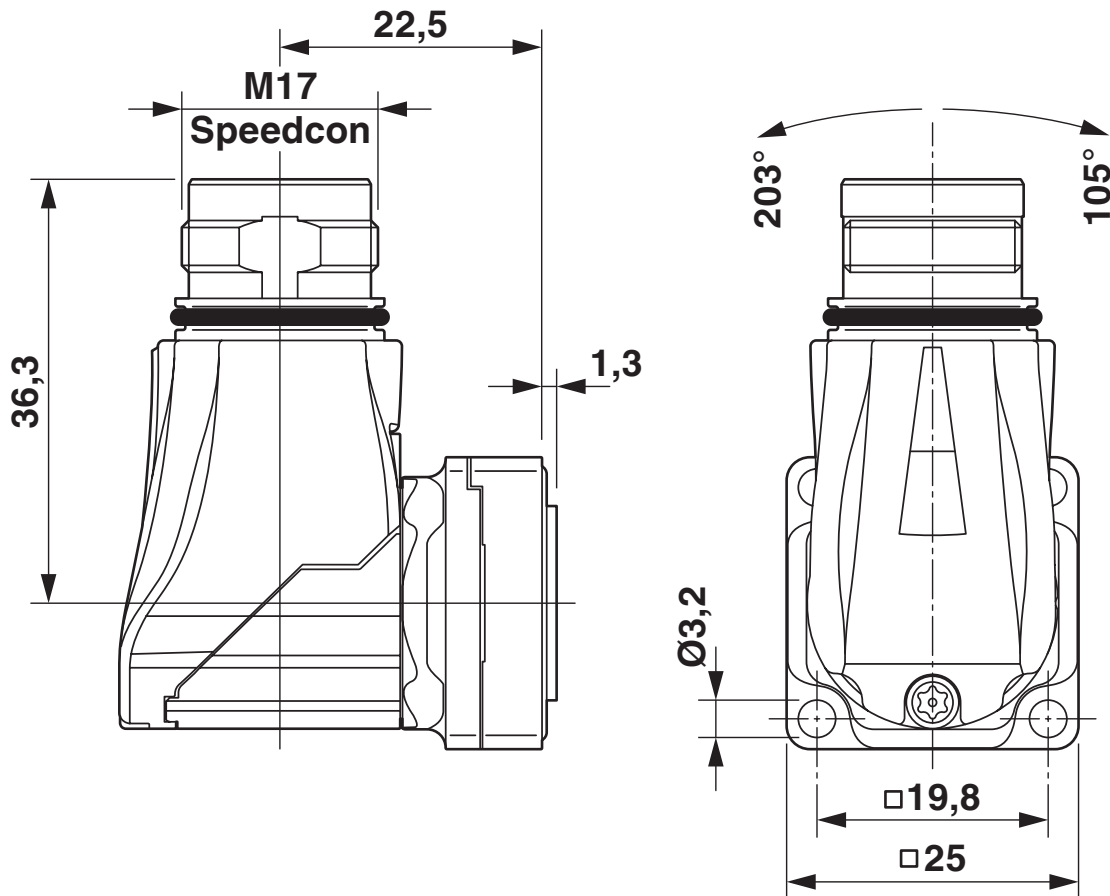
Environmental and real-life conditions

Ambient conditions

Degree of protection	IP67
Ambient temperature (operation)	-40 °C ... 125 °C
Altitude	2000 m

Drawings

Dimensional drawing

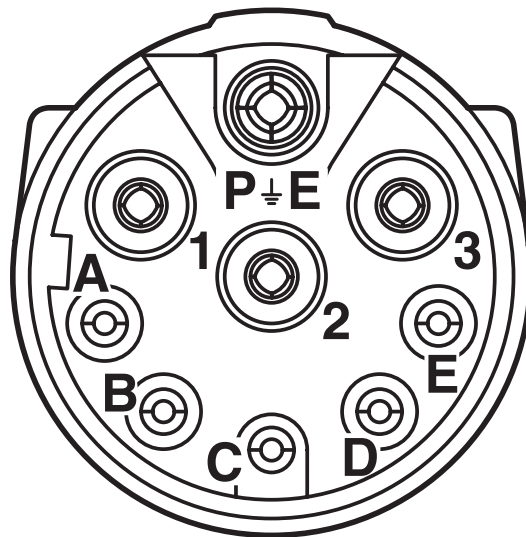


Dimensional drawing

1618134

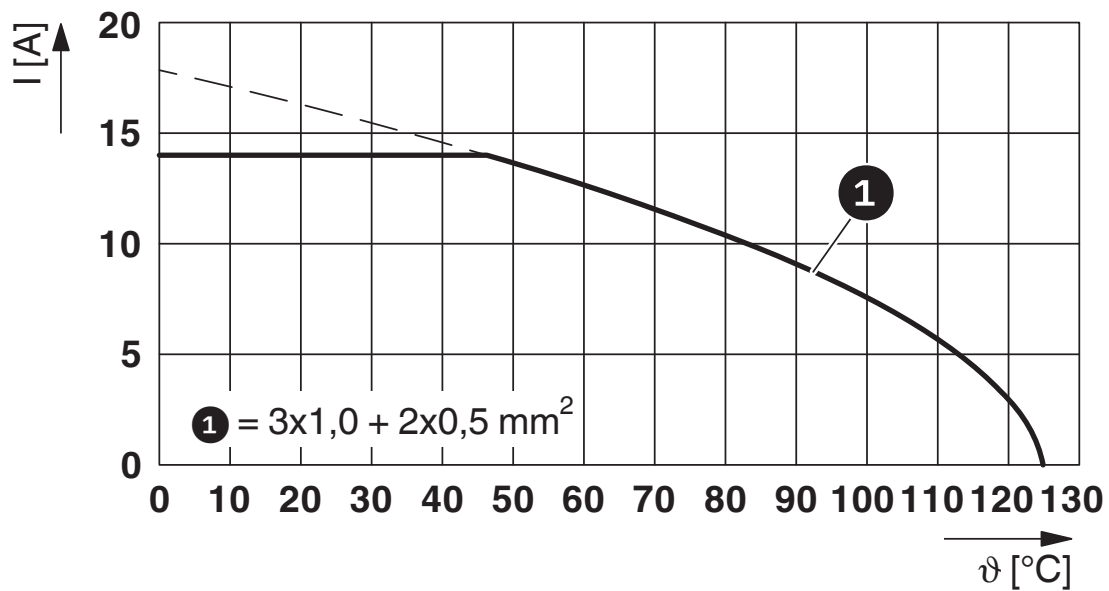
<https://www.phoenixcontact.com/us/products/1618134>

Schematic diagram



Connector pin assignment

Diagram



I = current strength, ϑ = ambient temperature, 3x 14 A + 2x 2 A constant

1618134

<https://www.phoenixcontact.com/us/products/1618134>

Environmental product compliance

EU RoHS

Fulfills EU RoHS substance requirements	Yes, No exemptions
---	--------------------

China RoHS

Environment friendly use period (EFUP)	EFUP-50
	An article-related China RoHS declaration table can be found in the download area for the respective article under "Manufacturer declaration". For all articles with EFUP-E, no China RoHS declaration table issued and required.

EU REACH SVHC

REACH candidate substance (CAS No.)	No substance above 0.1 wt%
-------------------------------------	----------------------------

Phoenix Contact 2026 © - all rights reserved

<https://www.phoenixcontact.com>

Phoenix Contact USA
586 Fulling Mill Road
Middletown, PA 17057, United States
(+717) 944-1300
info@phoenixcon.com