

ST-7ES1N8AAE00S - Device connector front mounting



1618132

<https://www.phoenixcontact.com/us/products/1618132>

Please be informed that the data shown in this PDF document is generated from our online catalog. Please find the complete data in the user documentation. Our general terms of use for downloads are valid.



The figure shows the 4-pos.
(3+PE) product version

Device connector front mounting, application: Power, angled rotatable, SPEEDCON, M17, number of positions: 7+PE, contact connection type: Socket, Axial O-ring, 4x Ø 3.2, shielded: yes, flange dimensions: 25 mm x 25 mm, number of positions: 8, connection method: Crimp connection, series: ST

Commercial data

| | |
|--------------------------------------|--------------------------------|
| Item number | 1618132 |
| Packing unit | 16 pc |
| Minimum order quantity | 1 pc |
| Note | Made to order (non-returnable) |
| Product key | ABRBEM |
| GTIN | 4046356580724 |
| Weight per piece (including packing) | 63.12 g |
| Weight per piece (excluding packing) | 63.12 g |
| Country of origin | DE |

1618132

<https://www.phoenixcontact.com/us/products/1618132>

Technical data

Notes

| | |
|--------------------|--|
| Order information: | Order crimp contacts Ø 1 mm separately |
|--------------------|--|

Product properties

| | |
|---------------------|-----------------------------------|
| Product type | Circular connectors (device side) |
| Series | ST |
| Application | Power |
| Number of positions | 8 |
| Connection profile | 7+PE |
| Shielded | yes |
| Coding | N |
| Thread type | M17 |

Dimensions

Housing

| | |
|-------------------|---------------|
| Flange dimensions | 25 mm x 25 mm |
|-------------------|---------------|

Material specifications

| | |
|------------------|-------|
| Seal material | FPM |
| Housing material | Metal |

Electrical properties

Contact: Contact group 1

| | |
|-----------------------|-------|
| Contact diameter | 1 mm |
| Nominal current I_N | 14 A |
| Nominal voltage U_N | 630 V |
| Overvoltage category | III |
| Degree of pollution | 3 |
| Rated surge voltage | 6 kV |

Contact: Contact group 2

| | |
|------------------|------|
| Contact diameter | 1 mm |
|------------------|------|

Connection data

Conductor connection

| | |
|-------------------------|------------------|
| Connection method | Crimp connection |
| Contact connection type | Socket |

Connector

| | |
|-----------------------|------------------|
| Type | angled rotatable |
| Direction of rotation | Standard |

1618132

<https://www.phoenixcontact.com/us/products/1618132>

Environmental and real-life conditions

Ambient conditions

| | |
|---------------------------------|-------------------|
| Degree of protection | IP67 |
| Ambient temperature (operation) | -40 °C ... 125 °C |
| Altitude | 2000 m |

ST-7ES1N8AAE00S - Device connector front mounting

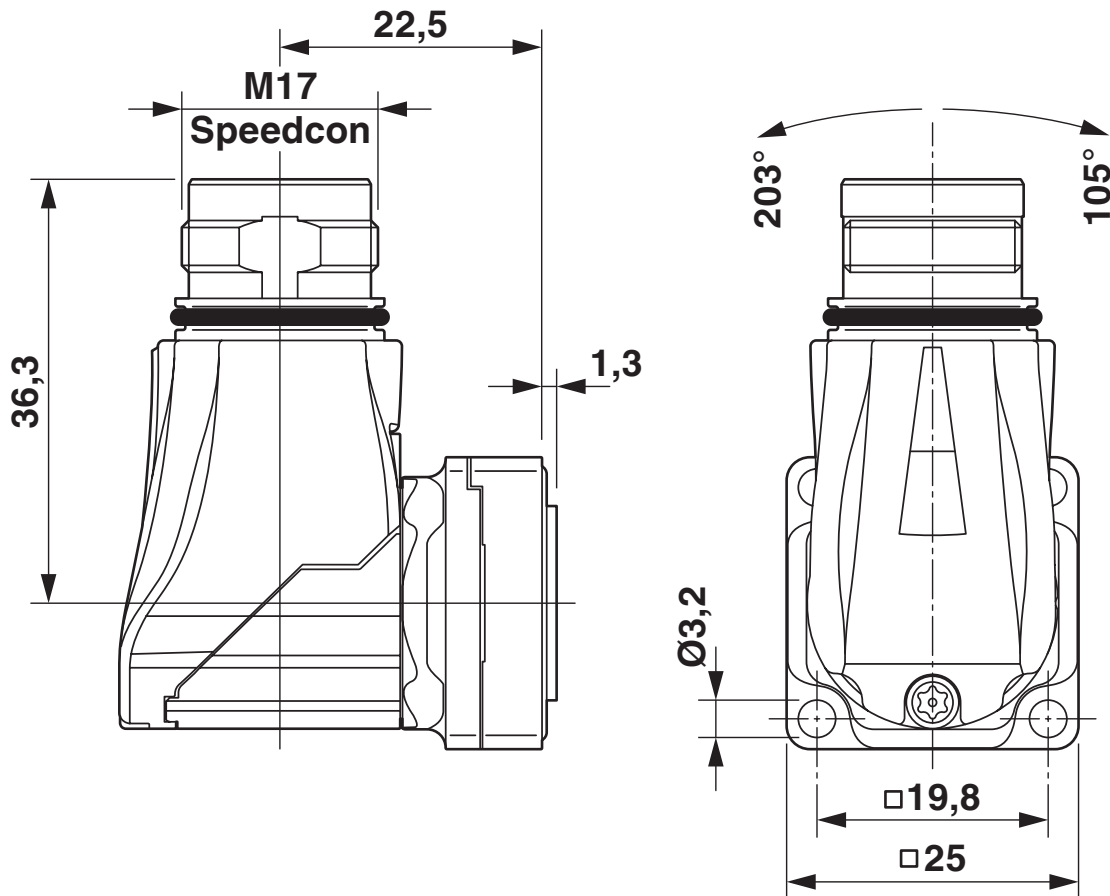


1618132

<https://www.phoenixcontact.com/us/products/1618132>

Drawings

Dimensional drawing

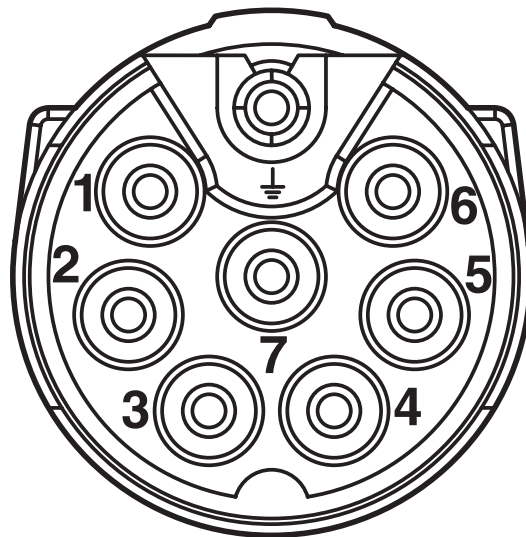


Dimensional drawing

1618132

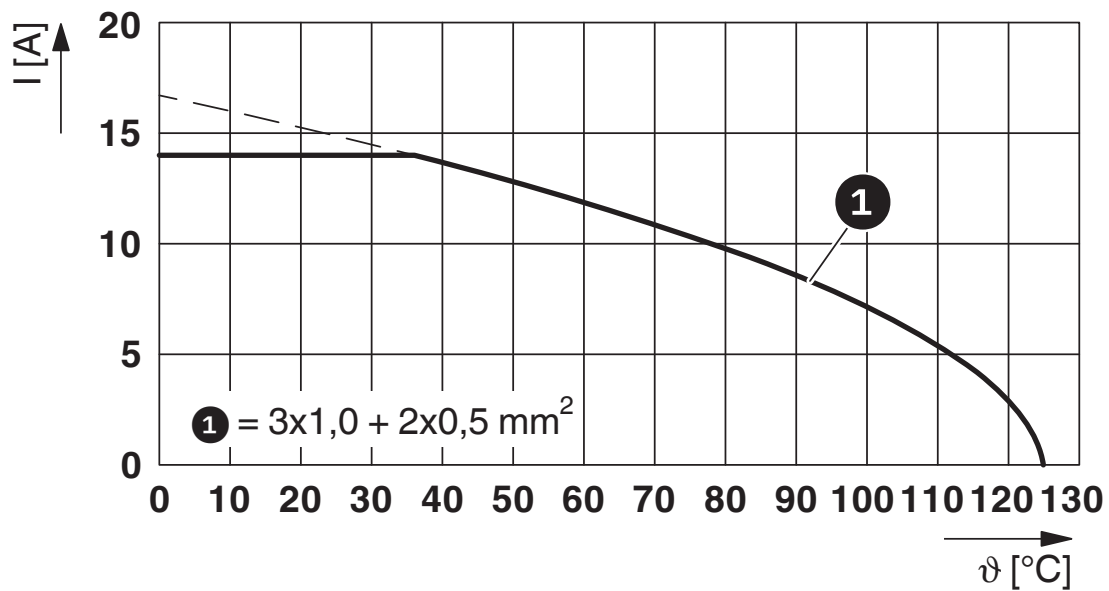
<https://www.phoenixcontact.com/us/products/1618132>

Schematic diagram



Connector pin assignment

Diagram



I = current strength, ϑ = ambient temperature, 3x 14 A + 2x 2 A constant

1618132

<https://www.phoenixcontact.com/us/products/1618132>

Environmental product compliance

EU RoHS

| | |
|---|--------------------|
| Fulfills EU RoHS substance requirements | Yes, No exemptions |
|---|--------------------|

China RoHS

| | |
|--|---|
| Environment friendly use period (EFUP) | EFUP-50 |
| | An article-related China RoHS declaration table can be found in the download area for the respective article under "Manufacturer declaration". For all articles with EFUP-E, no China RoHS declaration table issued and required. |

EU REACH SVHC

| | |
|-------------------------------------|----------------------------|
| REACH candidate substance (CAS No.) | No substance above 0.1 wt% |
|-------------------------------------|----------------------------|

Phoenix Contact 2026 © - all rights reserved

<https://www.phoenixcontact.com>

Phoenix Contact USA
586 Fulling Mill Road
Middletown, PA 17057, United States
(+717) 944-1300
info@phoenixcon.com