

# ST-3ES1N8AAE00S - Device connector front mounting



1618126

<https://www.phoenixcontact.com/us/products/1618126>

Please be informed that the data shown in this PDF document is generated from our online catalog. Please find the complete data in the user documentation. Our general terms of use for downloads are valid.



Device connector front mounting, application: Power, angled rotatable, SPEEDCON, M17, number of positions: 3+PE, contact connection type: Socket, Axial O-ring, 4x Ø 3.2, shielded: yes, flange dimensions: 25 mm x 25 mm, number of positions: 4, connection method: Crimp connection, series: ST

## Commercial data

|                                      |                                |
|--------------------------------------|--------------------------------|
| Item number                          | 1618126                        |
| Packing unit                         | 16 pc                          |
| Minimum order quantity               | 1 pc                           |
| Note                                 | Made to order (non-returnable) |
| Product key                          | ABRBEM                         |
| GTIN                                 | 4046356580694                  |
| Weight per piece (including packing) | 63.2 g                         |
| Weight per piece (excluding packing) | 63.2 g                         |
| Country of origin                    | DE                             |

## Technical data

### Notes

|                    |  |
|--------------------|--|
| Order information: | Order crimp contacts Ø 2 mm separately |
|--------------------|--|

### Product properties

|                     |                                   |
|---------------------|-----------------------------------|
| Product type        | Circular connectors (device side) |
| Series              | ST                                |
| Application         | Power                             |
| Number of positions | 4                                 |
| Connection profile  | 3+PE                              |
| Shielded            | yes                               |
| Coding              | N                                 |
| Thread type         | M17                               |

### Dimensions

#### Housing

|                   |               |
|-------------------|---------------|
| Flange dimensions | 25 mm x 25 mm |
|-------------------|---------------|

### Material specifications

|                  |       |
|------------------|-------|
| Seal material    | FPM   |
| Housing material | Metal |

### Electrical properties

#### Contact: Contact group 1

|                       |       |
|-----------------------|-------|
| Contact diameter      | 2 mm  |
| Nominal current $I_N$ | 20 A  |
| Nominal voltage $U_N$ | 630 V |
| Overvoltage category  | III   |
| Degree of pollution   | 3     |
| Rated surge voltage   | 6 kV  |

#### Contact: Contact group 2

|                  |      |
|------------------|------|
| Contact diameter | 2 mm |
|------------------|------|

### Connection data

#### Conductor connection

|                         |                  |
|-------------------------|------------------|
| Connection method       | Crimp connection |
| Contact connection type | Socket           |

### Connector

|                       |                  |
|-----------------------|------------------|
| Type                  | angled rotatable |
| Direction of rotation | Standard         |

# ST-3ES1N8AAE00S - Device connector front mounting



1618126

<https://www.phoenixcontact.com/us/products/1618126>

## Environmental and real-life conditions

### Ambient conditions

|                                 |                   |
|---------------------------------|-------------------|
| Degree of protection            | IP67              |
| Ambient temperature (operation) | -40 °C ... 125 °C |
| Altitude                        | 3000 m            |

# ST-3ES1N8AAE00S - Device connector front mounting

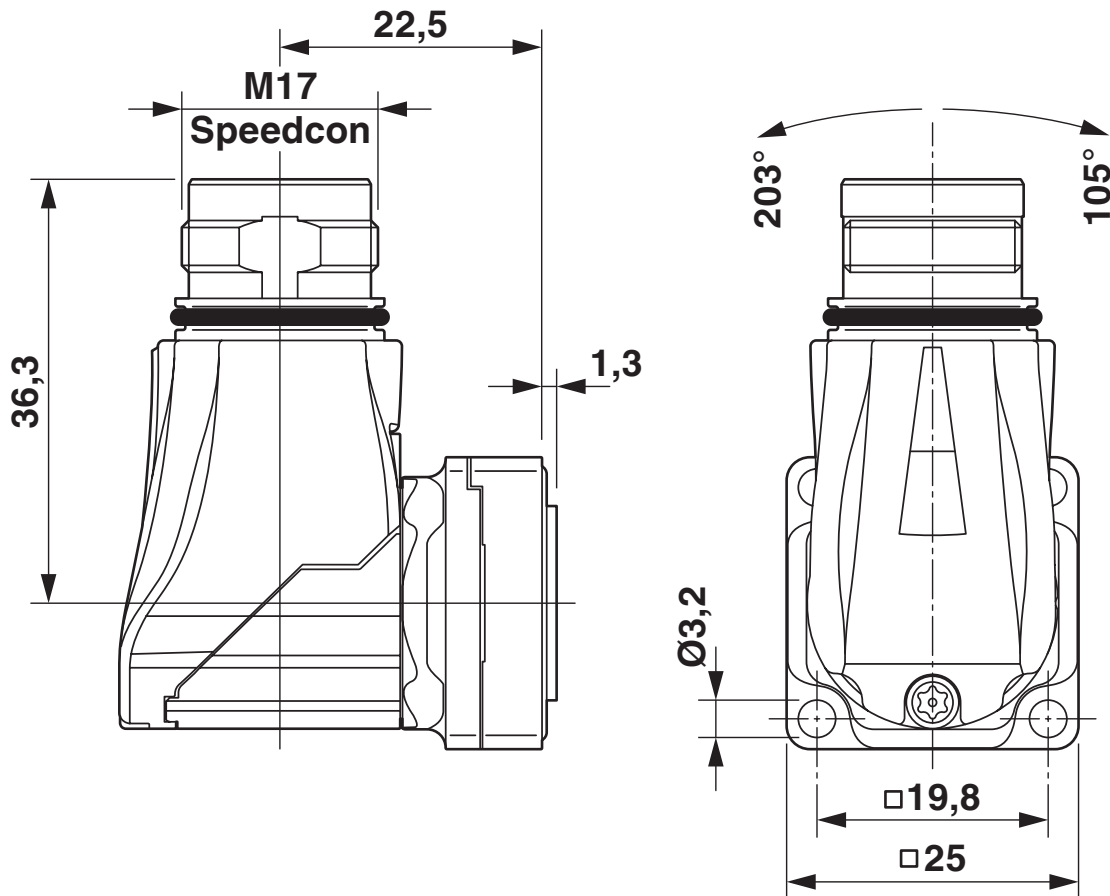


1618126

<https://www.phoenixcontact.com/us/products/1618126>

## Drawings

Dimensional drawing

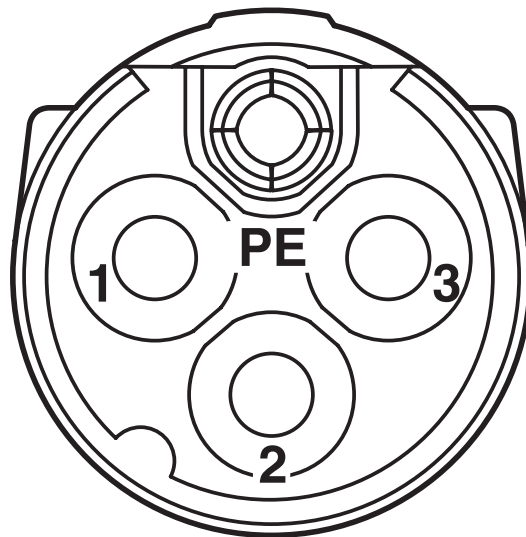


Dimensional drawing

1618126

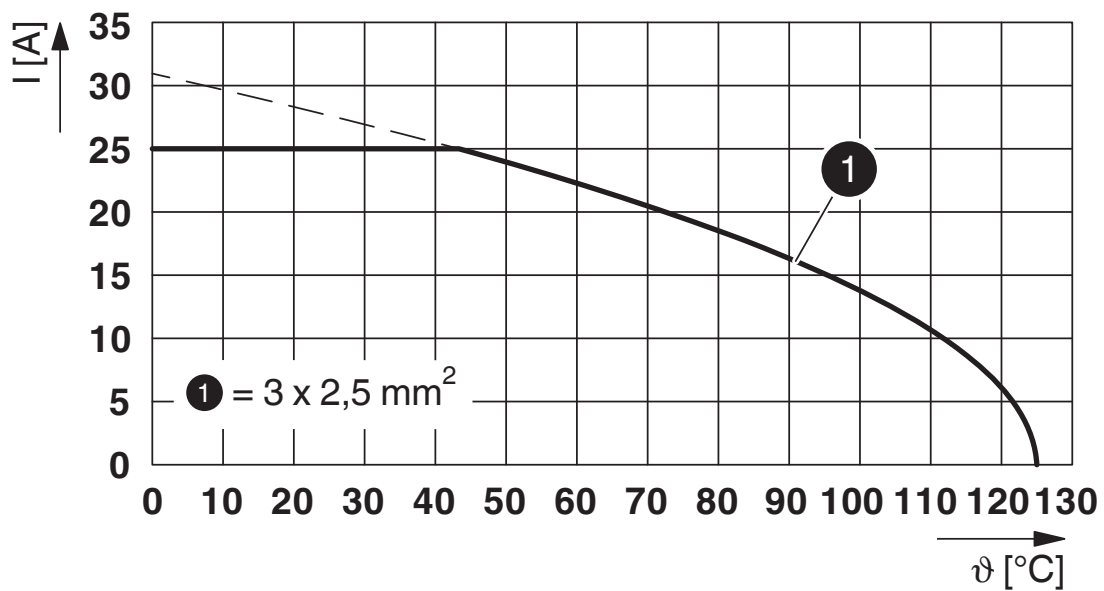
<https://www.phoenixcontact.com/us/products/1618126>

Schematic diagram



Connector pin assignment

Diagram



$I$  = current strength,  $\vartheta$  = ambient temperature, 3x 25 A

1618126

<https://www.phoenixcontact.com/us/products/1618126>

## Environmental product compliance

### EU RoHS

|   |                    |
|---|--------------------|
| Fulfills EU RoHS substance requirements | Yes, No exemptions |
|---|--------------------|

### China RoHS

|  |   |
|--|---|
| Environment friendly use period (EFUP) | EFUP-50   |
|  | An article-related China RoHS declaration table can be found in the download area for the respective article under "Manufacturer declaration". For all articles with EFUP-E, no China RoHS declaration table issued and required. |

### EU REACH SVHC

|                                     |                            |
|-------------------------------------|----------------------------|
| REACH candidate substance (CAS No.) | No substance above 0.1 wt% |
|-------------------------------------|----------------------------|

Phoenix Contact 2026 © - all rights reserved

<https://www.phoenixcontact.com>

Phoenix Contact USA  
586 Fulling Mill Road  
Middletown, PA 17057, United States  
(+717) 944-1300  
[info@phoenixcon.com](mailto:info@phoenixcon.com)