

ST-17P1N8AAE00S - Device connector front mounting



1618123

<https://www.phoenixcontact.com/us/products/1618123>

Please be informed that the data shown in this PDF document is generated from our online catalog. Please find the complete data in the user documentation. Our general terms of use for downloads are valid.



Device connector front mounting, application: Feedback, signal, angled rotatable, SPEEDCON, M17, number of positions: 17, contact connection type: Pin, Axial O-ring, 4x Ø 3.2, shielded: yes, flange dimensions: 25 mm x 25 mm, number of positions: 17, connection method: Crimp connection, series: ST

Commercial data

Item number	1618123
Packing unit	16 pc
Minimum order quantity	1 pc
Note	Made to order (non-returnable)
Product key	ABRACM
GTIN	4046356580991
Weight per piece (including packing)	63.9 g
Weight per piece (excluding packing)	63.9 g
Country of origin	DE

1618123

<https://www.phoenixcontact.com/us/products/1618123>

Technical data

Notes

Order information:	Order crimp contacts Ø 0.6 mm separately
--------------------	--

Product properties

Product type	Circular connectors (device side)
Series	ST
Application	Feedback, signal Signal
Number of positions	17
Connection profile	17
Shielded	yes
Coding	N
Thread type	M17

Dimensions

Housing

Flange dimensions	25 mm x 25 mm
-------------------	---------------

Material specifications

Seal material	FPM
Housing material	Metal

Electrical properties

Contact

Nominal current I_N	3.6 A
Nominal voltage U_N	60 V
Overvoltage category	II
Degree of pollution	3
Rated surge voltage	1.5 kV

Connection data

Conductor connection

Connection method	Crimp connection
Contact connection type	Pin

Connector

Type	angled rotatable
Direction of rotation	Standard

Environmental and real-life conditions

ST-17P1N8AAE00S - Device connector front mounting



1618123

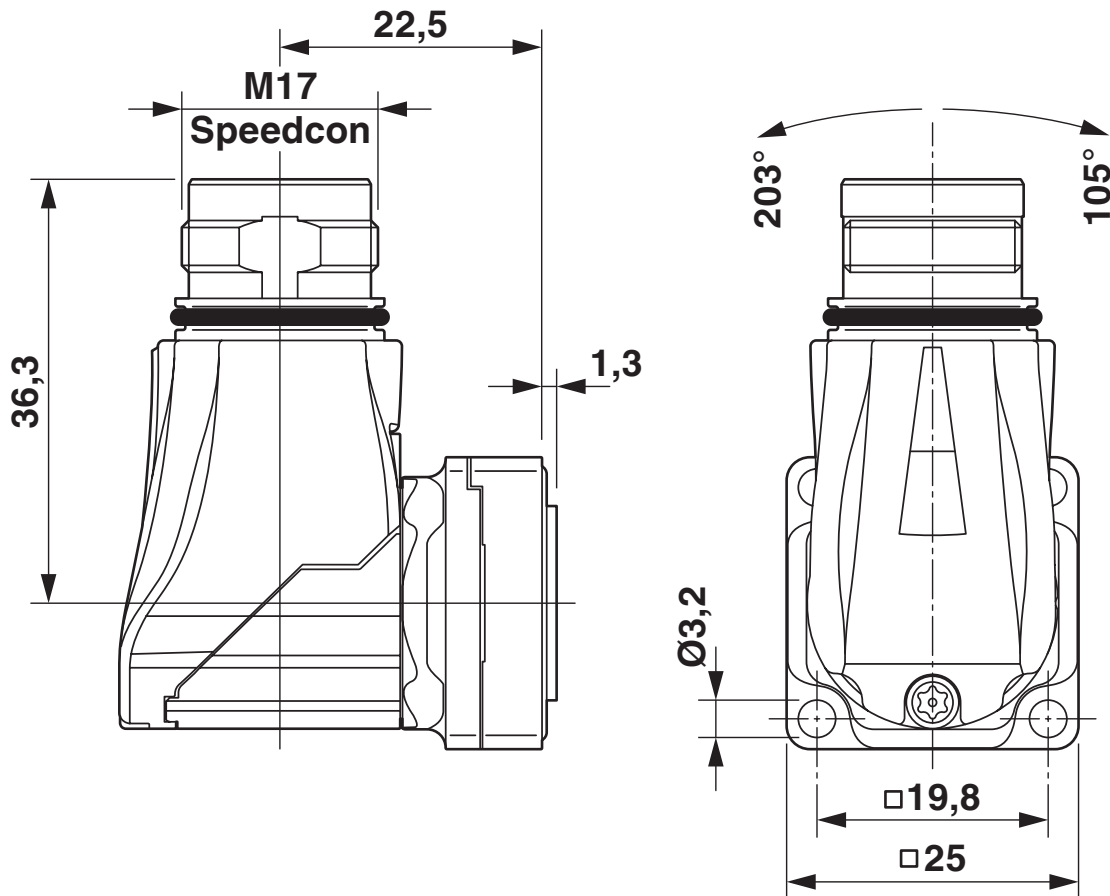
<https://www.phoenixcontact.com/us/products/1618123>

Ambient conditions

Degree of protection	IP67
Ambient temperature (operation)	-40 °C ... 125 °C
Altitude	3000 m

Drawings

Dimensional drawing

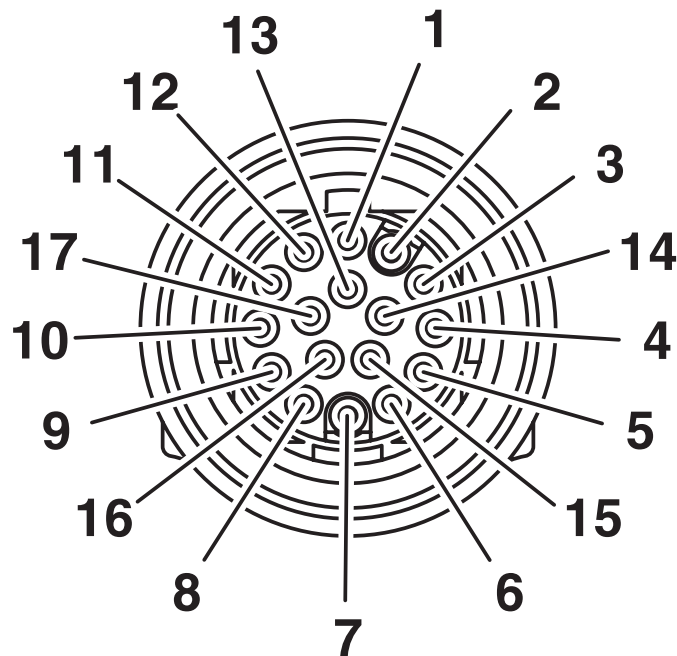


Dimensional drawing

1618123

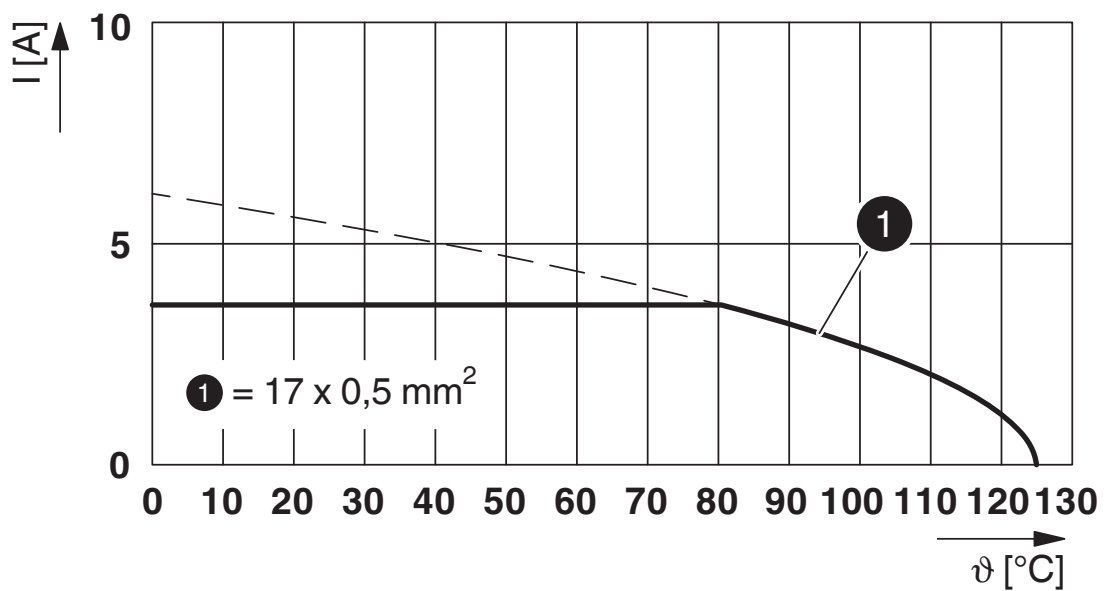
<https://www.phoenixcontact.com/us/products/1618123>

Schematic diagram



Connector pin assignment

Diagram



I = current strength, ϑ = ambient temperature, $17 \times 3.6 \text{ A}$

1618123

<https://www.phoenixcontact.com/us/products/1618123>

Environmental product compliance

China RoHS

Environment friendly use period (EFUP)	EFUP-50
	An article-related China RoHS declaration table can be found in the download area for the respective article under "Manufacturer declaration". For all articles with EFUP-E, no China RoHS declaration table issued and required.

EU REACH SVHC

REACH candidate substance (CAS No.)	No substance above 0.1 wt%
-------------------------------------	----------------------------

Phoenix Contact 2026 © - all rights reserved
<https://www.phoenixcontact.com>

Phoenix Contact USA
586 Fulling Mill Road
Middletown, PA 17057, United States
(+717) 944-1300
info@phoenixcon.com