

RC-06S1N8AQ0E2 - Rear panel feed-through



1618083

<https://www.phoenixcontact.com/us/products/1618083>

Please be informed that the data shown in this PDF document is generated from our online catalog. Please find the complete data in the user documentation. Our general terms of use for downloads are valid.



M23, Rear panel feed-through, application: Signal, series: RC, straight, shielded: yes, No. of pos.: 6, Direction of rotation: Standard, contact connection type: Socket, Crimp connection, Axial O-ring, cable diameter range: 5.5 mm ... 6.5 mm, coding: N. This product is in the process of being discontinued. This product must no longer be considered for new projects. Please contact your sales representative for alternatives.

The figure shows the product with assembled crimp contacts. Please order crimp contacts separately.

Commercial data

Item number	1618083
Packing unit	12 pc
Minimum order quantity	1 pc
Note	Made to order (non-returnable)
Product key	ABRAFJ
GTIN	4046356982931
Weight per piece (including packing)	103.25 g
Weight per piece (excluding packing)	94.343 g
Country of origin	DE

RC-06S1N8AQ0E2 - Rear panel feed-through



1618083

<https://www.phoenixcontact.com/us/products/1618083>

Technical data

Notes

Order information:	Order crimp contacts Ø 2 mm separately
--------------------	--

Product properties

Product type	Circular connectors (device side)
--------------	-----------------------------------

Connector

Insulating body

Note	Order information: Order crimp contacts Ø 2 mm separately
Coding	N
Material (Insulating body)	PA 6.6
Connection method	Crimp connection
Contact switching type	Socket
Application	Signal
Number of positions	6
Direction of rotation	Standard
Connection profile	6
Number (Contact group 1)	6
Contact diameter (Contact group 1)	2 mm
Rated current Contact (Contact group 1)	20 A (for max. connection cross section)
Rated voltage Contact (Contact group 1)	48 V AC 74 V DC
Rated surge voltage	1.5 kV
Overvoltage category	III
Degree of pollution	3

Housing

Type	Feed-through header
Thread type	M23
Design	straight
Mounting type	Rear mounting
Assembly note	Central fastening
Material (Housing)	GD-Zn
Material (Housing surface)	Ni
Material (Rotating parts)	CuZn
Degree of protection (plugged in)	IP67
Seal for the device	Axial O-ring

Seal

External cable diameter	5.5 mm ... 6.5 mm
Seal material	NBR

RC-06S1N8AQ0E2 - Rear panel feed-through



1618083

<https://www.phoenixcontact.com/us/products/1618083>

Environmental and real-life conditions

Ambient conditions

Permissible humidity (storage/transport)
--

50 % ... 65 %

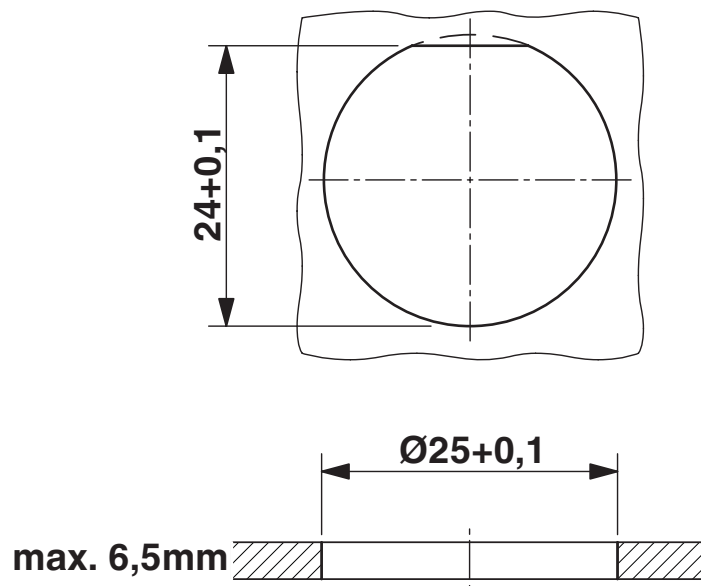
RC-06S1N8AQ0E2 - Rear panel feed-through

1618083

<https://www.phoenixcontact.com/us/products/1618083>

Drawings

Dimensional drawing



Installation dimensions

RC-06S1N8AQ0E2 - Rear panel feed-through

1618083

<https://www.phoenixcontact.com/us/products/1618083>

Schematic diagram



Connector pin assignment

RC-06S1N8AQ0E2 - Rear panel feed-through



1618083

<https://www.phoenixcontact.com/us/products/1618083>

Classifications

ECLASS

ECLASS-13.0	27440109
ECLASS-15.0	27440109

ETIM

ETIM 10.0	EC003569
-----------	----------

UNSPSC

UNSPSC 21.0	39121400
-------------	----------

RC-06S1N8AQ0E2 - Rear panel feed-through



1618083

<https://www.phoenixcontact.com/us/products/1618083>

Environmental product compliance

EU RoHS

Fulfills EU RoHS substance requirements	Yes
Exemption	6(c)

China RoHS

Environment friendly use period (EFUP)	EFUP-50
	An article-related China RoHS declaration table can be found in the download area for the respective article under "Manufacturer declaration". For all articles with EFUP-E, no China RoHS declaration table issued and required.

EU REACH SVHC

REACH candidate substance (CAS No.)	Lead(CAS: 7439-92-1)
SCIP	eceba806-d03b-465b-828e-6286b89a929c

Phoenix Contact 2026 © - all rights reserved

<https://www.phoenixcontact.com>

Phoenix Contact USA
586 Fulling Mill Road
Middletown, PA 17057, United States
(+717) 944-1300
info@phoenixcon.com