

ST-08P1N8ACK05S - Panel feed-through



1617933

<https://www.phoenixcontact.com/us/products/1617933>

Please be informed that the data shown in this PDF document is generated from our online catalog. Please find the complete data in the user documentation. Our general terms of use for downloads are valid.



Panel feed-through, application: Signal, straight, SPEEDCON, M17, number of positions: 8, contact connection type: Pin, Flat gasket, 4x Ø 3.2, shielded: yes, flange dimensions: 25.75 mm x 25.75 mm, cable diameter range: 11 mm ... 12.7 mm, number of positions: 8, connection method: Crimp connection, series: ST

Commercial data

Item number	1617933
Packing unit	30 pc
Minimum order quantity	1 pc
Note	Made to order (non-returnable)
Product key	ABRADJ
GTIN	4046356708913
Weight per piece (including packing)	116.9 g
Weight per piece (excluding packing)	111.11 g
Country of origin	DE

ST-08P1N8ACK05S - Panel feed-through



1617933

<https://www.phoenixcontact.com/us/products/1617933>

Technical data

Notes

Order information:	Order crimp contacts Ø 1 mm separately
--------------------	----------------------------------------

Product properties

Product type	Circular connectors (device side)
Series	ST
Application	Signal
Number of positions	8
Connection profile	8
Shielded	yes
Coding	N
Thread type	M17

Dimensions

Housing

Flange dimensions	25.75 mm x 25.75 mm
-------------------	---------------------

Material specifications

Seal material	FPM
Housing material	Metal

Electrical properties

Contact

Contact diameter	1 mm
Nominal current I_N	3.6 A
Nominal voltage U_N	60 V
Overvoltage category	II
Degree of pollution	3
Rated surge voltage	1.5 kV

Connection data

Conductor connection

Connection method	Crimp connection
Contact connection type	Pin

Connector

Type	straight
Direction of rotation	Standard

Cable/line

External cable diameter	11 mm ... 12.7 mm
-------------------------	-------------------

ST-08P1N8ACK05S - Panel feed-through



1617933

<https://www.phoenixcontact.com/us/products/1617933>

Environmental and real-life conditions

Ambient conditions

Degree of protection	IP67
Ambient temperature (operation)	-40 °C ... 125 °C
Altitude	3000 m

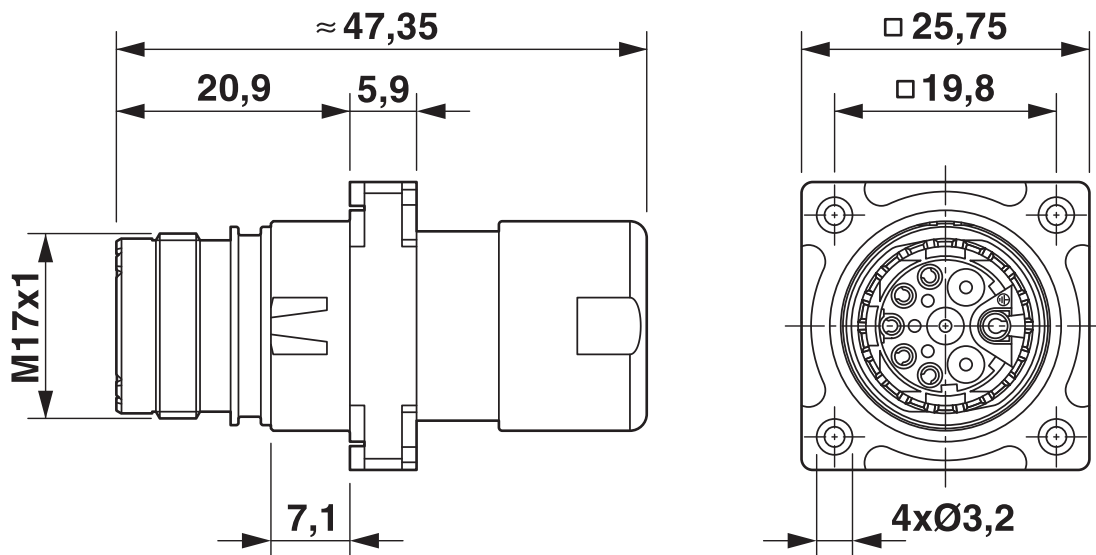
ST-08P1N8ACK05S - Panel feed-through

1617933

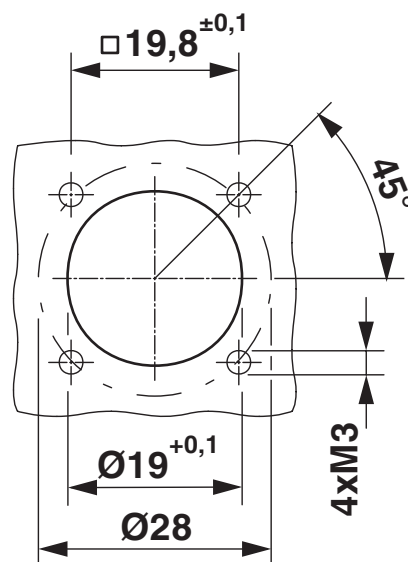
<https://www.phoenixcontact.com/us/products/1617933>

Drawings

Dimensional drawing



Dimensional drawing

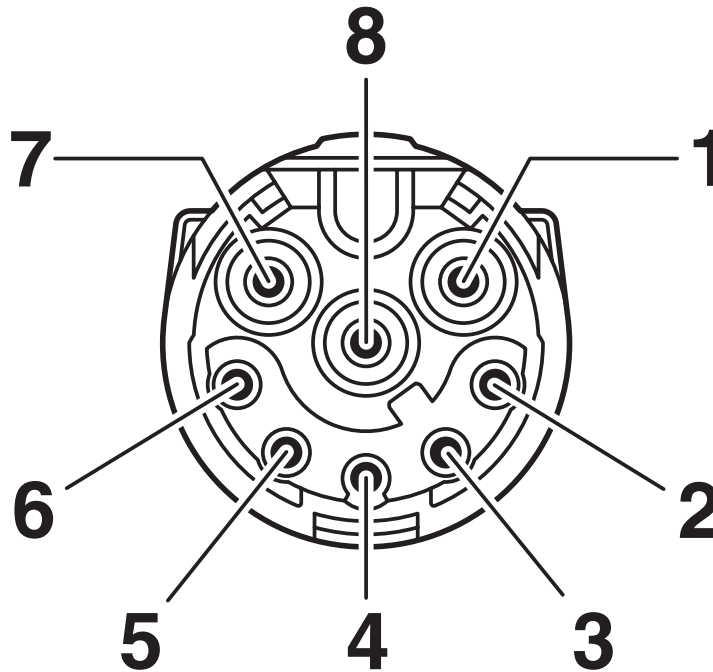


ST-08P1N8ACK05S - Panel feed-through

1617933

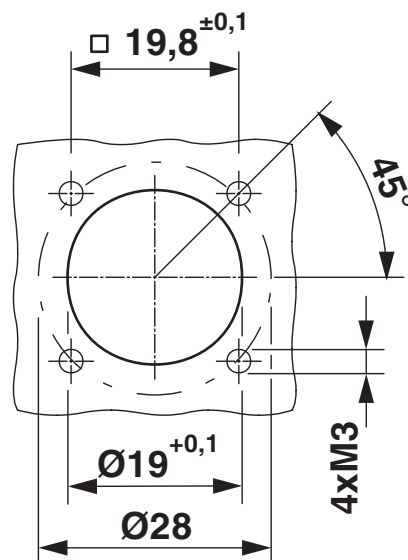
<https://www.phoenixcontact.com/us/products/1617933>

Schematic diagram



Connector pin assignment

Schematic diagram



Installation dimensions

ST-08P1N8ACK05S - Panel feed-through



1617933

<https://www.phoenixcontact.com/us/products/1617933>

Environmental product compliance

China RoHS

Environment friendly use period (EFUP)	EFUP-50 An article-related China RoHS declaration table can be found in the download area for the respective article under "Manufacturer declaration". For all articles with EFUP-E, no China RoHS declaration table issued and required.
----------------------------------------	----------------------------------------------------------------------------------------------------------------------------------------------------------------------------------------------------------------------------------------------

EU REACH SVHC

REACH candidate substance (CAS No.)	No substance above 0.1 wt%
-------------------------------------	----------------------------

Phoenix Contact 2026 © - all rights reserved
<https://www.phoenixcontact.com>

Phoenix Contact USA
586 Fulling Mill Road
Middletown, PA 17057, United States
(+717) 944-1300
info@phoenixcon.com