

SF-7EP1N8AAC00S - Device connector front mounting



1617919

<https://www.phoenixcontact.com/us/products/1617919>

Please be informed that the data shown in this PDF document is generated from our online catalog. Please find the complete data in the user documentation. Our general terms of use for downloads are valid.



Device connector front mounting, application: Power, angled rotatable, increased flange dimension, Screw locking mechanism, M23, number of positions: 4+3+PE, contact connection type: Pin, Axial O-ring, 4x Ø 3.2, shielded: yes, flange dimensions: 28 mm x 28 mm, number of positions: 8, connection method: Crimp connection, series: SF, Compatible with mating connectors with SPEEDCON or M23 standard knurled nuts

Commercial data

Item number	1617919
Packing unit	16 pc
Minimum order quantity	1 pc
Note	Made to order (non-returnable)
Product key	ABRBFM
GTIN	4046356581974
Weight per piece (including packing)	126.31 g
Weight per piece (excluding packing)	126.31 g
Country of origin	DE

1617919

<https://www.phoenixcontact.com/us/products/1617919>

Technical data

Notes

Order information:	Order crimp contacts 4 x Ø 1 mm, 4 x Ø 2 mm separately
--------------------	--

Product properties

Product type	Circular connectors (device side)
Series	SF
Application	Power
Number of positions	8
Connection profile	4+3+PE
Shielded	yes
Coding	N
Thread type	M23

Dimensions

Housing

Flange dimensions	28 mm x 28 mm
-------------------	---------------

Material specifications

Seal material	FPM
Housing material	Metal

Electrical properties

Contact: Contact group 1

Contact diameter	2 mm
Nominal current I_N	30 A
Nominal voltage U_N	630 V
Overvoltage category	III
Degree of pollution	3
Rated surge voltage	6 kV

Contact: Contact group 2

Contact diameter	1 mm
Nominal current I_N	9 A
Nominal voltage U_N	250 V
Overvoltage category	III
Degree of pollution	3
Rated surge voltage	4 kV

Connection data

Conductor connection

Connection method	Crimp connection
-------------------	------------------

SF-7EP1N8AAC00S - Device connector front mounting



1617919

<https://www.phoenixcontact.com/us/products/1617919>

Contact connection type	Pin
-------------------------	-----

Connector

Type	angled rotatable, increased flange dimension
------	--

Environmental and real-life conditions

Ambient conditions

Degree of protection	IP67
Ambient temperature (operation)	-40 °C ... 125 °C
Altitude	3000 m

SF-7EP1N8AAC00S - Device connector front mounting

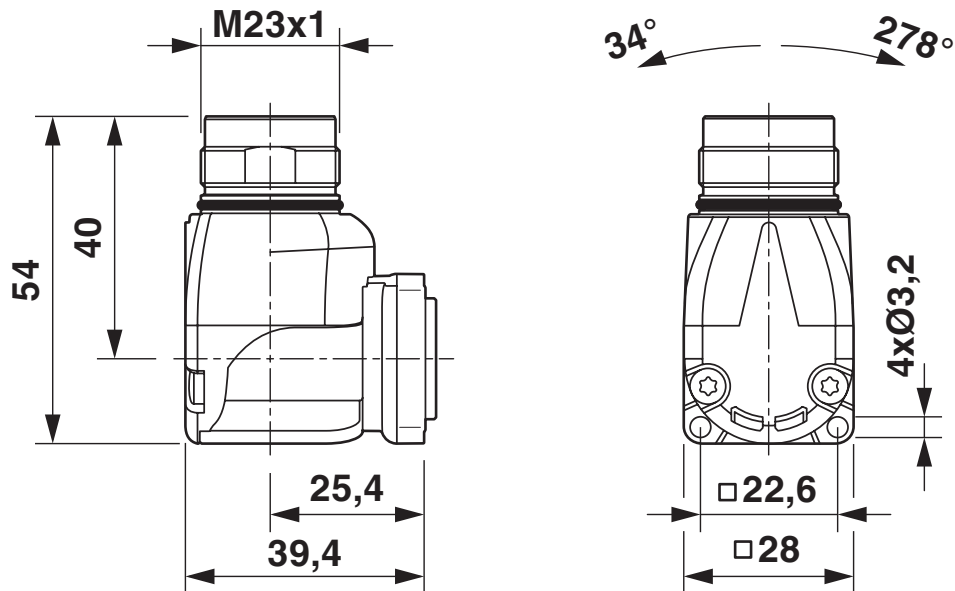


1617919

<https://www.phoenixcontact.com/us/products/1617919>

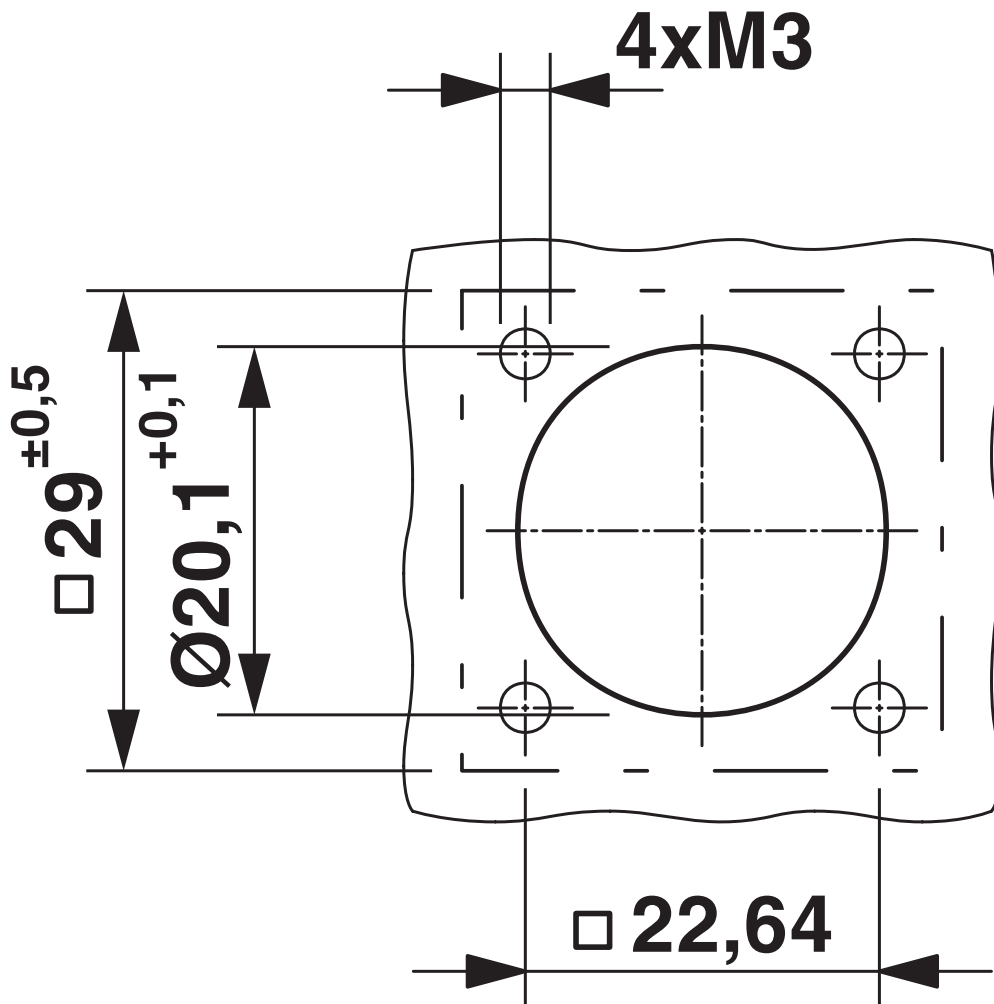
Drawings

Dimensional drawing



Dimensional drawing

Dimensional drawing

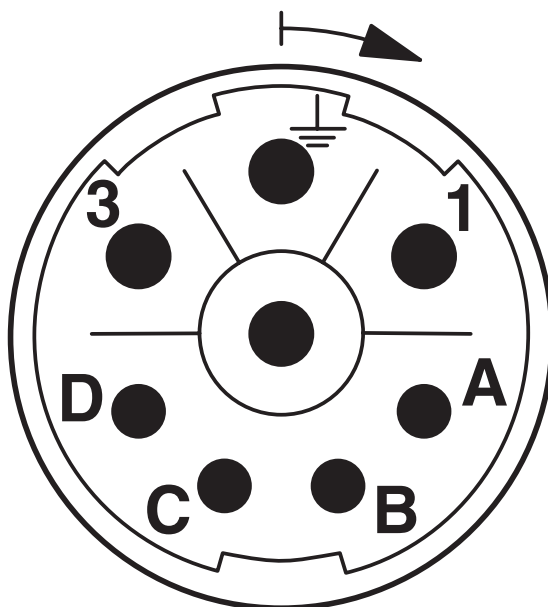


Drill holes

1617919

<https://www.phoenixcontact.com/us/products/1617919>

Schematic diagram



Connector pin assignment

SF-7EP1N8AAC00S - Device connector front mounting



1617919

<https://www.phoenixcontact.com/us/products/1617919>

Environmental product compliance

EU REACH SVHC

REACH candidate substance (CAS No.)	
-------------------------------------	--

	No substance above 0.1 wt%
--	----------------------------

Phoenix Contact 2026 © - all rights reserved

<https://www.phoenixcontact.com>

Phoenix Contact USA
586 Fulling Mill Road
Middletown, PA 17057, United States
(+717) 944-1300
info@phoenixcon.com