

SF-7EP1N8A90A1S - Coupler connector



1617910

<https://www.phoenixcontact.com/us/products/1617910>

Please be informed that the data shown in this PDF document is generated from our online catalog. Please find the complete data in the user documentation. Our general terms of use for downloads are valid.



The figure shows the 8-pos.
(4+3+PE) product version

Coupler connector, application: Power, straight short, Screw locking mechanism, M23, number of positions: 5+PE, contact connection type: Pin, shielded: yes, cable diameter range: 9 mm ... 11 mm, number of positions: 6, connection method: Crimp connection, series: SF

Commercial data

Item number	1617910
Packing unit	20 pc
Minimum order quantity	1 pc
Note	Made to order (non-returnable)
Product key	ABRBFG
GTIN	4046356582025
Weight per piece (including packing)	100 g
Weight per piece (excluding packing)	100 g
Country of origin	DE

SF-7EP1N8A90A1S - Coupler connector



1617910

<https://www.phoenixcontact.com/us/products/1617910>

Technical data

Notes

Order information:	Order crimp contacts 6 x Ø 2 mm separately
--------------------	--

Product properties

Product type	Circular connector (cable-side)
Series	SF
Application	Power
Number of positions	6
Connection profile	5+PE
Shielded	yes
Coding	N
Thread type	M23

Material specifications

Seal material	FPM
Housing material	Metal

Connection data

Conductor connection	
Connection method	Crimp connection

Electrical properties

Contact: Contact group 1

Contact diameter	2 mm
Nominal current I_N	30 A
Nominal voltage U_N	630 V
Overvoltage category	III
Degree of pollution	3
Rated surge voltage	6 kV

Contact: Contact group 2

Contact diameter	2 mm
Nominal current I_N	30 A
Nominal voltage U_N	630 V
Overvoltage category	III
Degree of pollution	3
Rated surge voltage	6 kV

Connector

Type	straight short
------	----------------

SF-7EP1N8A90A1S - Coupler connector



1617910

<https://www.phoenixcontact.com/us/products/1617910>

Cable/line

External cable diameter	9 mm ... 11 mm
-------------------------	----------------

Environmental and real-life conditions

Ambient conditions

Degree of protection	IP67
Ambient temperature (operation)	-40 °C ... 125 °C
Altitude	3000 m

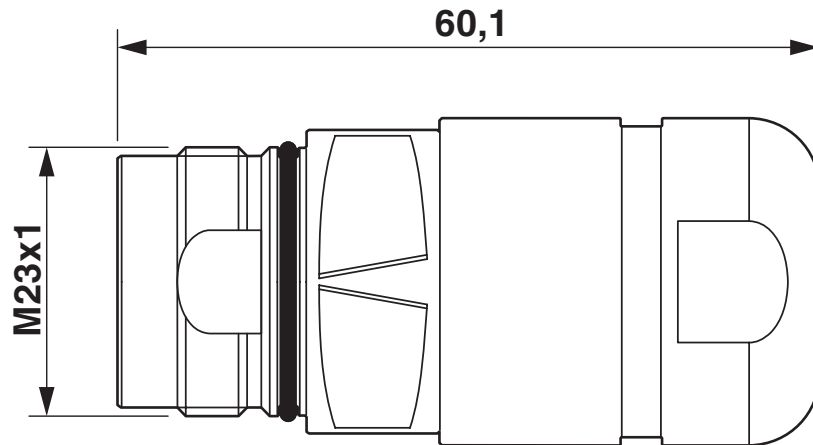
SF-7EP1N8A90A1S - Coupler connector

1617910

<https://www.phoenixcontact.com/us/products/1617910>

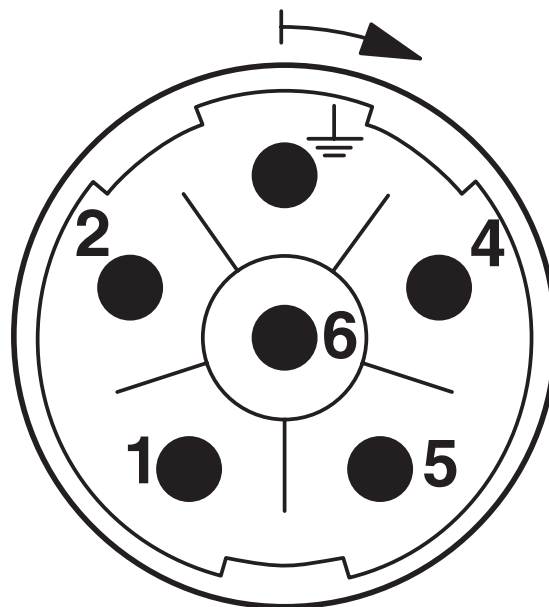
Drawings

Dimensional drawing



Dimensional drawing

Schematic diagram



Connector pin assignment

SF-7EP1N8A90A1S - Coupler connector



1617910

<https://www.phoenixcontact.com/us/products/1617910>

Environmental product compliance

China RoHS

Environment friendly use period (EFUP)	EFUP-50
	An article-related China RoHS declaration table can be found in the download area for the respective article under "Manufacturer declaration". For all articles with EFUP-E, no China RoHS declaration table issued and required.

EU REACH SVHC

REACH candidate substance (CAS No.)	No substance above 0.1 wt%
-------------------------------------	----------------------------

Phoenix Contact 2026 © - all rights reserved
<https://www.phoenixcontact.com>

Phoenix Contact USA
586 Fulling Mill Road
Middletown, PA 17057, United States
(+717) 944-1300
info@phoenixcon.com