

# ST-17P1N8ACK05S - Panel feed-through



1617874

<https://www.phoenixcontact.com/us/products/1617874>

Please be informed that the data shown in this PDF document is generated from our online catalog. Please find the complete data in the user documentation. Our general terms of use for downloads are valid.



The figure shows the 8-pos.  
product version

Panel feed-through, application: Signal, SPEEDCON, M17, number of positions: 17, contact connection type: Pin, Flat gasket, 4x Ø 3.2, shielded: yes, flange dimensions: 25.75 mm x 25.75 mm, cable diameter range: 11 mm ... 12.7 mm, number of positions: 17, connection method: Crimp connection, series: ST

## Commercial data

Item number	1617874
Packing unit	30 pc
Minimum order quantity	1 pc
Note	Made to order (non-returnable)
Product key	ABRADJ
GTIN	4046356708876
Weight per piece (including packing)	83.2 g
Weight per piece (excluding packing)	83.2 g
Country of origin	DE

# ST-17P1N8ACK05S - Panel feed-through



1617874

<https://www.phoenixcontact.com/us/products/1617874>

## Technical data

### Notes

Order information:	Order crimp contacts Ø 0.6 mm separately
--------------------	------------------------------------------

### Product properties

Product type	Circular connectors (device side)
Series	ST
Application	Signal
Number of positions	17
Connection profile	17
Shielded	yes
Coding	N
Thread type	M17

### Dimensions

#### Housing

Flange dimensions	25.75 mm x 25.75 mm
-------------------	---------------------

### Material specifications

Seal material	FPM
Housing material	Metal

### Electrical properties

#### Contact

Contact diameter	0.6 mm
Nominal current $I_N$	3.6 A
Nominal voltage $U_N$	60 V
Overvoltage category	II
Degree of pollution	3
Rated surge voltage	1.5 kV

### Connection data

#### Conductor connection

Connection method	Crimp connection
Contact connection type	Pin

### Connector

Direction of rotation	Standard
-----------------------	----------

### Cable/line

External cable diameter	11 mm ... 12.7 mm
-------------------------	-------------------

# ST-17P1N8ACK05S - Panel feed-through



1617874

<https://www.phoenixcontact.com/us/products/1617874>

## Environmental and real-life conditions

### Ambient conditions

Degree of protection	IP67
Ambient temperature (operation)	-40 °C ... 125 °C
Altitude	3000 m

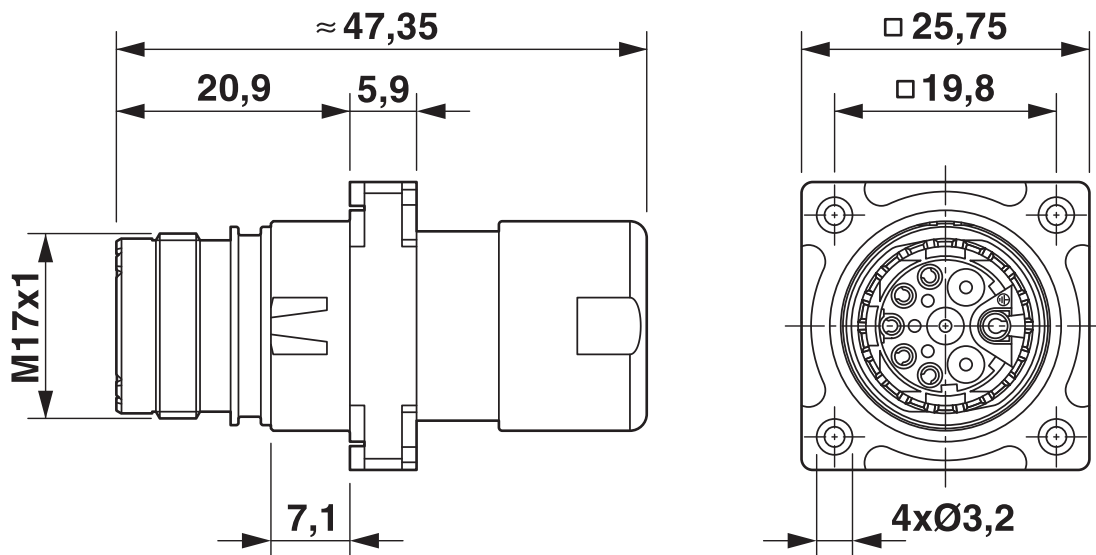
# ST-17P1N8ACK05S - Panel feed-through

1617874

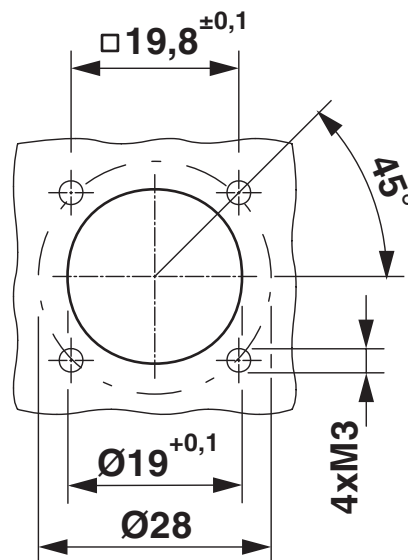
<https://www.phoenixcontact.com/us/products/1617874>

## Drawings

Dimensional drawing



Dimensional drawing

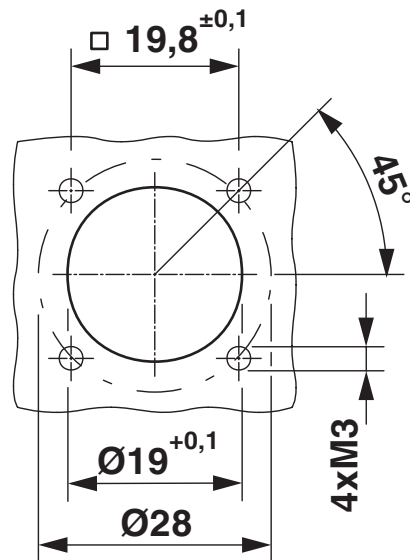


# ST-17P1N8ACK05S - Panel feed-through

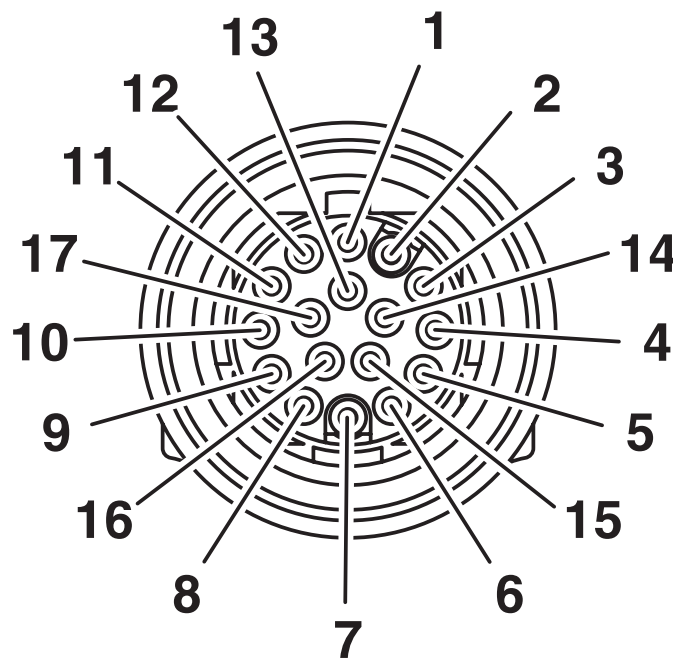
1617874

<https://www.phoenixcontact.com/us/products/1617874>

Schematic diagram



Schematic diagram



Connector pin assignment

# ST-17P1N8ACK05S - Panel feed-through



1617874

<https://www.phoenixcontact.com/us/products/1617874>

## Environmental product compliance

### China RoHS

Environment friendly use period (EFUP)	EFUP-50
	An article-related China RoHS declaration table can be found in the download area for the respective article under "Manufacturer declaration". For all articles with EFUP-E, no China RoHS declaration table issued and required.

### EU REACH SVHC

REACH candidate substance (CAS No.)	No substance above 0.1 wt%
-------------------------------------	----------------------------

Phoenix Contact 2026 © - all rights reserved  
<https://www.phoenixcontact.com>

Phoenix Contact USA  
586 Fulling Mill Road  
Middletown, PA 17057, United States  
(+717) 944-1300  
[info@phoenixcon.com](mailto:info@phoenixcon.com)