

RF-12P2N8AAD00S - Device connector front mounting



1617586

<https://www.phoenixcontact.com/us/products/1617586>

Please be informed that the data shown in this PDF document is generated from our online catalog. Please find the complete data in the user documentation. Our general terms of use for downloads are valid.



Device connector front mounting, application: Feedback, signal, angled rotatable, SPEEDCON, M23, number of positions: 12, contact connection type: Pin, Axial O-ring, 4x Ø 3.2, shielded: yes, flange dimensions: 26 mm x 26 mm, number of positions: 12, connection method: Crimp connection, series: RF

Commercial data

Item number	1617586
Packing unit	16 pc
Minimum order quantity	1 pc
Note	Made to order (non-returnable)
Product key	ABRAGM
GTIN	4046356630429
Weight per piece (including packing)	237.5 g
Weight per piece (excluding packing)	118.37 g
Country of origin	DE

1617586

<https://www.phoenixcontact.com/us/products/1617586>

Technical data

Notes

Order information:	Order crimp contacts \varnothing 1 mm separately
--------------------	--

Product properties

Product type	Circular connectors (device side)
Series	RF
Application	Feedback, signal Signal
Number of positions	12
Connection profile	12
Shielded	yes
Coding	N
Thread type	M23

Dimensions

Housing

Flange dimensions	26 mm x 26 mm
-------------------	---------------

Material specifications

Seal material	FPM
---------------	-----

Electrical properties

Contact

Contact diameter	1 mm
Nominal current I_N	8 A
Nominal voltage U_N	150 V
Overvoltage category	III
Degree of pollution	3
Rated surge voltage	2.5 kV

Connection data

Conductor connection

Connection method	Crimp connection
Contact connection type	Pin

Connector

Type	angled rotatable
Direction of rotation	Counter direction

Environmental and real-life conditions

RF-12P2N8AAD00S - Device connector front mounting



1617586

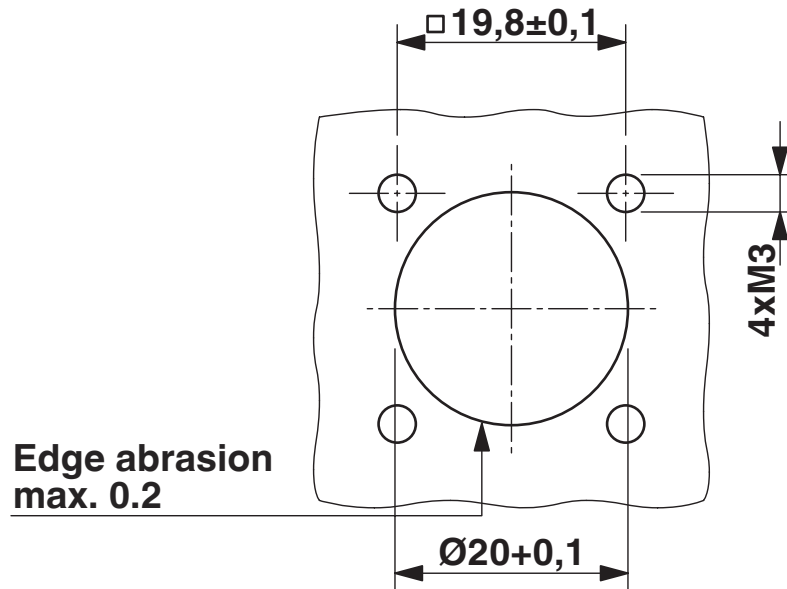
<https://www.phoenixcontact.com/us/products/1617586>

Ambient conditions

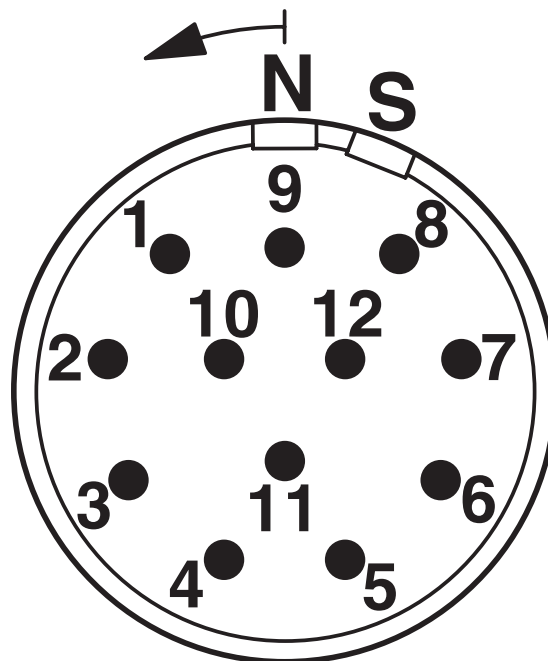
Degree of protection	IP67
Ambient temperature (operation)	-20 °C ... 125 °C
Altitude	2000 m

Drawings

Dimensional drawing



Schematic diagram



1617586

<https://www.phoenixcontact.com/us/products/1617586>

Environmental product compliance

China RoHS

Environment friendly use period (EFUP)	EFUP-50
	An article-related China RoHS declaration table can be found in the download area for the respective article under "Manufacturer declaration". For all articles with EFUP-E, no China RoHS declaration table issued and required.

EU REACH SVHC

REACH candidate substance (CAS No.)	No substance above 0.1 wt%
-------------------------------------	----------------------------

Phoenix Contact 2026 © - all rights reserved
<https://www.phoenixcontact.com>

Phoenix Contact USA
586 Fulling Mill Road
Middletown, PA 17057, United States
(+717) 944-1300
info@phoenixcon.com