

# TU-19P1NT24100 - Device connector rear mounting



1617346

<https://www.phoenixcontact.com/us/products/1617346>

Please be informed that the data shown in this PDF document is generated from our online catalog. Please find the complete data in the user documentation. Our general terms of use for downloads are valid.



M23, Device connector rear mounting, series: TU, straight, shielded: yes, Bayonet locking, Flat gasket, Panel thickness max.: 2.5 mm

## Commercial data

Item number	1617346
Packing unit	1 pc
Note	Made to order (non-returnable)
Sales key	AB31
Product key	ABRAHR
GTIN	4046356542265
Weight per piece (including packing)	53.63 g
Weight per piece (excluding packing)	53.63 g
Customs tariff number	85366990
Country of origin	DE

# TU-19P1NT24100 - Device connector rear mounting



1617346

<https://www.phoenixcontact.com/us/products/1617346>

## Technical data

### Product properties

Product type	Circular connector (cable-side)
--------------	---------------------------------

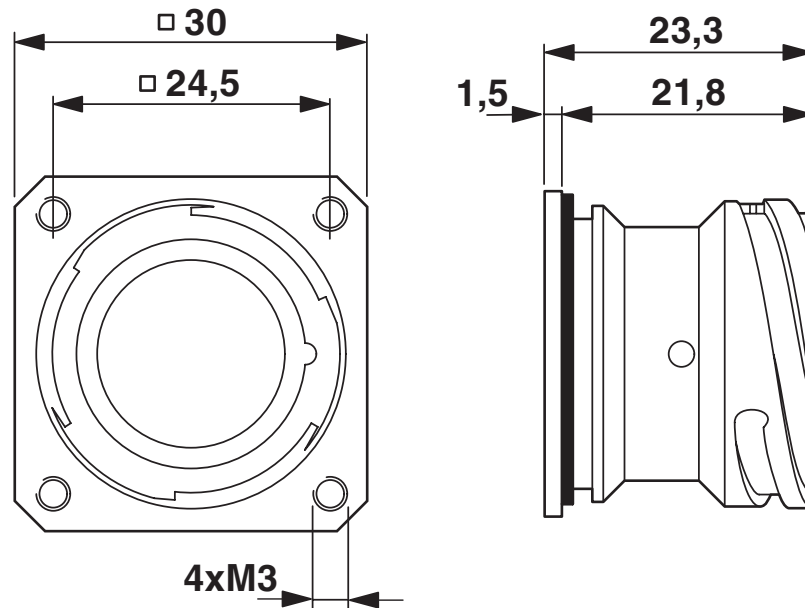
### Connector

#### Housing

Order information:	Order contact inserts separately
Type	Flange housing
Thread type	M23
Design	straight
Type of locking	Bayonet locking
Pg screw connection	none
Mounting type	Rear mounting/square flange (4x M3)
Material (Housing)	GD-Zn
Material (Housing surface)	Ni
Material (Rotating parts)	CuZn
Degree of protection (plugged in)	IP67
Seal for the device	Flat gasket

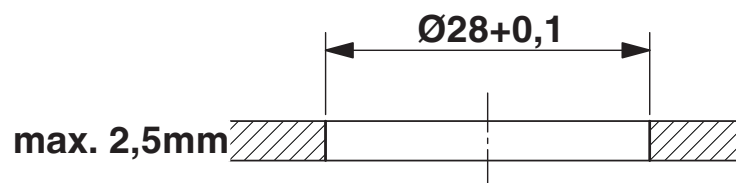
Drawings

Dimensional drawing



Dimensional drawing

Dimensional drawing



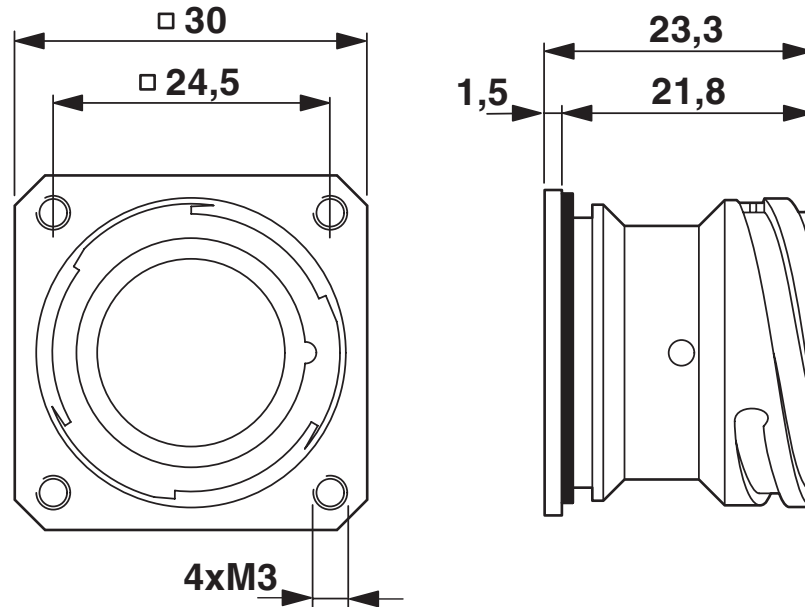
Installation dimensions

# TU-19P1NT24100 - Device connector rear mounting

1617346

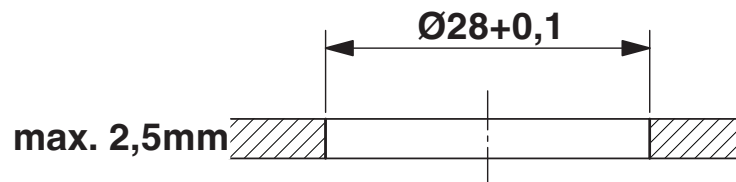
<https://www.phoenixcontact.com/us/products/1617346>

Dimensional drawing



Dimensional drawing

Dimensional drawing



Installation dimensions

# TU-19P1NT24100 - Device connector rear mounting



1617346

<https://www.phoenixcontact.com/us/products/1617346>

## Environmental product compliance

EU REACH SVHC

REACH candidate substance (CAS No.)	
-------------------------------------	--

	No substance above 0.1 wt%
--	----------------------------

Phoenix Contact 2026 © - all rights reserved

<https://www.phoenixcontact.com>

Phoenix Contact USA  
586 Fulling Mill Road  
Middletown, PA 17057, United States  
(+717) 944-1300  
[info@phoenixcon.com](mailto:info@phoenixcon.com)