

RF-12M2N12WA00 - Device connector front mounting



1616750

<https://www.phoenixcontact.com/us/products/1616750>

Please be informed that the data shown in this PDF document is generated from our online catalog. Please find the complete data in the user documentation. Our general terms of use for downloads are valid.



Device connector front mounting, application: Signal, straight, Screw locking mechanism, M23, number of positions: 12, contact connection type: Pin, Axial O-ring, 4x Ø 3.2, shielded: yes, number of positions: 12, connection method: Solder connection, series: RF

The figure shows the 12-pos. product version with standard contact chamber numbering

Commercial data

Item number	1616750
Packing unit	40 pc
Minimum order quantity	1 pc
Note	Made to order (non-returnable)
Product key	ABRAGL
GTIN	4046356602891
Weight per piece (including packing)	37.58 g
Weight per piece (excluding packing)	37.58 g
Country of origin	DE

1616750

<https://www.phoenixcontact.com/us/products/1616750>

Technical data

Product properties

Product type	Circular connectors (device side)
Series	RF
Application	Signal
Number of positions	12
Connection profile	12
Shielded	yes
Coding	N
Thread type	M23

Material specifications

Flammability rating according to UL 94	V0
Seal material	FPM

Electrical properties

Contact

Contact diameter	1 mm
Min. cross section	0.08 mm ²
Max. cross section	1 mm ²
Nominal current I _N	8 A
Nominal voltage U _N	48 V AC 74 V DC
Overvoltage category	III
Degree of pollution	3
Rated surge voltage	1.5 kV

Connection data

Conductor connection

Connection method	Solder connection
Contact connection type	Pin

Connector

Type	straight
Direction of rotation	Counter direction

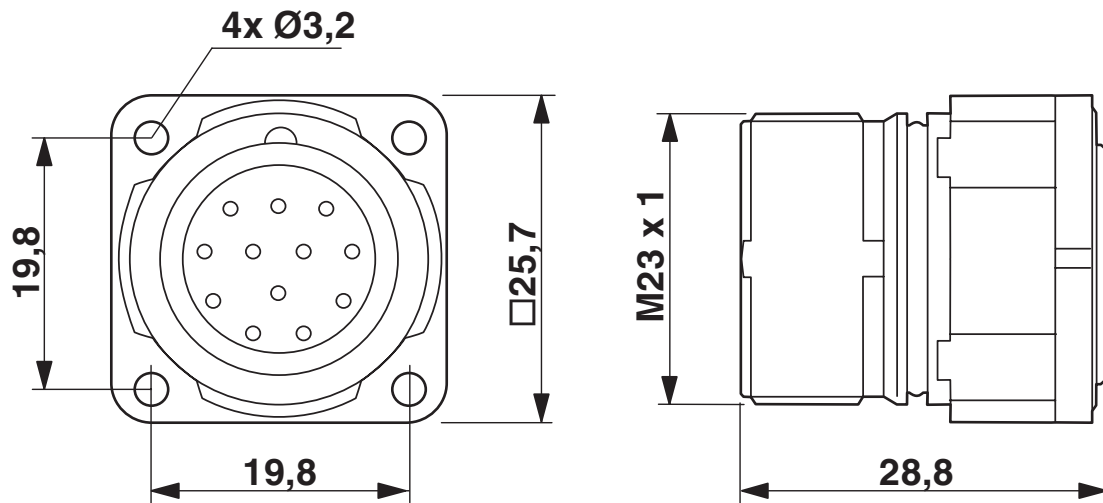
Environmental and real-life conditions

Ambient conditions

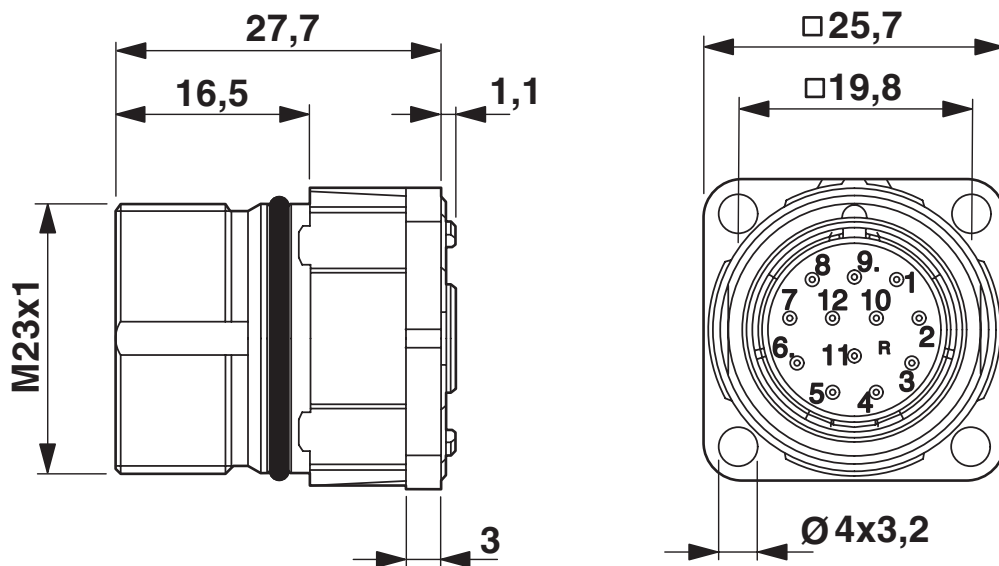
Degree of protection	IP67
Ambient temperature (operation)	-20 °C ... 125 °C
Altitude	2000 m

Drawings

Dimensional drawing



Dimensional drawing



Schematic diagram



RF-12M2N12WA00 - Device connector front mounting



1616750

<https://www.phoenixcontact.com/us/products/1616750>

Classifications

UNSPSC

UNSPSC 21.0	39121413
-------------	----------

1616750

<https://www.phoenixcontact.com/us/products/1616750>

Environmental product compliance

EU RoHS

Fulfills EU RoHS substance requirements	Yes
Exemption	6(c)

China RoHS

Environment friendly use period (EFUP)	EFUP-50
	An article-related China RoHS declaration table can be found in the download area for the respective article under "Manufacturer declaration". For all articles with EFUP-E, no China RoHS declaration table issued and required.

EU REACH SVHC

REACH candidate substance (CAS No.)	Lead(CAS: 7439-92-1)
-------------------------------------	----------------------

Phoenix Contact 2026 © - all rights reserved
<https://www.phoenixcontact.com>

Phoenix Contact USA
586 Fulling Mill Road
Middletown, PA 17057, United States
(+717) 944-1300
info@phoenixcon.com