

# RF-12M2N1290DU - Coupler connector



1616559

<https://www.phoenixcontact.com/us/products/1616559>

Please be informed that the data shown in this PDF document is generated from our online catalog. Please find the complete data in the user documentation. Our general terms of use for downloads are valid.



Coupler connector, application: Signal, straight, Screw locking mechanism, M23, number of positions: 12, contact connection type: Pin, shielded: yes, cable diameter range: 5 mm ... 13.2 mm, number of positions: 12, connection method: Solder connection, series: RF

The figure shows the 12-pos. product version with standard contact chamber numbering

## Commercial data

Item number	1616559
Packing unit	20 pc
Minimum order quantity	1 pc
Note	Made to order (non-returnable)
Product key	ABRAGG
GTIN	4046356602112
Weight per piece (including packing)	105.84 g
Weight per piece (excluding packing)	105.84 g
Country of origin	DE

# RF-12M2N1290DU - Coupler connector



1616559

<https://www.phoenixcontact.com/us/products/1616559>

## Technical data

### Product properties

Product type	Circular connector (cable-side)
Series	RF
Application	Signal
Number of positions	12
Connection profile	12
Shielded	yes
Coding	N
Thread type	M23

### Material specifications

Seal material	FPM
Housing material	Metal

### Connection data

#### Conductor connection

Connection method	Solder connection
-------------------	-------------------

### Electrical properties

#### Contact

Contact diameter	1 mm
Min. cross section	0.08 mm <sup>2</sup>
Max. cross section	1 mm <sup>2</sup>
Nominal voltage U <sub>N</sub>	48 V AC
	74 V DC
Overvoltage category	III
Degree of pollution	3
Rated surge voltage	1.5 kV

### Mechanical properties

#### Mechanical data

Insertion/withdrawal cycles	50
-----------------------------	----

### Connector

Type	straight
Direction of rotation	Counter direction

### Cable/line

External cable diameter	5 mm ... 13.2 mm
-------------------------	------------------

### Environmental and real-life conditions

# RF-12M2N1290DU - Coupler connector



1616559

<https://www.phoenixcontact.com/us/products/1616559>

## Ambient conditions

Degree of protection	IP67
Ambient temperature (operation)	-20 °C ... 125 °C
Altitude	2000 m

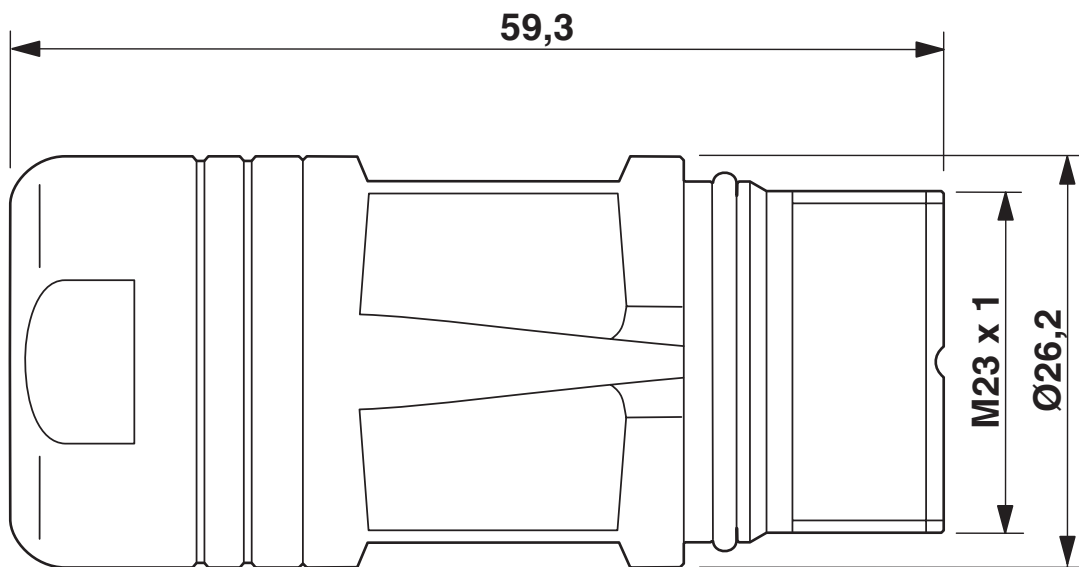
# RF-12M2N1290DU - Coupler connector

1616559

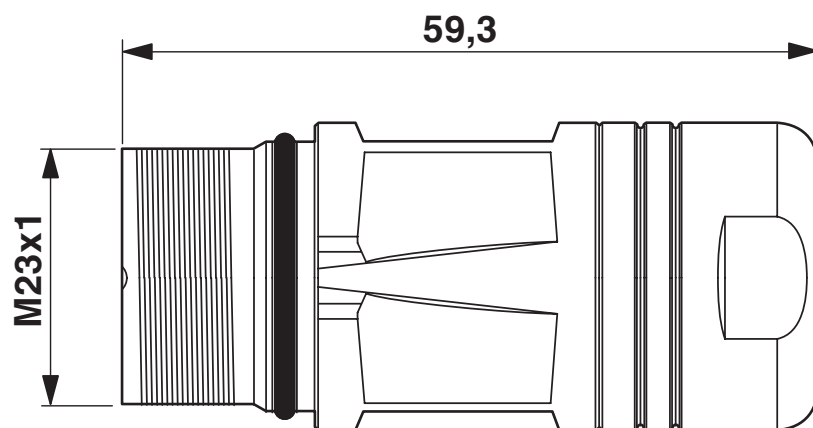
<https://www.phoenixcontact.com/us/products/1616559>

## Drawings

Dimensional drawing



Dimensional drawing



# RF-12M2N1290DU - Coupler connector



1616559

<https://www.phoenixcontact.com/us/products/1616559>

## Classifications

### UNSPSC

UNSPSC 21.0

39121413

# RF-12M2N1290DU - Coupler connector



1616559

<https://www.phoenixcontact.com/us/products/1616559>

## Environmental product compliance

### EU RoHS

Fulfills EU RoHS substance requirements	Yes
Exemption	6(c)

### China RoHS

Environment friendly use period (EFUP)	EFUP-50
	An article-related China RoHS declaration table can be found in the download area for the respective article under "Manufacturer declaration". For all articles with EFUP-E, no China RoHS declaration table issued and required.

### EU REACH SVHC

REACH candidate substance (CAS No.)	Lead(CAS: 7439-92-1)
-------------------------------------	----------------------

Phoenix Contact 2026 © - all rights reserved  
<https://www.phoenixcontact.com>

Phoenix Contact USA  
586 Fulling Mill Road  
Middletown, PA 17057, United States  
(+717) 944-1300  
[info@phoenixcon.com](mailto:info@phoenixcon.com)