

RF-12F1N128003 - Cable connector



1616131

<https://www.phoenixcontact.com/us/products/1616131>

Please be informed that the data shown in this PDF document is generated from our online catalog. Please find the complete data in the user documentation. Our general terms of use for downloads are valid.



Cable connector, application: Feedback, signal, straight, Screw locking mechanism, M23, number of positions: 12, contact connection type: Socket, shielded: yes, cable diameter range: 9 mm ... 13.2 mm, number of positions: 12, connection method: Solder connection, series: RF, RF series housing with RC series signal contact carrier

Commercial data

Item number	1616131
Packing unit	20 pc
Minimum order quantity	1 pc
Note	Made to order (non-returnable)
Product key	ABRAGA
GTIN	4046356600569
Weight per piece (including packing)	98.19 g
Weight per piece (excluding packing)	95.85 g
Country of origin	DE

RF-12F1N128003 - Cable connector



1616131

<https://www.phoenixcontact.com/us/products/1616131>

Technical data

Product properties

Product type	Circular connector (cable-side)
Series	RF
Application	Feedback, signal
Number of positions	12
Connection profile	12
Shielded	yes
Coding	N
Thread type	M23

Material specifications

Seal material	FPM
Housing material	Metal

Connection data

Conductor connection

Connection method	Solder connection
-------------------	-------------------

Electrical properties

Contact

Contact diameter	1 mm
Nominal current I_N	8 A
Nominal voltage U_N	150 V
Overvoltage category	II
Degree of pollution	3
Rated surge voltage	2.5 kV

Connector

Type	straight
Direction of rotation	Standard

Cable/line

External cable diameter	9 mm ... 13.2 mm
-------------------------	------------------

Environmental and real-life conditions

Ambient conditions

Degree of protection	IP67
Ambient temperature (operation)	-40 °C ... 125 °C
Altitude	2000 m

RF-12F1N128003 - Cable connector

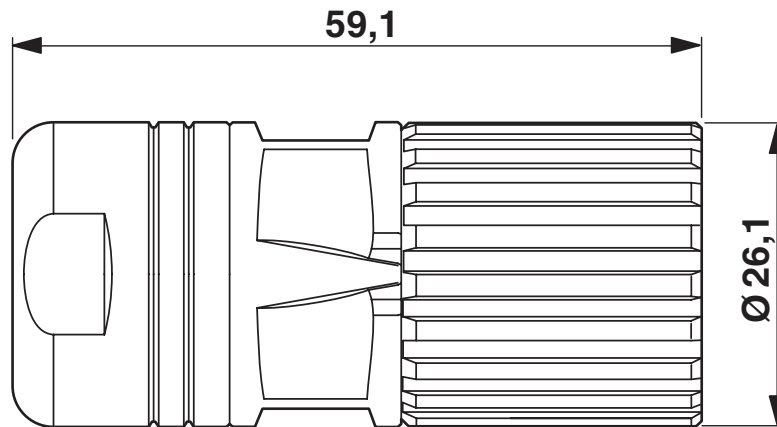
1616131

<https://www.phoenixcontact.com/us/products/1616131>

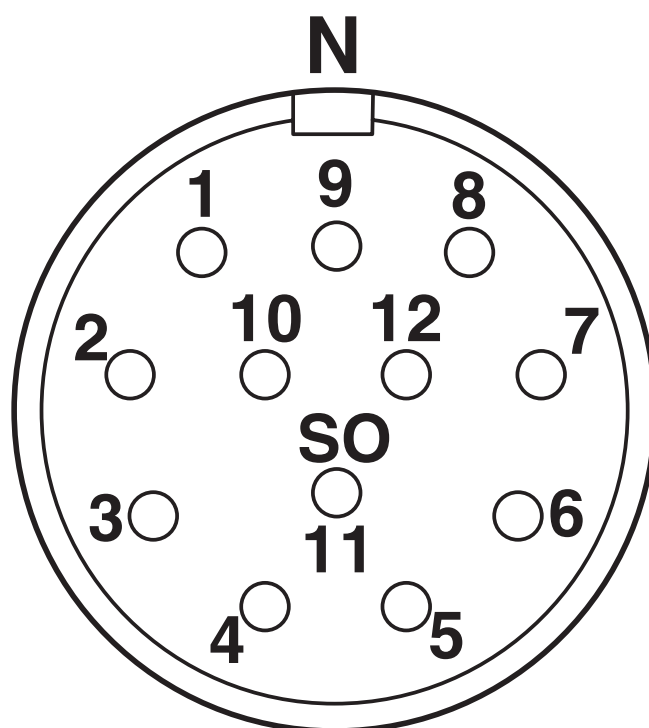


Drawings

Dimensional drawing



Schematic diagram



RF-12F1N128003 - Cable connector



1616131

<https://www.phoenixcontact.com/us/products/1616131>

Classifications

UNSPSC

UNSPSC 21.0	39121413
-------------	----------

RF-12F1N128003 - Cable connector



1616131

<https://www.phoenixcontact.com/us/products/1616131>

Environmental product compliance

EU RoHS

Fulfills EU RoHS substance requirements	Yes
Exemption	6(c)

China RoHS

Environment friendly use period (EFUP)	EFUP-50
	An article-related China RoHS declaration table can be found in the download area for the respective article under "Manufacturer declaration". For all articles with EFUP-E, no China RoHS declaration table issued and required.

EU REACH SVHC

REACH candidate substance (CAS No.)	No substance above 0.1 wt%
-------------------------------------	----------------------------

Phoenix Contact 2026 © - all rights reserved
<https://www.phoenixcontact.com>

Phoenix Contact USA
586 Fulling Mill Road
Middletown, PA 17057, United States
(+717) 944-1300
info@phoenixcon.com