

ST-Z0014 - Metal protective cap



1616069

<https://www.phoenixcontact.com/us/products/1616069>

Please be informed that the data shown in this PDF document is generated from our online catalog. Please find the complete data in the user documentation. Our general terms of use for downloads are valid.



Metal protective cap, M17, series: ST, this item is expected to be lead-free from Q1 2027 in accordance with RoHS II without exception 6c (Pb < 0.1%), a lead-free alternative is possible on request in advance

Commercial data

Item number	1616069
Packing unit	10 pc
Minimum order quantity	10 pc
Sales key	AB36
Product key	ABRGAA
GTIN	4046356553087
Weight per piece (including packing)	13.71 g
Weight per piece (excluding packing)	13.558 g
Customs tariff number	85389099
Country of origin	DE

ST-Z0014 - Metal protective cap



1616069

<https://www.phoenixcontact.com/us/products/1616069>

Technical data

Product properties

Product type	Protective cap
Series	ST

Environmental and real-life conditions

Ambient conditions

Degree of protection	IP67
----------------------	------

ST-Z0014 - Metal protective cap

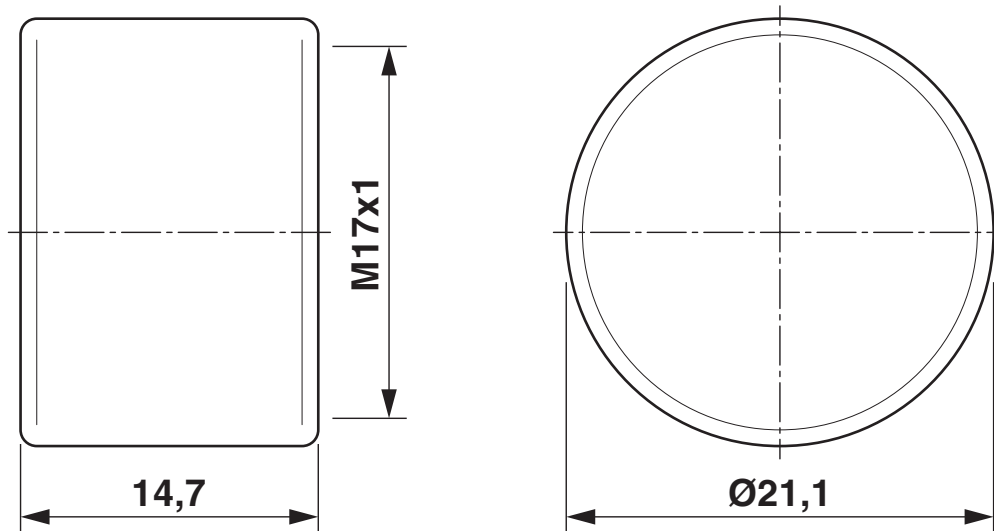
1616069

<https://www.phoenixcontact.com/us/products/1616069>



Drawings

Dimensional drawing



Dimensional drawing

ST-Z0014 - Metal protective cap



1616069

<https://www.phoenixcontact.com/us/products/1616069>

Classifications

ECLASS

ECLASS-13.0	27440208
ECLASS-15.0	27440208

ETIM

ETIM 10.0	EC002314
-----------	----------

UNSPSC

UNSPSC 21.0	39121400
-------------	----------

ST-Z0014 - Metal protective cap



1616069

<https://www.phoenixcontact.com/us/products/1616069>

Environmental product compliance

EU RoHS

Fulfills EU RoHS substance requirements	Yes
Exemption	6(c)

China RoHS

Environment friendly use period (EFUP)	EFUP-50
	An article-related China RoHS declaration table can be found in the download area for the respective article under "Manufacturer declaration". For all articles with EFUP-E, no China RoHS declaration table issued and required.

EU REACH SVHC

REACH candidate substance (CAS No.)	Lead(CAS: 7439-92-1)
SCIP	5465150c-45fa-4a82-826a-8344536500e7

Phoenix Contact 2026 © - all rights reserved

<https://www.phoenixcontact.com>

Phoenix Contact USA
586 Fulling Mill Road
Middletown, PA 17057, United States
(+717) 944-1300
info@phoenixcon.com