

RC-17P1NA22300J - Device connector front mounting



1615837

<https://www.phoenixcontact.com/us/products/1615837>

Please be informed that the data shown in this PDF document is generated from our online catalog. Please find the complete data in the user documentation. Our general terms of use for downloads are valid.



The figure shows the 12-pos.
product version

M23, Device connector front mounting, application: Signal, series: RC, straight, shielded: yes, Screw locking mechanism, No. of pos.: 17, Direction of rotation: Standard, contact connection type: Pin, Solder-in connection, Flat gasket, coding: N, Alternative product in accordance with RoHS II without Exemption 6c (Pb < 0.1 %) item no.: 1242996

Commercial data

Item number	1615837
Packing unit	20 pc
Minimum order quantity	1 pc
Note	Made to order (non-returnable)
Product key	ABRAFL
GTIN	4046356730716
Weight per piece (including packing)	37.944 g
Weight per piece (excluding packing)	34.06 g
Country of origin	DE

1615837

<https://www.phoenixcontact.com/us/products/1615837>

Technical data

Product properties

Product type	Circular connectors (device side)
--------------	-----------------------------------

Connector

Insulating body

Coding	N
Material (Insulating body)	PBT
Material (Contact)	CuZn
Material (Contact surface)	Ni/Au
Insertion/withdrawal cycles	50
Connection method	Solder-in connection
Contact switching type	Pin
Application	Signal
Number of positions	17
Direction of rotation	Standard
Connection profile	17
Number (Contact group 1)	17
Contact diameter (Contact group 1)	1 mm
Rated current Contact (Contact group 1)	8 A (for max. connection cross section)
Rated voltage Contact (Contact group 1)	48 V AC 74 V DC
Rated surge voltage	1.5 kV
Overvoltage category	III
Degree of pollution	3

Housing

Type	Flange housing
Thread type	M23
Design	straight
Type of locking	Screw locking mechanism
Pg screw connection	none
Mounting type	Front mounting/square flange (4x Ø 3.2 mm)
Material (Housing)	Metal
Degree of protection (plugged in)	IP67
Seal for the device	Flat gasket

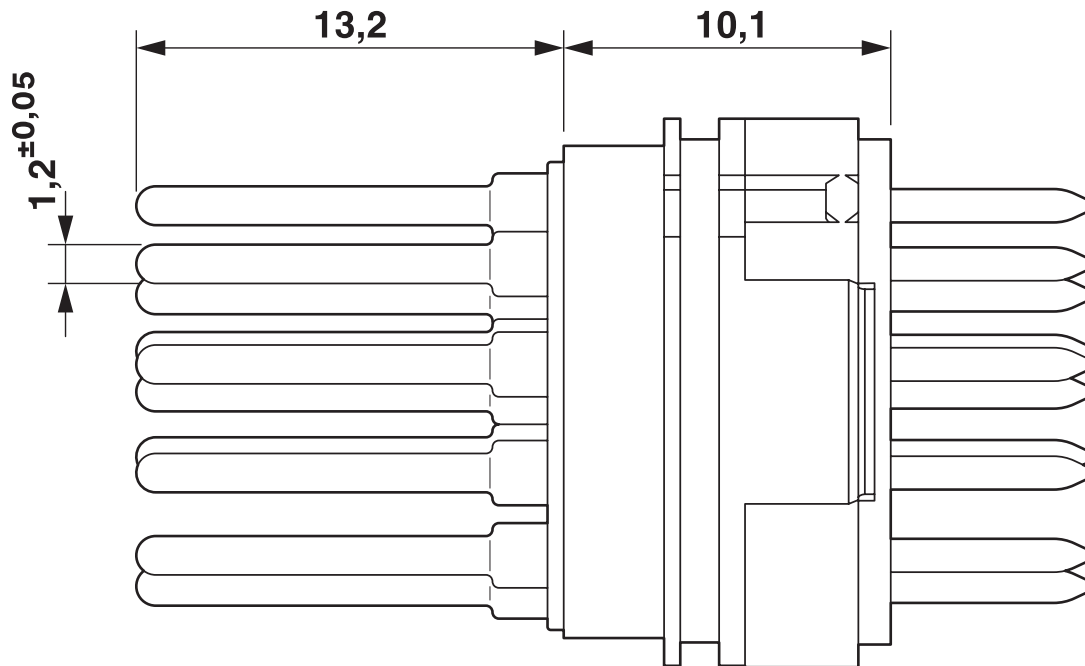
Drawings

Dimensional drawing



Installation dimensions

Dimensional drawing



Dimensional drawing

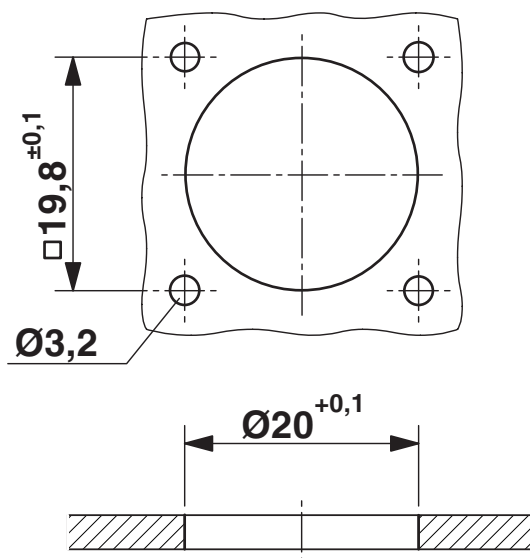
RC-17P1NA22300J - Device connector front mounting



1615837

<https://www.phoenixcontact.com/us/products/1615837>

Dimensional drawing



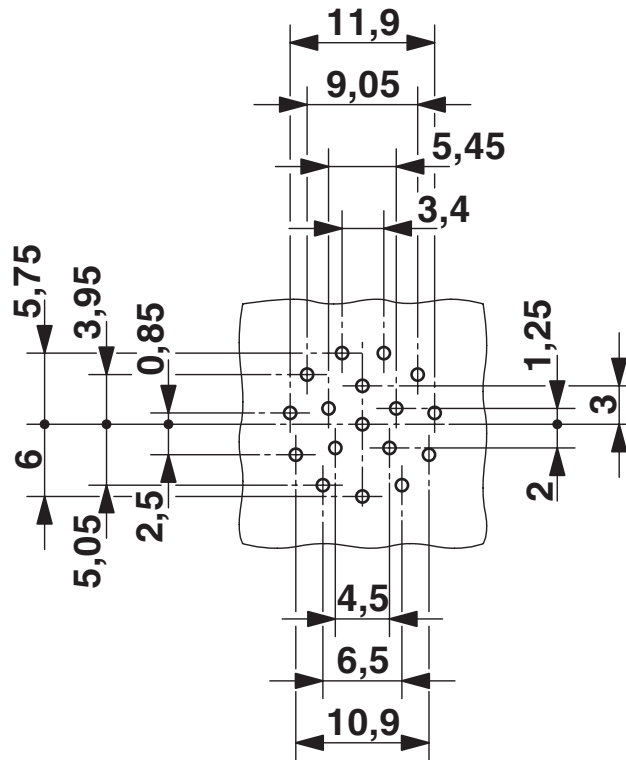
Installation dimensions

Schematic diagram



Connector pin assignment

Drilling plan/solder pad geometry



RC-17P1NA22300J - Device connector front mounting



1615837

<https://www.phoenixcontact.com/us/products/1615837>

Classifications

ECLASS

ECLASS-13.0

27440116

UNSPSC

UNSPSC 21.0

39131500

1615837

<https://www.phoenixcontact.com/us/products/1615837>

Environmental product compliance

EU RoHS

Fulfills EU RoHS substance requirements	Yes
Exemption	6(c)

China RoHS

Environment friendly use period (EFUP)	EFUP-50
	An article-related China RoHS declaration table can be found in the download area for the respective article under "Manufacturer declaration". For all articles with EFUP-E, no China RoHS declaration table issued and required.

EU REACH SVHC

REACH candidate substance (CAS No.)	Lead(CAS: 7439-92-1)
SCIP	ad0fa2e6-2e17-46fd-a726-391de71bc4cb

Phoenix Contact 2026 © - all rights reserved

<https://www.phoenixcontact.com>

Phoenix Contact USA
586 Fulling Mill Road
Middletown, PA 17057, United States
(+717) 944-1300
info@phoenixcon.com