

HC-000000080ABJ - Housing for circular connector



1615818

<https://www.phoenixcontact.com/us/products/1615818>

Please be informed that the data shown in this PDF document is generated from our online catalog. Please find the complete data in the user documentation. Our general terms of use for downloads are valid.



The figure shows a complete connector

Housing for circular connector, this item is expected to be lead-free from Q2 2026 in accordance with RoHS II without exception 6c (Pb < 0.1%), a lead-free alternative is possible on request in advance

Commercial data

Item number	1615818
Packing unit	12 pc
Minimum order quantity	1 pc
Note	Made to order (non-returnable)
Product key	ABRAJE
GTIN	4046356730617
Weight per piece (including packing)	83.4 g
Weight per piece (excluding packing)	83.4 g
Country of origin	DE

HC-000000080ABJ - Housing for circular connector



1615818

<https://www.phoenixcontact.com/us/products/1615818>

Technical data

Product properties

Product type

Circular connector housing

Environmental and real-life conditions

Ambient conditions

Degree of protection

IP67 (When plugged in)

HC-000000080ABJ - Housing for circular connector

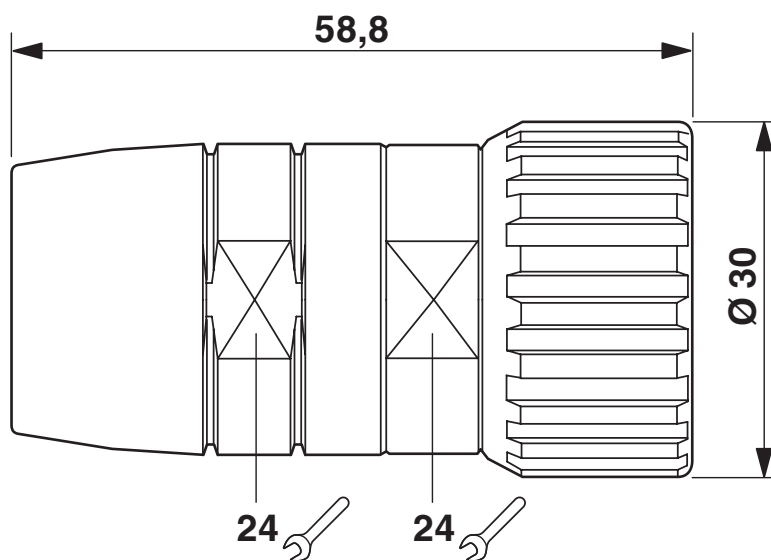
1615818

<https://www.phoenixcontact.com/us/products/1615818>



Drawings

Dimensional drawing



Dimensional drawing

HC-000000080ABJ - Housing for circular connector



1615818

<https://www.phoenixcontact.com/us/products/1615818>

Classifications

ECLASS

ECLASS-13.0	27440224
ECLASS-15.0	27440224

ETIM

ETIM 10.0	EC003556
-----------	----------

UNSPSC

UNSPSC 21.0	39121400
-------------	----------

1615818

<https://www.phoenixcontact.com/us/products/1615818>

Environmental product compliance

EU RoHS

Fulfills EU RoHS substance requirements	Yes
Exemption	6(c)

China RoHS

Environment friendly use period (EFUP)	EFUP-50
	An article-related China RoHS declaration table can be found in the download area for the respective article under "Manufacturer declaration". For all articles with EFUP-E, no China RoHS declaration table issued and required.

EU REACH SVHC

REACH candidate substance (CAS No.)	Lead(CAS: 7439-92-1)
SCIP	e3533d6f-f605-474d-8fc8-197b5df9fd54

Phoenix Contact 2026 © - all rights reserved

<https://www.phoenixcontact.com>

Phoenix Contact USA
586 Fulling Mill Road
Middletown, PA 17057, United States
(+717) 944-1300
info@phoenixcon.com