

# HC-26P1NT2WA00 - Device connector front mounting



1615310

<https://www.phoenixcontact.com/us/products/1615310>

Please be informed that the data shown in this PDF document is generated from our online catalog. Please find the complete data in the user documentation. Our general terms of use for downloads are valid.



Device connector front mounting, application: Signal, straight, Screw locking mechanism, M27, number of positions: 26, contact connection type: Pin, Radial O-ring, 4x Ø 3.2, shielded: yes, number of positions: 26, connection method: Solder-in connection, series: HC

## Commercial data

Item number	1615310
Packing unit	12 pc
Minimum order quantity	1 pc
Note	Made to order (non-returnable)
Product key	ABRAJL
GTIN	4046356439619
Weight per piece (including packing)	50.37 g
Weight per piece (excluding packing)	50.37 g
Country of origin	DE

1615310

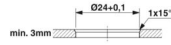
<https://www.phoenixcontact.com/us/products/1615310>

## Technical data

### Product properties

Product type	Circular connectors (device side)
Series	HC
Application	Signal
Number of positions	26
Connection profile	26
Shielded	yes
Coding	N
Thread type	M27

### Dimensions

Dimensional drawing	
Length of the solder pin	10 mm
	10 mm

### Material specifications

Seal material	FPM or NBR or EPDM
Housing material	Metal
Housing material	Turned parts: copper zinc alloy (CuZn), die-cast parts: zinc (GD-Zn)
Contact material	CuZn
Contact surface	Nickel-plated, gold coating

### Electrical properties

#### Contact

Contact diameter	1 mm
Nominal current $I_N$	8 A
Nominal voltage $U_N$	150 V
Overvoltage category	II
Degree of pollution	3
Rated surge voltage	1.5 kV

### Connection data

#### Conductor connection

Connection method	Solder-in connection
Contact connection type	Pin

### Mechanical properties

# HC-26P1NT2WA00 - Device connector front mounting



1615310

<https://www.phoenixcontact.com/us/products/1615310>

## Mechanical data

Insertion/withdrawal cycles	50
-----------------------------	----

## Connector

Type	straight
Direction of rotation	Standard

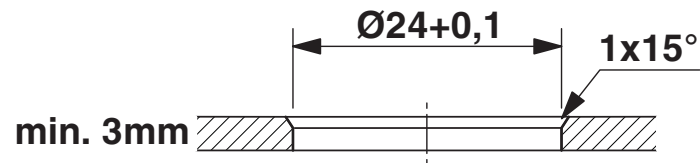
## Environmental and real-life conditions

### Ambient conditions

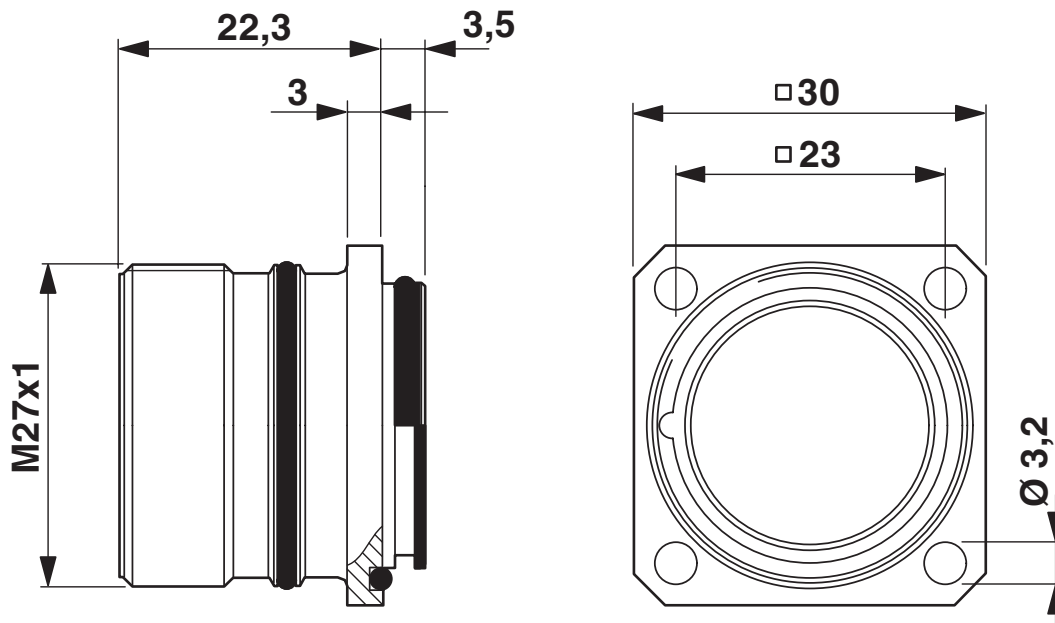
Degree of protection	IP67, when plugged in
Ambient temperature (operation)	-20 °C ... 125 °C
Altitude	2000 m

Drawings

Dimensional drawing



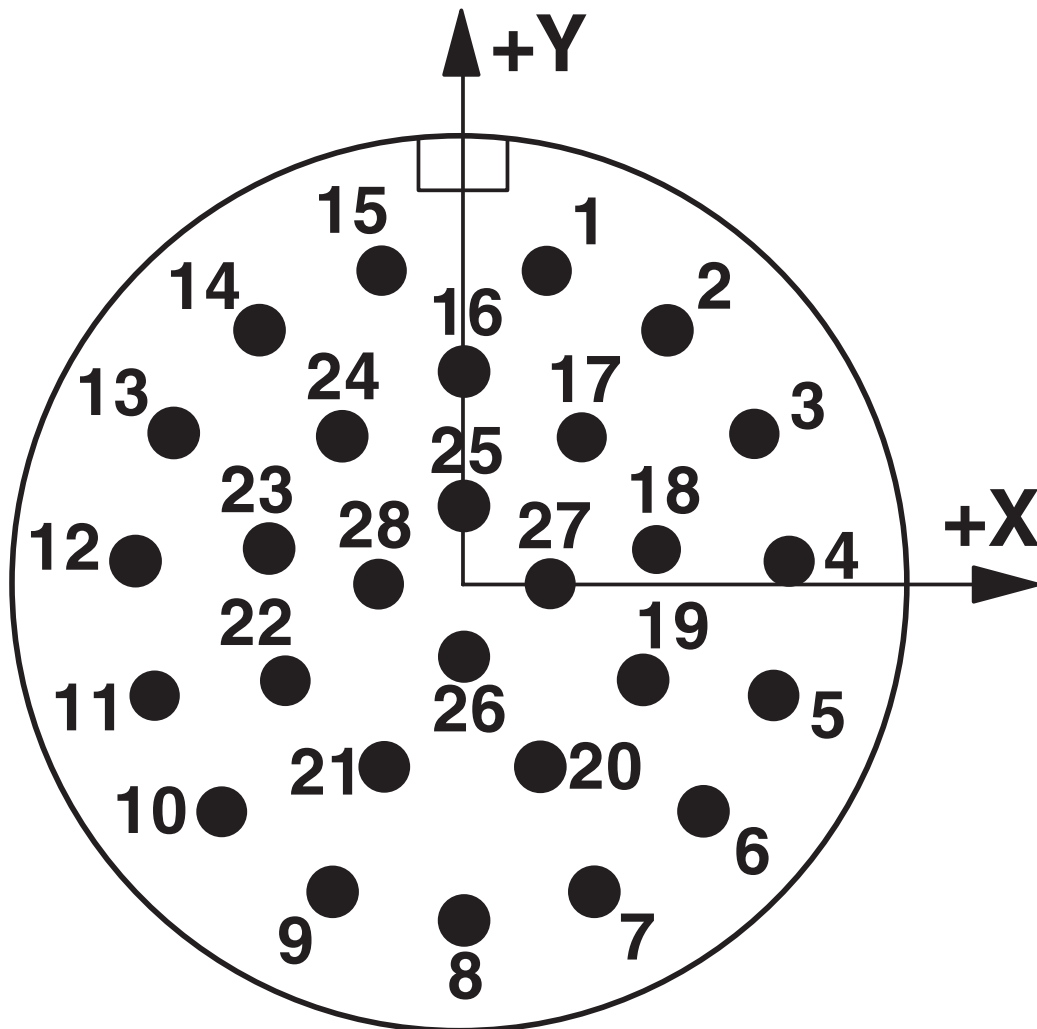
Dimensional drawing



1615310

<https://www.phoenixcontact.com/us/products/1615310>

Schematic diagram



Phoenix Contact 2026 © - all rights reserved  
<https://www.phoenixcontact.com>

Phoenix Contact USA  
586 Fulling Mill Road  
Middletown, PA 17057, United States  
(+717) 944-1300  
[info@phoenixcon.com](mailto:info@phoenixcon.com)