

HC-26P1N322300 - Device connector front mounting



1615309

<https://www.phoenixcontact.com/us/products/1615309>

Please be informed that the data shown in this PDF document is generated from our online catalog. Please find the complete data in the user documentation. Our general terms of use for downloads are valid.



Device connector front mounting, application: Signal, straight, Screw locking mechanism, M27, number of positions: 26, contact connection type: Pin, Flat gasket, shielded: yes, number of positions: 26, connection method: Solder pins, series: HC, this item is expected to be lead-free from Q1 2027 in accordance with RoHS II without exception 6c (Pb < 0.1%), a lead-free alternative is possible on request in advance

Commercial data

Item number	1615309
Packing unit	24 pc
Minimum order quantity	24 pc
Note	Made to order (non-returnable)
Sales key	AB31
Product key	ABRAJL
GTIN	4046356439589
Weight per piece (including packing)	45.49 g
Weight per piece (excluding packing)	44.046 g
Customs tariff number	85366990
Country of origin	DE

HC-26P1N322300 - Device connector front mounting



1615309

<https://www.phoenixcontact.com/us/products/1615309>

Technical data

Mounting

Mounting type	Front mounting/square flange (4x Ø 3.2 mm)
---------------	--

Product properties

Product type	Circular connectors (device side)
Series	HC
Application	Signal
Number of positions	26
Connection profile	26
Shielded	yes
Coding	N
Thread type	M27

Dimensions

Dimensional drawing	
Length of the solder pin	4.5 mm
	4.5 mm

Material specifications

Material Housing	GD-Zn
Material Rotating parts	CuZn
Material Housing surface	Ni
Material Contact	CuZn
Material Contact surface	Au
Flammability rating according to UL 94	V0
Seal material	FPM or NBR or EPDM

Electrical properties

Contact

Contact diameter	1 mm
Nominal current I_N	8 A
Nominal voltage U_N	48 V AC
	74 V DC
Overvoltage category	III
Degree of pollution	3
Rated surge voltage	1.5 kV

Connection data

HC-26P1N322300 - Device connector front mounting



1615309

<https://www.phoenixcontact.com/us/products/1615309>

Conductor connection

Connection method	Solder pins
Contact connection type	Pin

Mechanical properties

Mechanical data

Insertion/withdrawal cycles	50
-----------------------------	----

Connector

Type	straight
Direction of rotation	Standard

Environmental and real-life conditions

Ambient conditions

Degree of protection	IP67
Ambient temperature (operation)	-20 °C ... 125 °C
Altitude	2000 m

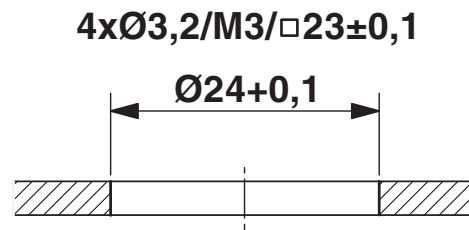
HC-26P1N322300 - Device connector front mounting

1615309

<https://www.phoenixcontact.com/us/products/1615309>

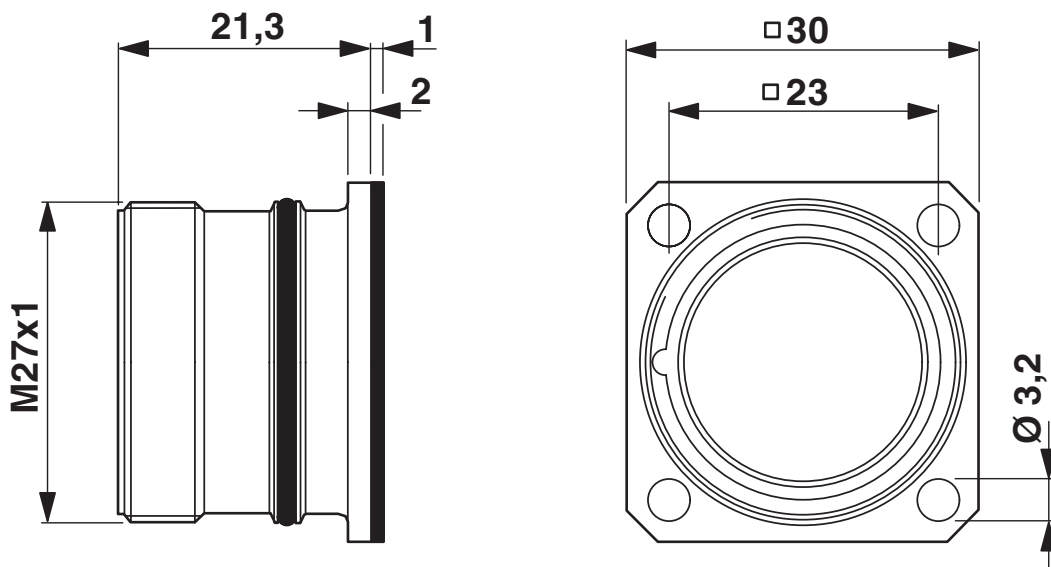
Drawings

Dimensional drawing



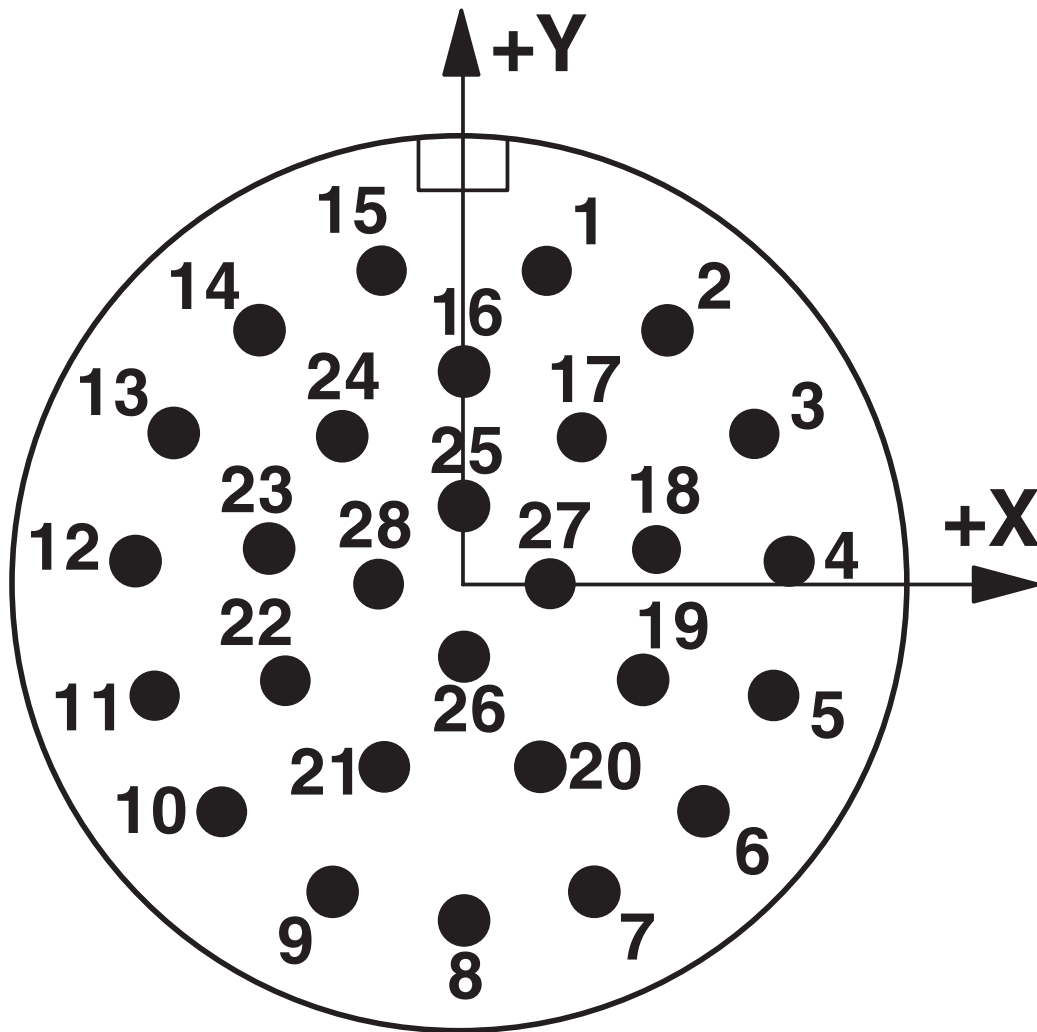
Installation dimensions

Dimensional drawing



Dimensional drawing

Schematic diagram



Connector pin assignment

HC-26P1N322300 - Device connector front mounting



1615309

<https://www.phoenixcontact.com/us/products/1615309>

Classifications

ECLASS

ECLASS-13.0	27440109
ECLASS-15.0	27440109

ETIM

ETIM 10.0	EC003569
-----------	----------

UNSPSC

UNSPSC 21.0	39121400
-------------	----------

1615309

<https://www.phoenixcontact.com/us/products/1615309>

Environmental product compliance

EU RoHS

Fulfills EU RoHS substance requirements	Yes
Exemption	6(c)

China RoHS

Environment friendly use period (EFUP)	EFUP-50
	An article-related China RoHS declaration table can be found in the download area for the respective article under "Manufacturer declaration". For all articles with EFUP-E, no China RoHS declaration table issued and required.

EU REACH SVHC

REACH candidate substance (CAS No.)	Lead(CAS: 7439-92-1)
SCIP	b537f648-019a-4547-b937-7a042de4e333

Phoenix Contact 2026 © - all rights reserved

<https://www.phoenixcontact.com>

Phoenix Contact USA
586 Fulling Mill Road
Middletown, PA 17057, United States
(+717) 944-1300
info@phoenixcon.com