

UC-06P1N12Q0DU - Rear panel feed-through



1615169

<https://www.phoenixcontact.com/us/products/1615169>

Please be informed that the data shown in this PDF document is generated from our online catalog. Please find the complete data in the user documentation. Our general terms of use for downloads are valid.



M23, Rear panel feed-through, application: Signal, series: UC, straight, shielded: yes, Screw locking mechanism, No. of pos.: 6, Direction of rotation: Standard, contact connection type: Pin, Solder cup, Axial O-ring, cable diameter range: 2 mm ... 14.5 mm, coding: N

The figure shows the 12-pos.
product version

Commercial data

Item number	1615169
Packing unit	12 pc
Minimum order quantity	1 pc
Note	Made to order (non-returnable)
Product key	ABRAIJ
GTIN	4046356895538
Weight per piece (including packing)	116.37 g
Weight per piece (excluding packing)	116.37 g
Country of origin	DE

UC-06P1N12Q0DU - Rear panel feed-through



1615169

<https://www.phoenixcontact.com/us/products/1615169>

Technical data

Product properties

Product type	Circular connector (cable-side)
--------------	---------------------------------

Connector

Insulating body

Coding	N
Material (Insulating body)	PBT
Material (Contact)	CuZn
Material (Contact surface)	Ni/Au
Insertion/withdrawal cycles	50
Connection method	Solder cup
Contact switching type	Pin
Application	Signal
Number of positions	6
Direction of rotation	Standard
Connection profile	6
Number (Contact group 1)	6
Litz wires Min. cross section (Contact group 1)	0.08 mm ²
Litz wires Max. cross section (Contact group 1)	2.5 mm ²
Rated current Contact (Contact group 1)	20 A (for max. connection cross section)
Rated voltage Contact (Contact group 1)	48 V AC 74 V DC
Rated surge voltage	1.5 kV
Overvoltage category	III
Degree of pollution	3

Housing

Type	Feed-through header
Thread type	M23
Design	straight
Type of locking	Screw locking mechanism
Pg screw connection	none
Mounting type	Rear mounting
Assembly note	Central fastening
Material (Housing)	GD-Zn
Material (Rotating parts)	CuZn
Material (Housing surface)	Ni
Material (Seal)	FPM (O-ring)
Degree of protection (plugged in)	IP67
Seal for the device	Axial O-ring

Seal

UC-06P1N12Q0DU - Rear panel feed-through



1615169

<https://www.phoenixcontact.com/us/products/1615169>

External cable diameter	2 mm ... 14.5 mm
Seal material	NBR

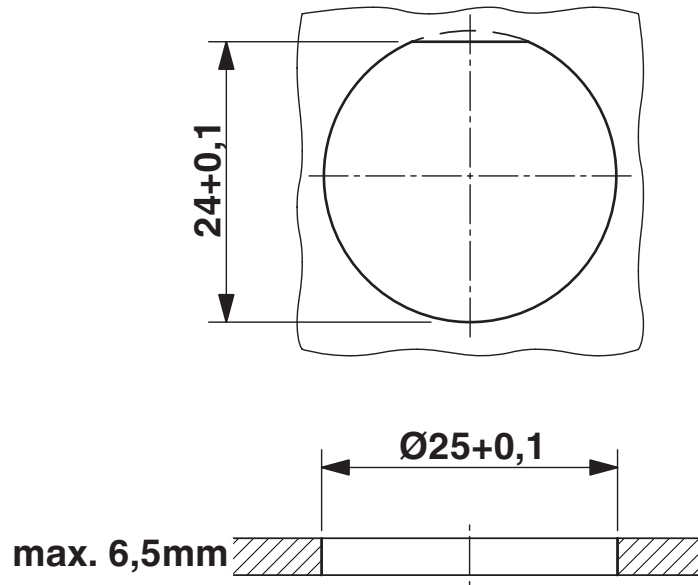
UC-06P1N12Q0DU - Rear panel feed-through

1615169

<https://www.phoenixcontact.com/us/products/1615169>

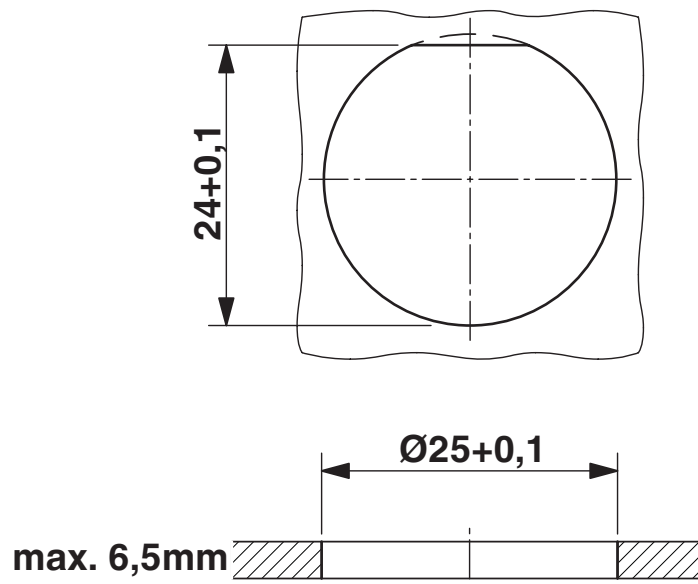
Drawings

Dimensional drawing



Installation dimensions

Dimensional drawing



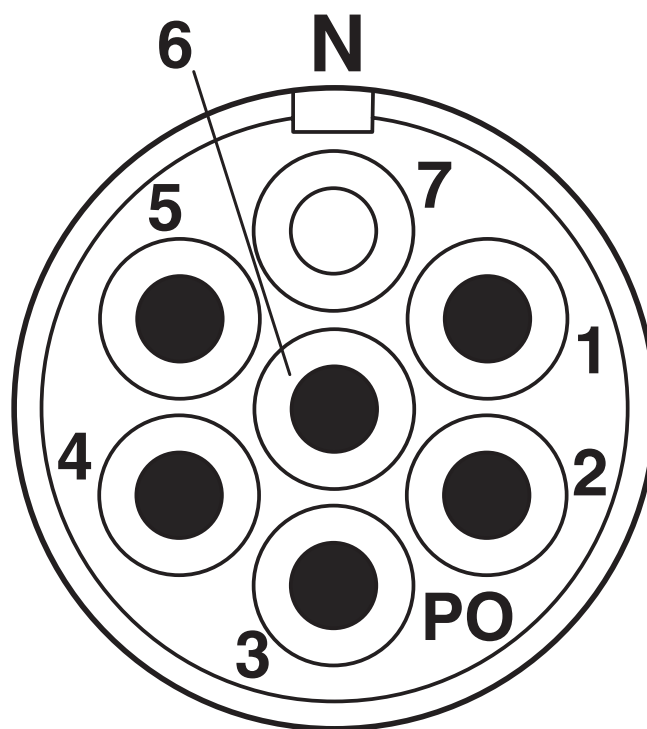
Installation dimensions

UC-06P1N12Q0DU - Rear panel feed-through

1615169

<https://www.phoenixcontact.com/us/products/1615169>

Schematic diagram



Connector pin assignment

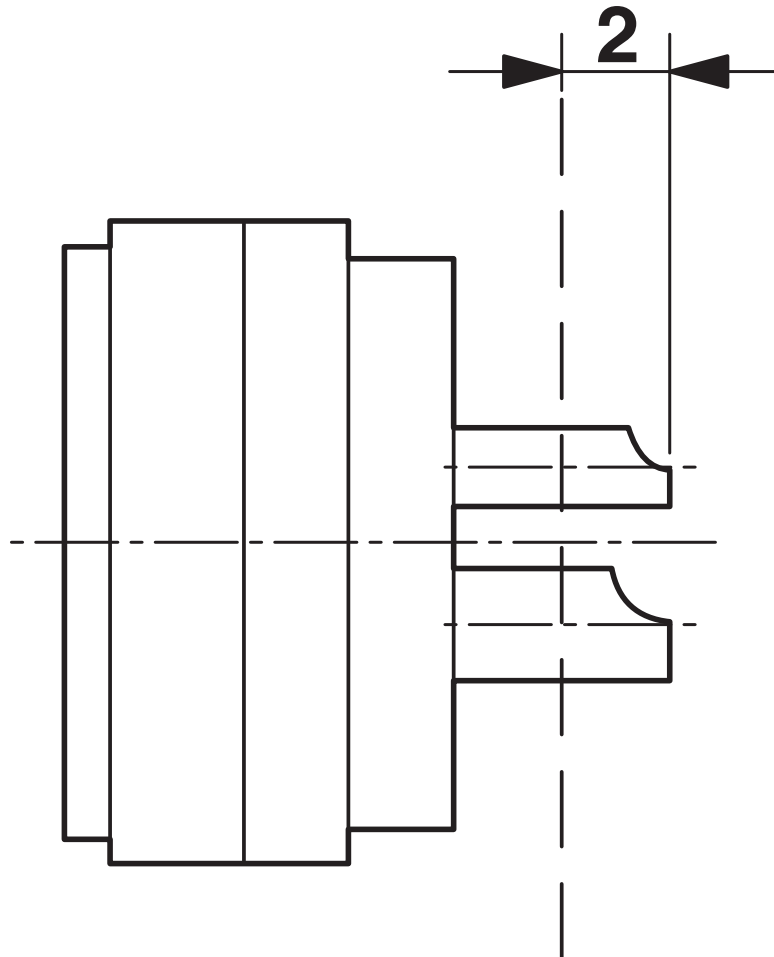
UC-06P1N12Q0DU - Rear panel feed-through



1615169

<https://www.phoenixcontact.com/us/products/1615169>

Schematic diagram



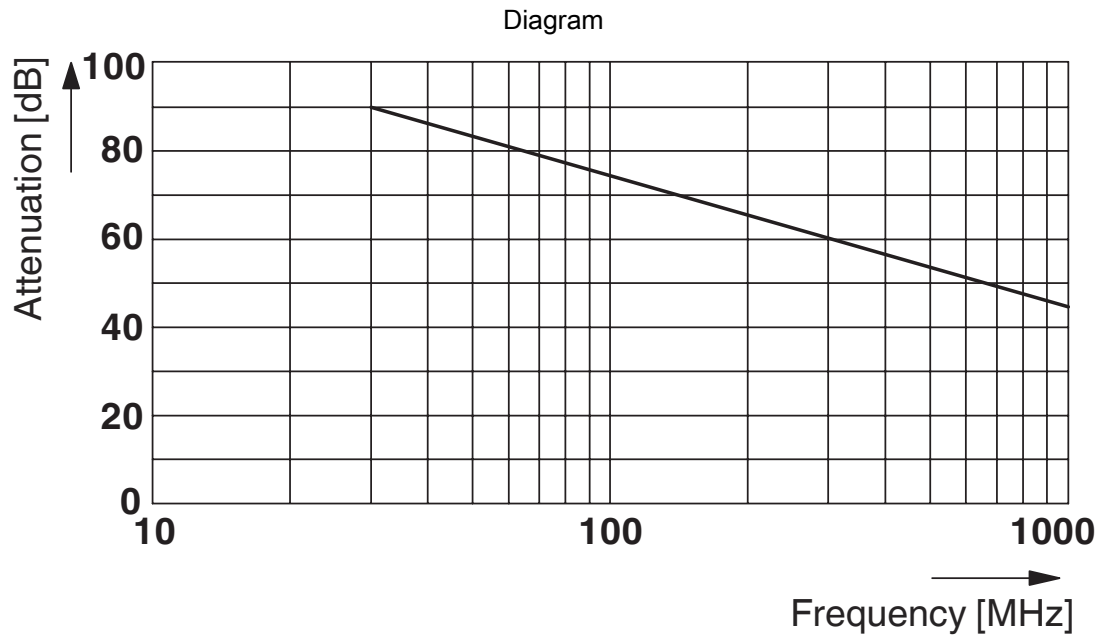
Dimensional drawing

UC-06P1N12Q0DU - Rear panel feed-through



1615169

<https://www.phoenixcontact.com/us/products/1615169>



Phoenix Contact 2026 © - all rights reserved
<https://www.phoenixcontact.com>

Phoenix Contact USA
586 Fulling Mill Road
Middletown, PA 17057, United States
(+717) 944-1300
info@phoenixcon.com