

RC-19P1NT24Z00 - Device connector rear mounting



1614482

<https://www.phoenixcontact.com/us/products/1614482>

Please be informed that the data shown in this PDF document is generated from our online catalog. Please find the complete data in the user documentation. Our general terms of use for downloads are valid.



The figure shows the 12-pos.
product version

M23, Device connector rear mounting, application: Signal, series: RC, straight, shielded: yes, Screw locking mechanism, No. of pos.: 16+3, Direction of rotation: Standard, contact connection type: Pin, Solder-in connection, Radial O-ring, Panel thickness min.: 2.7 mm, Panel thickness max.: 3.5 mm, coding: N

Commercial data

| | |
|--------------------------------------|--------------------------------|
| Item number | 1614482 |
| Packing unit | 20 pc |
| Minimum order quantity | 1 pc |
| Note | Made to order (non-returnable) |
| Product key | ABRAFR |
| GTIN | 4046356883542 |
| Weight per piece (including packing) | 27.87 g |
| Weight per piece (excluding packing) | 27.87 g |
| Country of origin | DE |

RC-19P1NT24Z00 - Device connector rear mounting



1614482

<https://www.phoenixcontact.com/us/products/1614482>

Technical data

Product properties

| | |
|--------------|-----------------------------------|
| Product type | Circular connectors (device side) |
|--------------|-----------------------------------|

Connector

Insulating body

| | |
|---|--|
| Coding | N |
| Connection method | Solder-in connection |
| Contact switching type | Pin |
| Application | Signal |
| Number of positions | 19 |
| Direction of rotation | Standard |
| Connection profile | 16+3 |
| Number (Contact group 1) | 3 |
| Contact diameter (Contact group 1) | 1.5 mm |
| Litz wires Min. cross section (Contact group 1) | 0.08 mm ² |
| Litz wires Max. cross section (Contact group 1) | 1 mm ² |
| Rated current Contact (Contact group 1) | 10 A (for max. connection cross section) |
| Rated voltage Contact (Contact group 1) | 48 V AC 74 V DC |
| Rated surge voltage | 1.5 kV |
| Overvoltage category | III |
| Degree of pollution | 3 |
| Number (Contact group 2) | 16 |
| Contact diameter (Contact group 2) | 1 mm |
| Litz wires Max. cross section (Contact group 2) | 1 mm ² |
| Rated current Contact (Contact group 2) | 8 A |

Housing

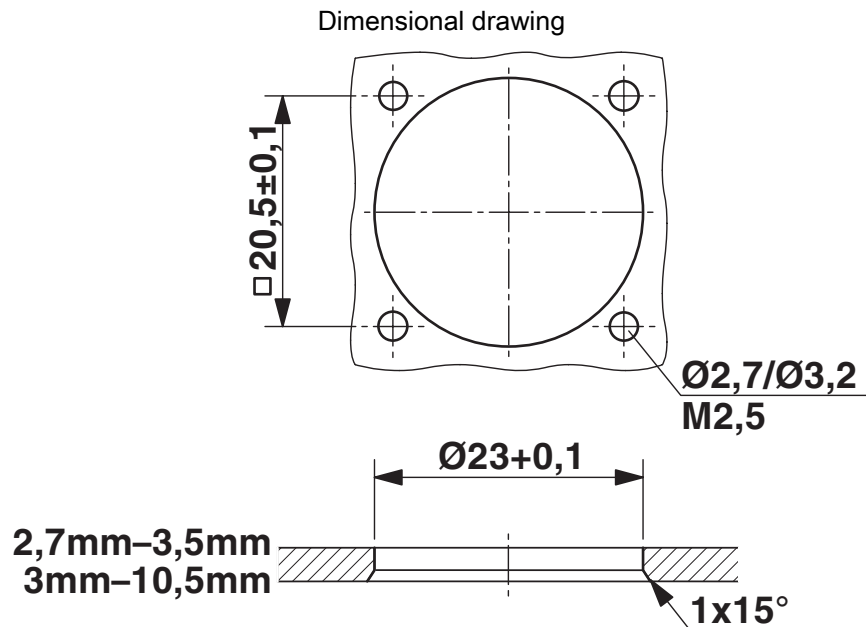
| | |
|-----------------------------------|---------------------------------------|
| Order information: | Order contact inserts separately |
| Type | Flange housing |
| Thread type | M23 |
| Design | straight |
| Type of locking | Screw locking mechanism |
| Pg screw connection | none |
| Mounting type | Rear mounting/square flange (4x M2,5) |
| Housing material | GD-Zn |
| Degree of protection (plugged in) | IP67 |
| Seal for the device | Radial O-ring |

RC-19P1NT24Z00 - Device connector rear mounting

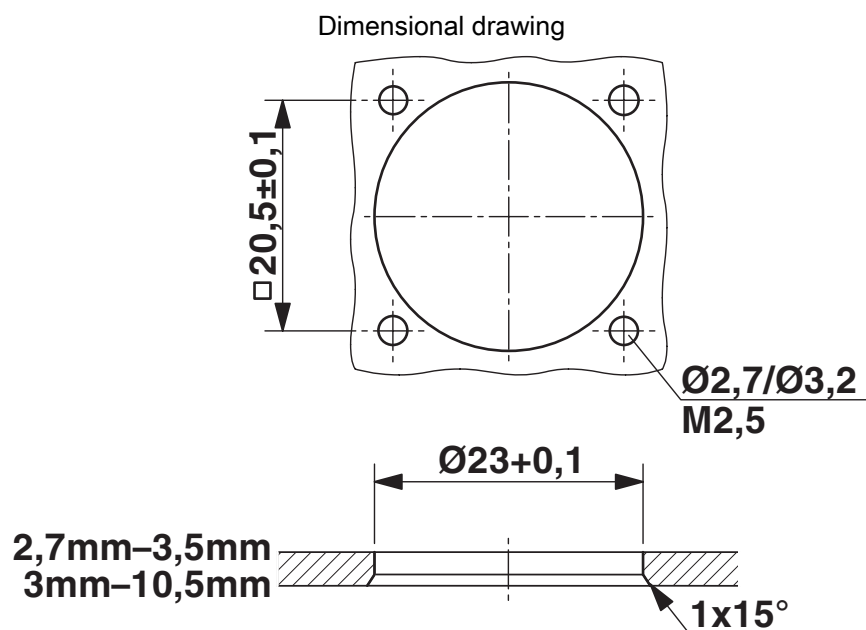
1614482

<https://www.phoenixcontact.com/us/products/1614482>

Drawings



Installation dimensions



Installation dimensions

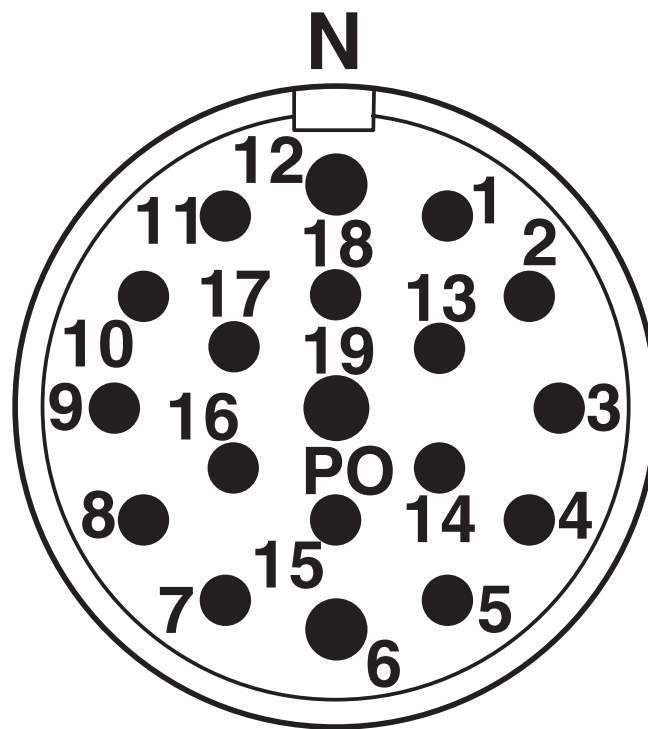
RC-19P1NT24Z00 - Device connector rear mounting



1614482

<https://www.phoenixcontact.com/us/products/1614482>

Schematic diagram



Connector pin assignment

RC-19P1NT24Z00 - Device connector rear mounting



1614482

<https://www.phoenixcontact.com/us/products/1614482>

Classifications

UNSPSC

| | |
|-------------|----------|
| UNSPSC 21.0 | 39121400 |
|-------------|----------|

1614482

<https://www.phoenixcontact.com/us/products/1614482>

Environmental product compliance

EU RoHS

| | |
|---|------|
| Fulfills EU RoHS substance requirements | Yes |
| Exemption | 6(c) |

China RoHS

| | |
|--|---|
| Environment friendly use period (EFUP) | EFUP-50 |
| | An article-related China RoHS declaration table can be found in the download area for the respective article under "Manufacturer declaration". For all articles with EFUP-E, no China RoHS declaration table issued and required. |

EU REACH SVHC

| | |
|-------------------------------------|----------------------|
| REACH candidate substance (CAS No.) | Lead(CAS: 7439-92-1) |
|-------------------------------------|----------------------|

Phoenix Contact 2026 © - all rights reserved
<https://www.phoenixcontact.com>

Phoenix Contact USA
586 Fulling Mill Road
Middletown, PA 17057, United States
(+717) 944-1300
info@phoenixcon.com