

# SM-Z0012 - Special wrench



1614349

<https://www.phoenixcontact.com/us/products/1614349>

Please be informed that the data shown in this PDF document is generated from our online catalog. Please find the complete data in the user documentation. Our general terms of use for downloads are valid.

Special wrench, series: SM



## Commercial data

Item number	1614349
Packing unit	1 pc
Note	Made to order (non-returnable)
Sales key	AB36
Product key	ABRFBA
GTIN	4046356442046
Weight per piece (including packing)	117.3 g
Weight per piece (excluding packing)	117.3 g
Customs tariff number	82055980
Country of origin	DE

# SM-Z0012 - Special wrench

1614349

<https://www.phoenixcontact.com/us/products/1614349>



## Technical data

### Product properties

Product type	Circular connector (cable-side)
Series	SM

# SM-Z0012 - Special wrench

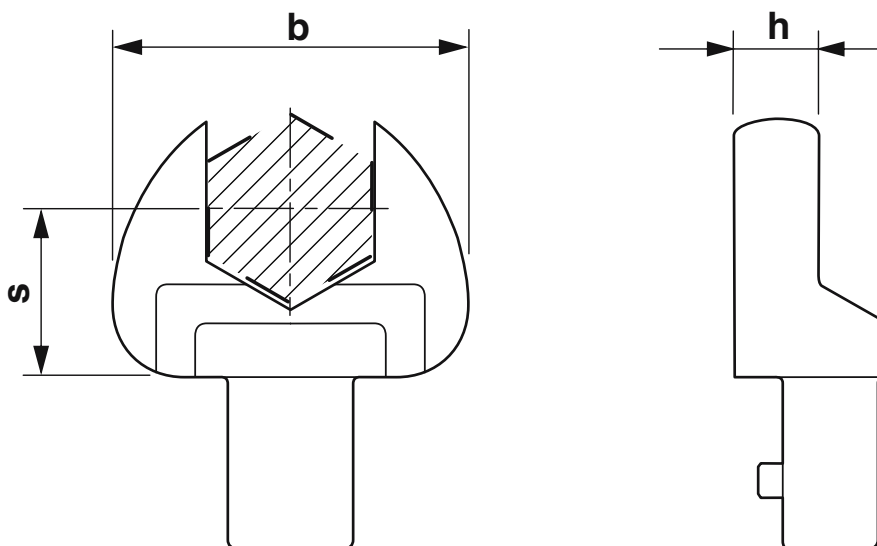
1614349

<https://www.phoenixcontact.com/us/products/1614349>



## Drawings

Dimensional drawing



s= 26 mm, b= 62 mm, h= 9 mm

# SM-Z0012 - Special wrench

1614349

<https://www.phoenixcontact.com/us/products/1614349>



## Classifications

### UNSPSC

UNSPSC 21.0	39121400
-------------	----------

# SM-Z0012 - Special wrench



1614349

<https://www.phoenixcontact.com/us/products/1614349>

## Environmental product compliance

### EU RoHS

Fulfills EU RoHS substance requirements	Not applicable, No electrical and electronic equipment (EEE), cannot be used in EEE
---	---

### EU REACH SVHC

REACH candidate substance (CAS No.)	No substance above 0.1 wt%
-------------------------------------	----------------------------

Phoenix Contact 2026 © - all rights reserved

<https://www.phoenixcontact.com>

Phoenix Contact USA  
586 Fulling Mill Road  
Middletown, PA 17057, United States  
(+717) 944-1300  
[info@phoenixcon.com](mailto:info@phoenixcon.com)