

# SL-Z0016 - Special wrench

1614348

<https://www.phoenixcontact.com/us/products/1614348>



Please be informed that the data shown in this PDF document is generated from our online catalog. Please find the complete data in the user documentation. Our general terms of use for downloads are valid.

Special wrench, series: SL



## Commercial data

Item number	1614348
Packing unit	1 pc
Minimum order quantity	1 pc
Note	Made to order (non-returnable)
Sales key	AB38
Product key	ABRFBA
GTIN	4046356442039
Weight per piece (including packing)	153.5 g
Weight per piece (excluding packing)	153.5 g
Customs tariff number	82055980
Country of origin	DE

# SL-Z0016 - Special wrench

1614348

<https://www.phoenixcontact.com/us/products/1614348>



## Technical data

### Product properties

Product type	Screwdriver tools
Series	SL

# SL-Z0016 - Special wrench

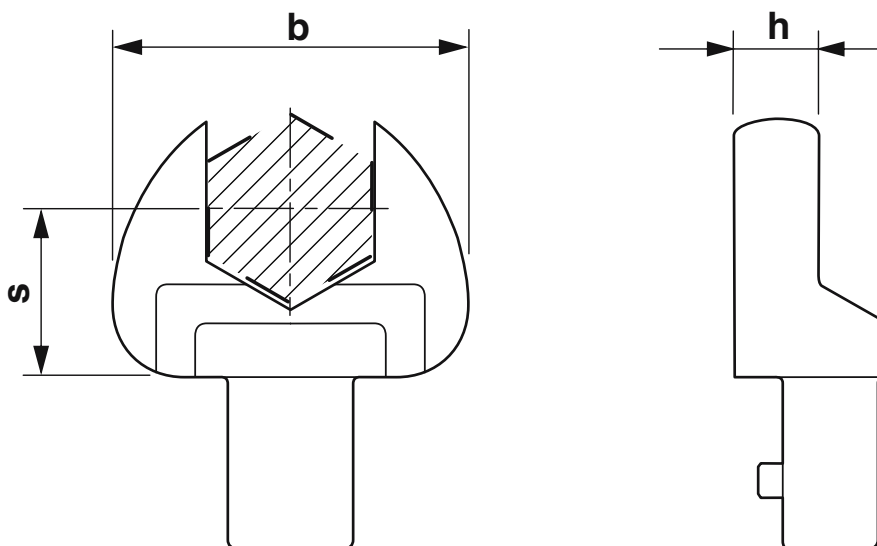
1614348

<https://www.phoenixcontact.com/us/products/1614348>



## Drawings

Dimensional drawing



s= 35 mm, b= 79 mm, h= 9 mm

# SL-Z0016 - Special wrench

1614348

<https://www.phoenixcontact.com/us/products/1614348>



## Classifications

### ECLASS

ECLASS-13.0

27440312

### ETIM

ETIM 9.0

EC002641

### UNSPSC

UNSPSC 21.0

39121400

# SL-Z0016 - Special wrench



1614348

<https://www.phoenixcontact.com/us/products/1614348>

## Environmental product compliance

### EU RoHS

Fulfills EU RoHS substance requirements

Not applicable, No electrical and electronic equipment (EEE), cannot be used in EEE

### EU REACH SVHC

REACH candidate substance (CAS No.)

No substance above 0.1 wt%

Phoenix Contact 2026 © - all rights reserved

<https://www.phoenixcontact.com>

Phoenix Contact USA  
586 Fulling Mill Road  
Middletown, PA 17057, United States  
(+717) 944-1300  
[info@phoenixcon.com](mailto:info@phoenixcon.com)