

RF-Z0007 - Special wrench



1614347

<https://www.phoenixcontact.com/us/products/1614347>

Please be informed that the data shown in this PDF document is generated from our online catalog. Please find the complete data in the user documentation. Our general terms of use for downloads are valid.

Special wrench, series: RF



Commercial data

Item number	1614347
Packing unit	1 pc
Minimum order quantity	1 pc
Note	Made to order (non-returnable)
Sales key	AB38
Product key	ABRFBA
GTIN	4046356442015
Weight per piece (including packing)	59.8 g
Weight per piece (excluding packing)	58.5 g
Customs tariff number	82055980
Country of origin	DE

RF-Z0007 - Special wrench

1614347

<https://www.phoenixcontact.com/us/products/1614347>



Technical data

Product properties

Product type	Mounting material
Series	RF

Electrical properties

Contact

Rated surge voltage	6 kV
---------------------	------

RF-Z0007 - Special wrench

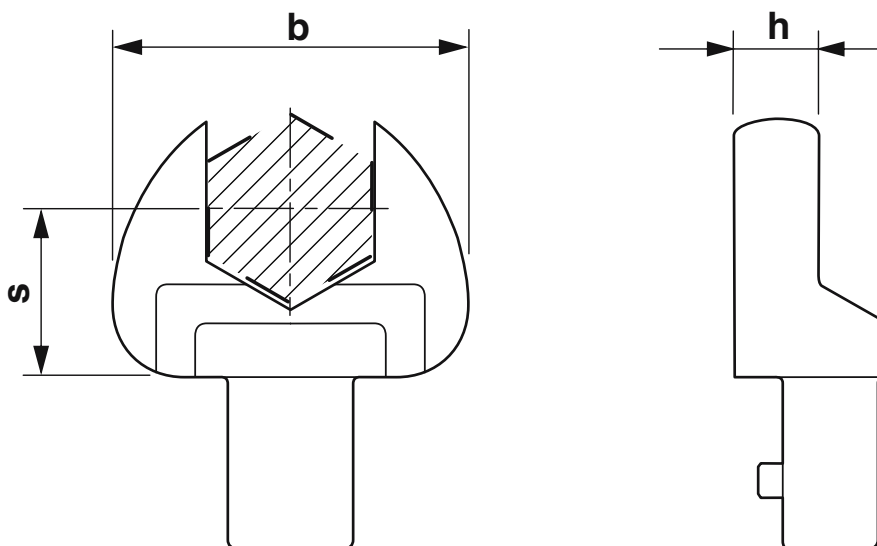
1614347

<https://www.phoenixcontact.com/us/products/1614347>



Drawings

Dimensional drawing



s= 17 mm, b= 42 mm, h= 9 mm

RF-Z0007 - Special wrench



1614347

<https://www.phoenixcontact.com/us/products/1614347>

Classifications

ECLASS

ECLASS-15.0	27440312
ECLASS-13.0	27440312

ETIM

ETIM 10.0	EC002641
-----------	----------

UNSPSC

UNSPSC 21.0	39121400
-------------	----------

RF-Z0007 - Special wrench



1614347

<https://www.phoenixcontact.com/us/products/1614347>

Environmental product compliance

EU RoHS

Fulfills EU RoHS substance requirements	Not applicable, No electrical and electronic equipment (EEE), cannot be used in EEE
---	---

EU REACH SVHC

REACH candidate substance (CAS No.)	No substance above 0.1 wt%
-------------------------------------	----------------------------

Phoenix Contact 2026 © - all rights reserved

<https://www.phoenixcontact.com>

Phoenix Contact USA
586 Fulling Mill Road
Middletown, PA 17057, United States
(+717) 944-1300
info@phoenixcon.com