

TU-19P1N124100 - Device connector rear mounting



1614309

<https://www.phoenixcontact.com/us/products/1614309>

Please be informed that the data shown in this PDF document is generated from our online catalog. Please find the complete data in the user documentation. Our general terms of use for downloads are valid.



M23, Device connector rear mounting, application: Signal, series: TU, straight, shielded: yes, Bayonet locking, No. of pos.: 16+3, Direction of rotation: Standard, contact connection type: Pin, Solder cup, Flat gasket, Panel thickness max.: 2.5 mm, coding: N

Commercial data

Item number	1614309
Packing unit	10 pc
Minimum order quantity	1 pc
Note	Made to order (non-returnable)
Product key	ABRAHR
GTIN	4046356404716
Weight per piece (including packing)	51.21 g
Weight per piece (excluding packing)	51.21 g
Country of origin	DE

TU-19P1N124100 - Device connector rear mounting



1614309

<https://www.phoenixcontact.com/us/products/1614309>

Technical data

Product properties

Product type	Circular connector (cable-side)
--------------	---------------------------------

Connector

Insulating body

Coding	N
Material (Insulating body)	PA 6.6
Material (Contact)	CuZn
Material (Contact surface)	Ni/Au
Insertion/withdrawal cycles	100
Connection method	Solder cup
Contact switching type	Pin
Application	Signal
Number of positions	19
Direction of rotation	Standard
Connection profile	16+3
Number (Contact group 1)	3
Contact diameter (Contact group 1)	1.5 mm
Litz wires Min. cross section (Contact group 1)	0.08 mm ²
Litz wires Max. cross section (Contact group 1)	1 mm ²
Rated current Contact (Contact group 1)	10 A (for max. connection cross section)
Rated voltage Contact (Contact group 1)	48 V AC 74 V DC
Rated surge voltage	1.5 kV
Overvoltage category	III
Degree of pollution	3
Number (Contact group 2)	16
Contact diameter (Contact group 2)	1 mm
Litz wires Max. cross section (Contact group 2)	1 mm ²
Rated current Contact (Contact group 2)	8 A

Housing

Order information:	Order contact inserts separately
Type	Flange housing
Thread type	M23
Design	straight
Type of locking	Bayonet locking
Pg screw connection	none
Mounting type	Rear mounting/square flange (4x M3)
Material (Housing)	GD-Zn
Material (Housing surface)	Ni

TU-19P1N124100 - Device connector rear mounting



1614309

<https://www.phoenixcontact.com/us/products/1614309>

Material (Rotating parts)	CuZn
Degree of protection (plugged in)	IP67
Seal for the device	Flat gasket

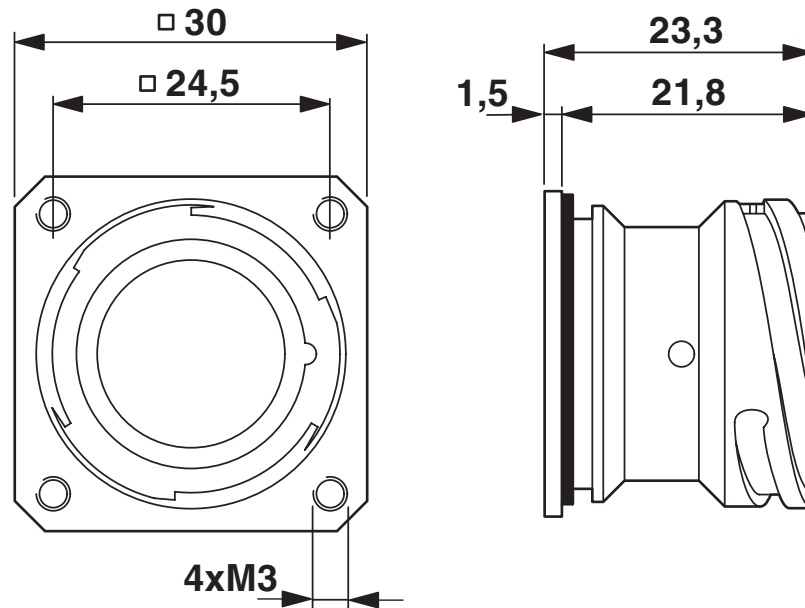
TU-19P1N124100 - Device connector rear mounting

1614309

<https://www.phoenixcontact.com/us/products/1614309>

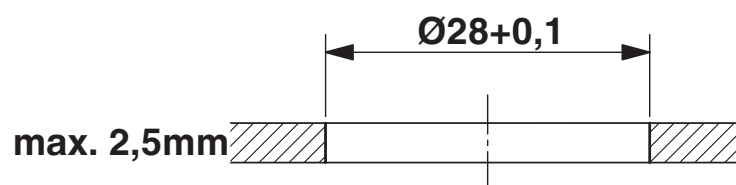
Drawings

Dimensional drawing



Dimensional drawing

Dimensional drawing



Installation dimensions

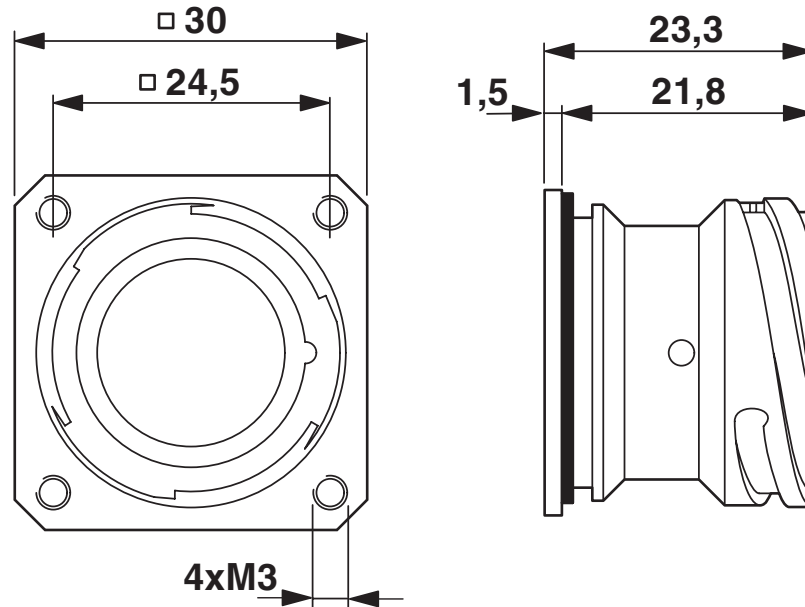
TU-19P1N124100 - Device connector rear mounting



1614309

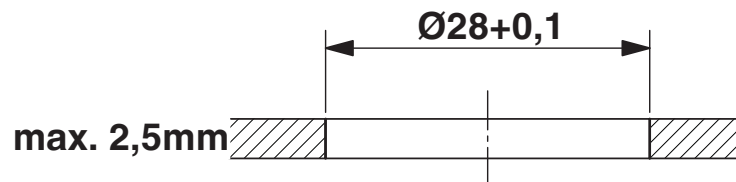
<https://www.phoenixcontact.com/us/products/1614309>

Dimensional drawing



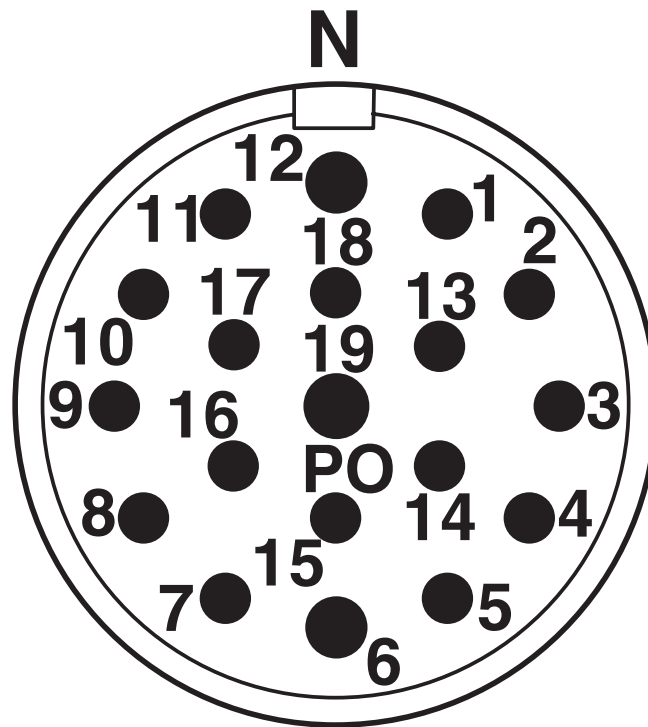
Dimensional drawing

Dimensional drawing



Installation dimensions

Schematic diagram



Connector pin assignment

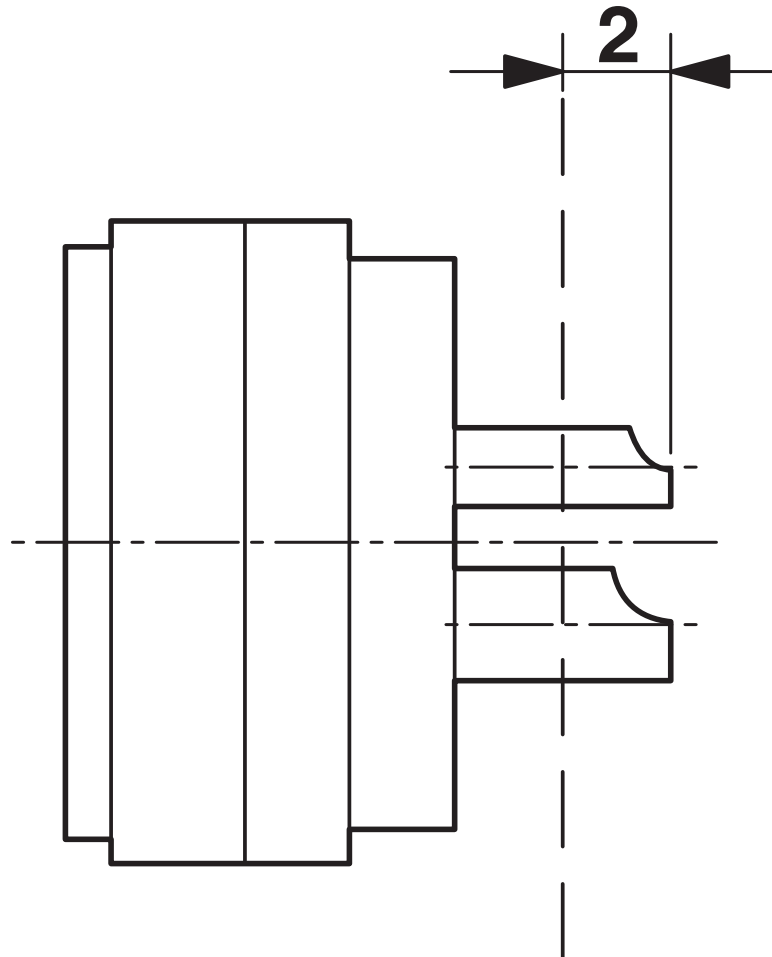
TU-19P1N124100 - Device connector rear mounting



1614309

<https://www.phoenixcontact.com/us/products/1614309>

Schematic diagram



Dimensional drawing

Phoenix Contact 2026 © - all rights reserved
<https://www.phoenixcontact.com>

Phoenix Contact USA
586 Fulling Mill Road
Middletown, PA 17057, United States
(+717) 944-1300
info@phoenixcon.com