

RC-16P1N12Q0R9 - Rear panel feed-through



1614186

<https://www.phoenixcontact.com/us/products/1614186>

Please be informed that the data shown in this PDF document is generated from our online catalog. Please find the complete data in the user documentation. Our general terms of use for downloads are valid.



M23, Rear panel feed-through, application: Signal, series: RC, straight, shielded: yes, No. of pos.: 16, Direction of rotation: Standard, contact connection type: Pin, Solder cup, Axial O-ring, cable diameter range: 7.5 mm ... 9.5 mm, coding: N. This product is in the process of being discontinued. This product must no longer be considered for new projects. Please contact your sales representative for alternatives.

Commercial data

Item number	1614186
Packing unit	12 pc
Minimum order quantity	1 pc
Note	Made to order (non-returnable)
Product key	ABRAFJ
GTIN	4046356404105
Weight per piece (including packing)	110.2 g
Weight per piece (excluding packing)	99.643 g
Country of origin	DE

RC-16P1N12Q0R9 - Rear panel feed-through



1614186

<https://www.phoenixcontact.com/us/products/1614186>

Technical data

Product properties

Product type	Circular connectors (device side)
--------------	-----------------------------------

Connector

Insulating body

Coding	N
Material (Insulating body)	PBT
Material (Contact)	CuZn
Material (Contact surface)	Ni/Au
Insertion/withdrawal cycles	50
Connection method	Solder cup
Contact switching type	Pin
Application	Signal
Number of positions	16
Direction of rotation	Standard
Connection profile	16
Number (Contact group 1)	16
Contact diameter (Contact group 1)	1 mm
Litz wires Min. cross section (Contact group 1)	0.08 mm ²
Litz wires Max. cross section (Contact group 1)	1 mm ²
Rated current Contact (Contact group 1)	8 A (for max. connection cross section)
Rated voltage Contact (Contact group 1)	48 V AC 74 V DC
Rated surge voltage	1.5 kV
Overvoltage category	III
Degree of pollution	3

Housing

Type	Feed-through header
Thread type	M23
Design	straight
Mounting type	Rear mounting
Assembly note	Central fastening
Material (Housing)	GD-Zn
Material (Housing surface)	Ni
Material (Rotating parts)	CuZn
Degree of protection (plugged in)	IP67
Seal for the device	Axial O-ring

Seal

External cable diameter	7.5 mm ... 9.5 mm
Seal material	NBR

RC-16P1N12Q0R9 - Rear panel feed-through

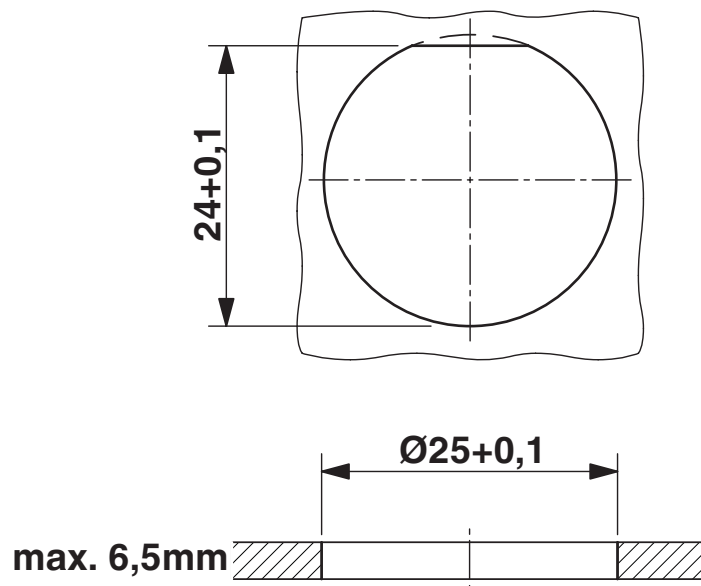


1614186

<https://www.phoenixcontact.com/us/products/1614186>

Drawings

Dimensional drawing



Installation dimensions

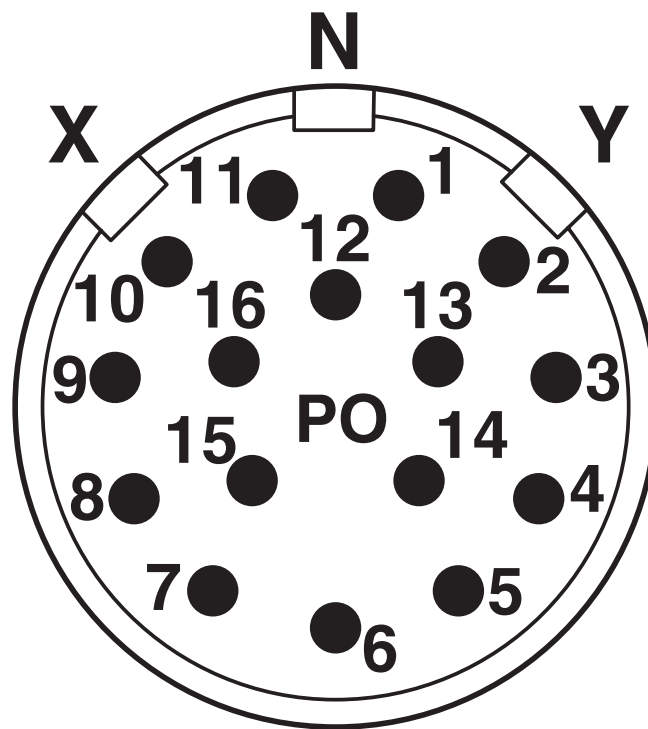
RC-16P1N12Q0R9 - Rear panel feed-through



1614186

<https://www.phoenixcontact.com/us/products/1614186>

Schematic diagram



Connector pin assignment

RC-16P1N12Q0R9 - Rear panel feed-through



1614186

<https://www.phoenixcontact.com/us/products/1614186>

Schematic diagram



Dimensional drawing

RC-16P1N12Q0R9 - Rear panel feed-through



1614186

<https://www.phoenixcontact.com/us/products/1614186>

Classifications

ECLASS

ECLASS-13.0	27440109
ECLASS-15.0	27440109

ETIM

ETIM 10.0	EC003569
-----------	----------

UNSPSC

UNSPSC 21.0	39121400
-------------	----------

RC-16P1N12Q0R9 - Rear panel feed-through



1614186

<https://www.phoenixcontact.com/us/products/1614186>

Environmental product compliance

EU RoHS

Fulfills EU RoHS substance requirements	Yes
Exemption	6(c)

China RoHS

Environment friendly use period (EFUP)	EFUP-50
	An article-related China RoHS declaration table can be found in the download area for the respective article under "Manufacturer declaration". For all articles with EFUP-E, no China RoHS declaration table issued and required.

EU REACH SVHC

REACH candidate substance (CAS No.)	Lead(CAS: 7439-92-1)
SCIP	e7636905-44a5-48ba-98c7-e1b5df38e634

Phoenix Contact 2026 © - all rights reserved
<https://www.phoenixcontact.com>

Phoenix Contact USA
586 Fulling Mill Road
Middletown, PA 17057, United States
(+717) 944-1300
info@phoenixcon.com