

# RF-12S1S8A9V02 - Coupler connector



1613973

<https://www.phoenixcontact.com/us/products/1613973>

Please be informed that the data shown in this PDF document is generated from our online catalog. Please find the complete data in the user documentation. Our general terms of use for downloads are valid.



Coupler connector, application: Feedback, signal, straight, Screw locking mechanism, M23, number of positions: 12, contact connection type: Socket, shielded: yes, cable diameter range: 6 mm ... 10 mm, number of positions: 12, connection method: Crimp connection, series: RF

## Commercial data

Item number	1613973
Packing unit	20 pc
Minimum order quantity	1 pc
Note	Made to order (non-returnable)
Product key	ABRAGW
GTIN	4046356443173
Weight per piece (including packing)	109.57 g
Weight per piece (excluding packing)	109.57 g
Country of origin	DE

# RF-12S1S8A9V02 - Coupler connector



1613973

<https://www.phoenixcontact.com/us/products/1613973>

## Technical data

### Notes

Order information:	Order crimp contacts Ø 1 mm separately
--------------------	--

### Product properties

Product type	Circular connector (cable-side)
Series	RF
Application	Feedback, signal
Number of positions	12
Connection profile	12
Shielded	yes
Coding	S
Thread type	M23

### Material specifications

Seal material	FPM
Housing material	Metal
Housing material	High-grade steel 1.4305

### Connection data

Conductor connection	
Connection method	Crimp connection

### Electrical properties

Contact	
Contact diameter	1 mm
Nominal current $I_N$	8 A
Nominal voltage $U_N$	150 V
Overvoltage category	III
Degree of pollution	3
Rated surge voltage	2.5 kV

### Connector

Type	straight
Direction of rotation	Standard

### Cable/line

External cable diameter	6 mm ... 10 mm
-------------------------	----------------

### Environmental and real-life conditions

Ambient conditions	
Degree of protection	IP67

# RF-12S1S8A9V02 - Coupler connector



1613973

<https://www.phoenixcontact.com/us/products/1613973>

Ambient temperature (operation)	-20 °C ... 125 °C
Altitude	2000 m

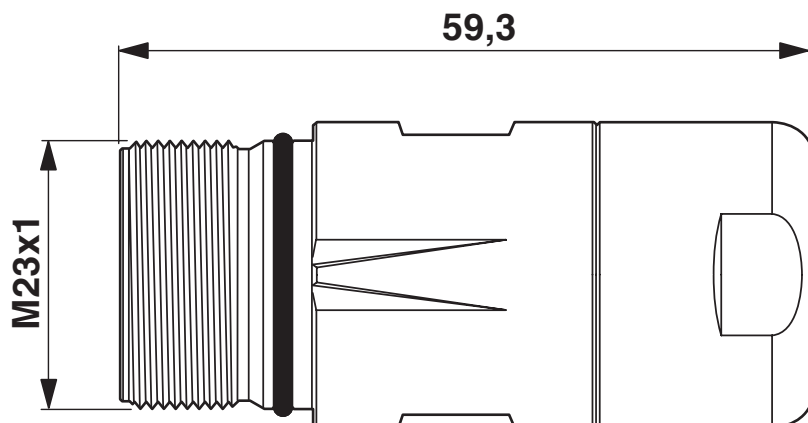
# RF-12S1S8A9V02 - Coupler connector

1613973

<https://www.phoenixcontact.com/us/products/1613973>

## Drawings

Dimensional drawing



# RF-12S1S8A9V02 - Coupler connector



1613973

<https://www.phoenixcontact.com/us/products/1613973>

## Environmental product compliance

### China RoHS

Environment friendly use period (EFUP)	EFUP-50
	An article-related China RoHS declaration table can be found in the download area for the respective article under "Manufacturer declaration". For all articles with EFUP-E, no China RoHS declaration table issued and required.

### EU REACH SVHC

REACH candidate substance (CAS No.)	No substance above 0.1 wt%
-------------------------------------	----------------------------

Phoenix Contact 2026 © - all rights reserved  
<https://www.phoenixcontact.com>

Phoenix Contact USA  
586 Fulling Mill Road  
Middletown, PA 17057, United States  
(+717) 944-1300  
[info@phoenixcon.com](mailto:info@phoenixcon.com)