

# TU-12S1N124100 - Device connector rear mounting



1613944

<https://www.phoenixcontact.com/us/products/1613944>

Please be informed that the data shown in this PDF document is generated from our online catalog. Please find the complete data in the user documentation. Our general terms of use for downloads are valid.



M23, Device connector rear mounting, application: Signal, series: TU, straight, shielded: yes, Bayonet locking, No. of pos.: 12, Direction of rotation: Standard, contact connection type: Socket, Solder cup, Flat gasket, Panel thickness max.: 2.5 mm, coding: N

## Commercial data

Item number	1613944
Packing unit	10 pc
Minimum order quantity	1 pc
Note	Made to order (non-returnable)
Product key	ABRAHR
GTIN	4046356403375
Weight per piece (including packing)	49.65 g
Weight per piece (excluding packing)	49.65 g
Country of origin	DE

1613944

<https://www.phoenixcontact.com/us/products/1613944>

## Technical data

### Product properties

Product type	Circular connector (cable-side)
--------------	---------------------------------

### Connector

#### Insulating body

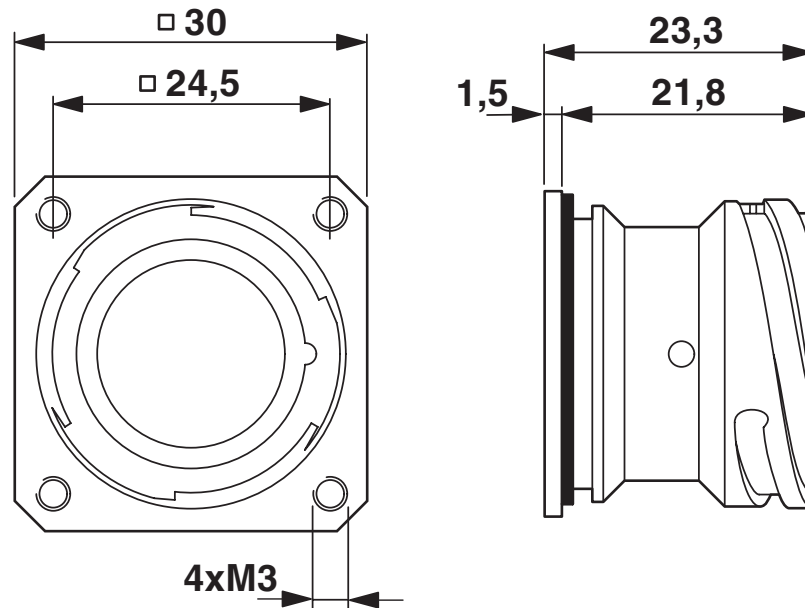
Coding	N
Material (Insulating body)	PBT
Material (Contact)	CuZn
Material (Contact surface)	Ni/Au
Insertion/withdrawal cycles	50
Connection method	Solder cup
Contact switching type	Socket
Application	Signal
Number of positions	12
Direction of rotation	Standard
Connection profile	12
Number (Contact group 1)	12
Contact diameter (Contact group 1)	1 mm
Litz wires Min. cross section (Contact group 1)	0.08 mm <sup>2</sup>
Litz wires Max. cross section (Contact group 1)	1 mm <sup>2</sup>
Rated current Contact (Contact group 1)	8 A (for max. connection cross section)
Rated voltage Contact (Contact group 1)	48 V AC 74 V DC
Rated surge voltage	1.5 kV
Overvoltage category	III
Degree of pollution	3

#### Housing

Order information:	Order contact inserts separately
Type	Flange housing
Thread type	M23
Design	straight
Type of locking	Bayonet locking
Pg screw connection	none
Mounting type	Rear mounting/square flange (4x M3)
Material (Housing)	GD-Zn
Material (Housing surface)	Ni
Material (Rotating parts)	CuZn
Degree of protection (plugged in)	IP67
Seal for the device	Flat gasket

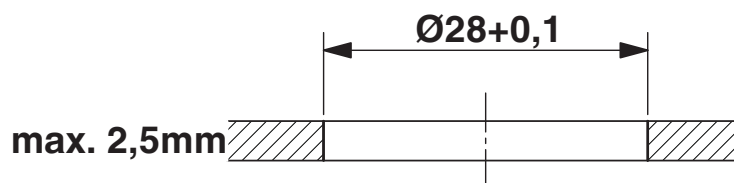
Drawings

Dimensional drawing



Dimensional drawing

Dimensional drawing



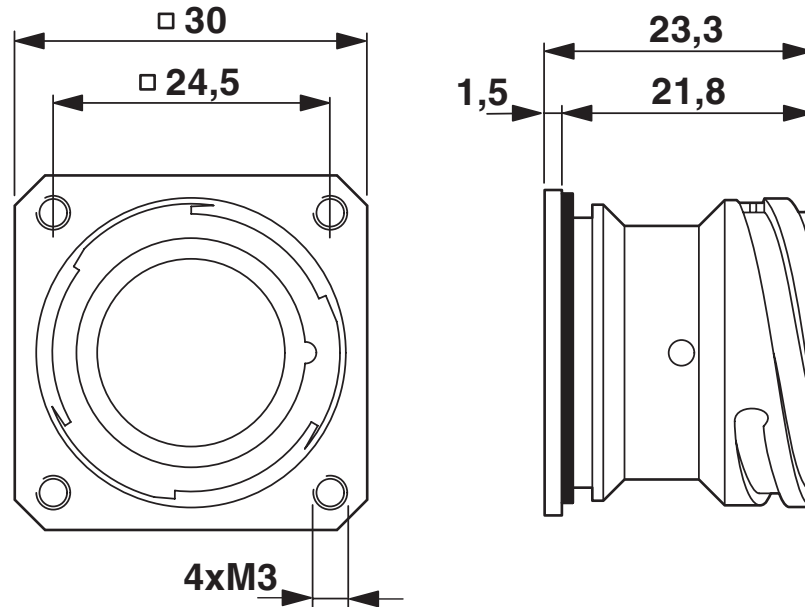
Installation dimensions

# TU-12S1N124100 - Device connector rear mounting

1613944

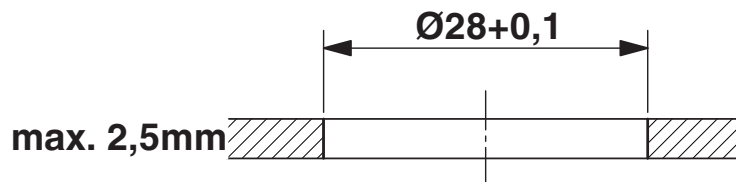
<https://www.phoenixcontact.com/us/products/1613944>

Dimensional drawing



Dimensional drawing

Dimensional drawing



Installation dimensions

Schematic diagram



Connector pin assignment

# TU-12S1N124100 - Device connector rear mounting



1613944

<https://www.phoenixcontact.com/us/products/1613944>

Schematic diagram



Dimensional drawing

# TU-12S1N124100 - Device connector rear mounting



1613944

<https://www.phoenixcontact.com/us/products/1613944>

## Environmental product compliance

### China RoHS

Environment friendly use period (EFUP)	EFUP-50
	An article-related China RoHS declaration table can be found in the download area for the respective article under "Manufacturer declaration". For all articles with EFUP-E, no China RoHS declaration table issued and required.

### EU REACH SVHC

REACH candidate substance (CAS No.)	No substance above 0.1 wt%
-------------------------------------	----------------------------

Phoenix Contact 2026 © - all rights reserved  
<https://www.phoenixcontact.com>

Phoenix Contact USA  
586 Fulling Mill Road  
Middletown, PA 17057, United States  
(+717) 944-1300  
[info@phoenixcon.com](mailto:info@phoenixcon.com)