

RC-19P1NRAAD00 - Device connector front mounting



1613885

<https://www.phoenixcontact.com/us/products/1613885>

Please be informed that the data shown in this PDF document is generated from our online catalog. Please find the complete data in the user documentation. Our general terms of use for downloads are valid.



M23, Device connector front mounting, application: Signal, series: RC, angled rotatable, shielded: yes, Screw locking mechanism, Crimp connection, Axial O-ring

The figure shows the 12-pos.
product version

Commercial data

Item number	1613885
Packing unit	16 pc
Minimum order quantity	1 pc
Note	Made to order (non-returnable)
Product key	ABRAFM
GTIN	4046356402910
Weight per piece (including packing)	112.39 g
Weight per piece (excluding packing)	112.39 g
Country of origin	DE

1613885

<https://www.phoenixcontact.com/us/products/1613885>

Technical data

Product properties

Product type	Circular connectors (device side)
--------------	-----------------------------------

Connector

Insulating body

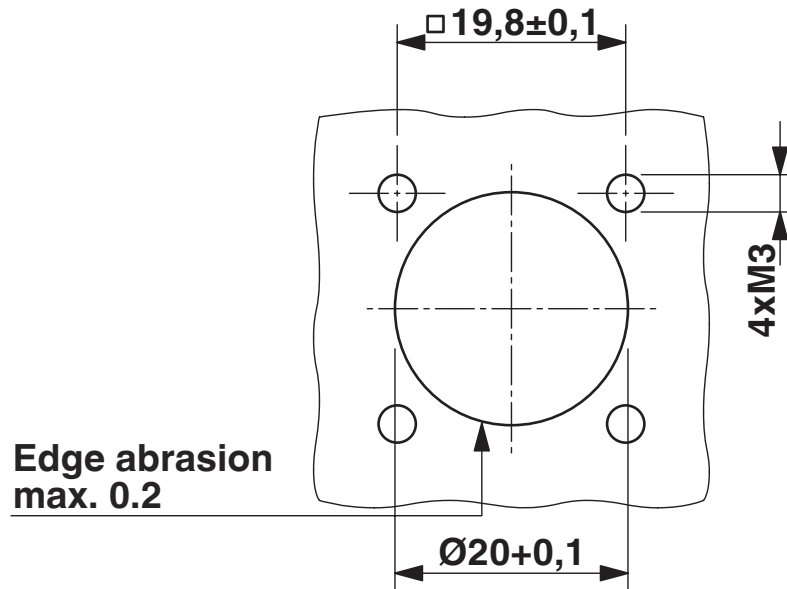
Connection method	Crimp connection
Application	Signal

Housing

Type	Flange housing
Thread type	M23
Design	angled rotatable
Type of locking	Screw locking mechanism
Pg screw connection	none
Mounting type	Front mounting/square flange (4x Ø 3.2 mm)
Material (Housing)	GD-Zn
Material (Housing surface)	Ni
Material (Rotating parts)	CuZn
Material (Seal)	FKM
Degree of protection (plugged in)	IP67
Seal for the device	Axial O-ring

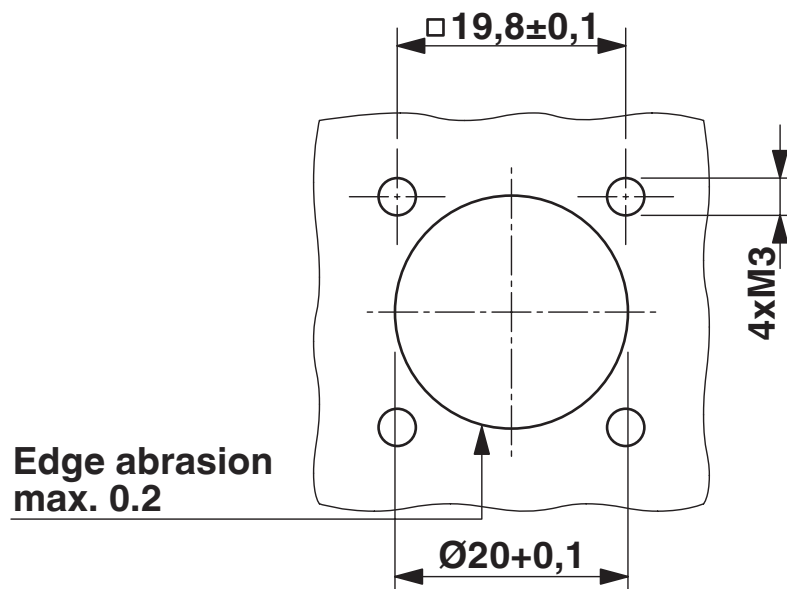
Drawings

Dimensional drawing



Installation dimensions

Dimensional drawing



Installation dimensions

RC-19P1NRAAD00 - Device connector front mounting



1613885

<https://www.phoenixcontact.com/us/products/1613885>

Environmental product compliance

EU REACH SVHC

REACH candidate substance (CAS No.)	
-------------------------------------	--

	No substance above 0.1 wt%
--	----------------------------

Phoenix Contact 2026 © - all rights reserved

<https://www.phoenixcontact.com>

Phoenix Contact USA
586 Fulling Mill Road
Middletown, PA 17057, United States
(+717) 944-1300
info@phoenixcon.com