

RF-16S2N8AWA00 - Device connector front mounting



1613801

<https://www.phoenixcontact.com/us/products/1613801>

Please be informed that the data shown in this PDF document is generated from our online catalog. Please find the complete data in the user documentation. Our general terms of use for downloads are valid.



The figure shows the 12-pos. product version with standard contact chamber numbering

Device connector front mounting, application: Signal, straight, Screw locking mechanism, M23, number of positions: 16, contact connection type: Socket, Axial O-ring, shielded: yes, number of positions: 16, connection method: Crimp connection, series: RF

Commercial data

Item number	1613801
Packing unit	20 pc
Minimum order quantity	1 pc
Note	Made to order (non-returnable)
Sales key	AB31
Product key	ABRAGL
GTIN	4046356402453
Weight per piece (including packing)	35.65 g
Weight per piece (excluding packing)	31.072 g
Customs tariff number	85366990
Country of origin	DE

1613801

<https://www.phoenixcontact.com/us/products/1613801>

Technical data

Notes

Order information:	Order crimp contacts Ø 1 mm separately
--------------------	--

Mounting

Mounting type	Front mounting/square flange (4x Ø 3.2 mm)
---------------	--

Product properties

Product type	Circular connectors (device side)
Series	RF
Application	Signal
	Signal
Number of positions	16
Connection profile	16
Shielded	yes
Coding	N
Thread type	M23

Material specifications

Material Housing	GD-Zn
Material Rotating parts	CuZn
Material Housing surface	Ni
Material Insulating body	PA 6.6
Material Seal	FPM (O-ring)
Flammability rating according to UL 94	V0

Electrical properties

Contact: Contact group 1

Contact diameter	1 mm
Nominal current I_N	8 A
Nominal voltage U_N	48 V AC
	74 V DC
Overvoltage category	III
Degree of pollution	3
Rated surge voltage	1.5 kV

Connection data

Conductor connection

Connection method	Crimp connection
Contact connection type	Socket

Connector

RF-16S2N8AWA00 - Device connector front mounting



1613801

<https://www.phoenixcontact.com/us/products/1613801>

Type	straight
Direction of rotation	Counter direction

Environmental and real-life conditions

Ambient conditions

Degree of protection	IP67
Ambient temperature (operation)	-20 °C ... 125 °C
Altitude	2000 m

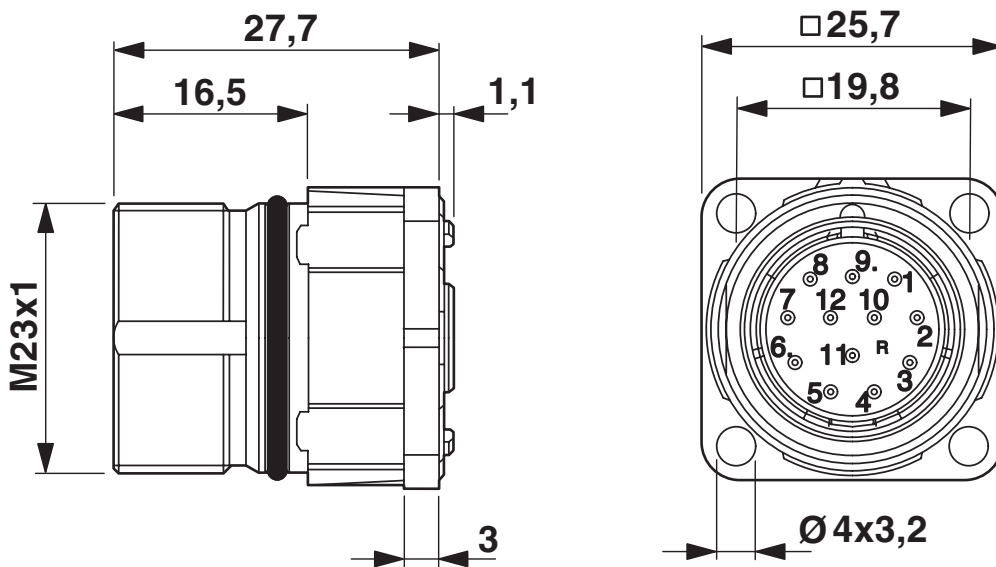
Drawings

Dimensional drawing



Housing bore holes

Dimensional drawing

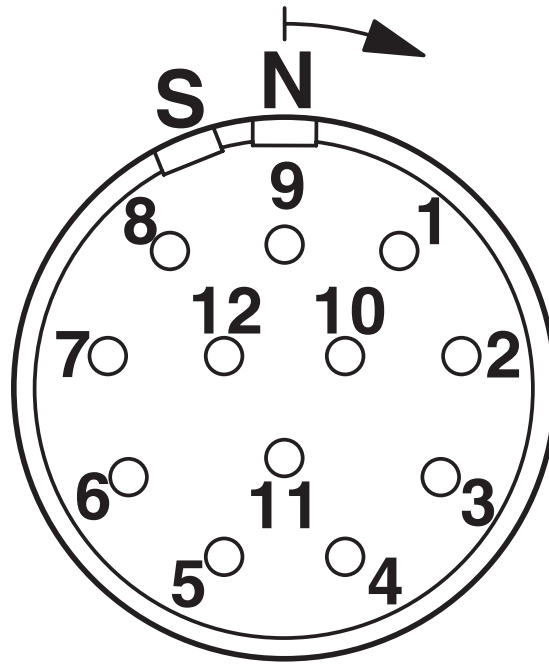


Dimensional drawing

1613801

<https://www.phoenixcontact.com/us/products/1613801>

Schematic diagram



Connector pin assignment

1613801

<https://www.phoenixcontact.com/us/products/1613801>

Classifications

ECLASS

ECLASS-13.0	27440109
ECLASS-15.0	27440109

ETIM

ETIM 9.0	EC003569
----------	----------

UNSPSC

UNSPSC 21.0	39121400
-------------	----------

RF-16S2N8AWA00 - Device connector front mounting



1613801

<https://www.phoenixcontact.com/us/products/1613801>

Environmental product compliance

EU RoHS

Fulfills EU RoHS substance requirements	Yes, No exemptions
---	--------------------

China RoHS

Environment friendly use period (EFUP)	EFUP-E
	No hazardous substances above the limits

EU REACH SVHC

REACH candidate substance (CAS No.)	No substance above 0.1 wt%
-------------------------------------	----------------------------

Phoenix Contact 2026 © - all rights reserved
<https://www.phoenixcontact.com>

Phoenix Contact USA
586 Fulling Mill Road
Middletown, PA 17057, United States
(+717) 944-1300
info@phoenixcon.com