

# RF-16S1N8AA200 - Device connector front mounting



1613784

<https://www.phoenixcontact.com/us/products/1613784>

Please be informed that the data shown in this PDF document is generated from our online catalog. Please find the complete data in the user documentation. Our general terms of use for downloads are valid.



The figure shows the 12-pos.  
product version

Device connector front mounting, application: Signal, angled fixed, Screw locking mechanism, M23, number of positions: 16, contact connection type: Socket, Axial O-ring, shielded: yes, flange dimensions: 26 mm x 26 mm, number of positions: 16, connection method: Crimp connection, series: RF

## Commercial data

|                                      |                                |
|--------------------------------------|--------------------------------|
| Item number                          | 1613784                        |
| Packing unit                         | 10 pc                          |
| Minimum order quantity               | 1 pc                           |
| Note                                 | Made to order (non-returnable) |
| Sales key                            | AB31                           |
| Product key                          | ABRAGM                         |
| GTIN                                 | 4046356402286                  |
| Weight per piece (including packing) | 157.9 g                        |
| Weight per piece (excluding packing) | 132.812 g                      |
| Customs tariff number                | 85366990                       |
| Country of origin                    | DE                             |

1613784

<https://www.phoenixcontact.com/us/products/1613784>

## Technical data

### Notes

|                    |                                        |
|--------------------|----------------------------------------|
| Order information: | Order crimp contacts Ø 1 mm separately |
|--------------------|----------------------------------------|

### Mounting

|               |                                            |
|---------------|--------------------------------------------|
| Mounting type | Front mounting/square flange (4x Ø 3.2 mm) |
|---------------|--------------------------------------------|

### Product properties

|                     |                                   |
|---------------------|-----------------------------------|
| Product type        | Circular connectors (device side) |
| Series              | RF                                |
| Application         | Signal                            |
|                     | Signal                            |
| Number of positions | 16                                |
| Connection profile  | 16                                |
| Shielded            | yes                               |
| Coding              | N                                 |
| Thread type         | M23                               |

### Dimensions

#### Housing

|                   |               |
|-------------------|---------------|
| Flange dimensions | 26 mm x 26 mm |
|-------------------|---------------|

### Material specifications

|                                        |              |
|----------------------------------------|--------------|
| Material Housing                       | GD-Zn        |
| Material Rotating parts                | CuZn         |
| Material Housing surface               | Ni           |
| Material Seal                          | FPM (O-ring) |
| Flammability rating according to UL 94 | V0           |

### Electrical properties

#### Contact: Contact group 1

|                       |         |
|-----------------------|---------|
| Contact diameter      | 1 mm    |
| Nominal current $I_N$ | 8 A     |
| Nominal voltage $U_N$ | 48 V AC |
|                       | 74 V DC |
| Overvoltage category  | III     |
| Degree of pollution   | 3       |
| Rated surge voltage   | 1.5 kV  |

### Connection data

#### Conductor connection

# RF-16S1N8AA200 - Device connector front mounting



1613784

<https://www.phoenixcontact.com/us/products/1613784>

|                         |                  |
|-------------------------|------------------|
| Connection method       | Crimp connection |
| Contact connection type | Socket           |

## Connector

|                       |              |
|-----------------------|--------------|
| Type                  | angled fixed |
| Direction of rotation | Standard     |

## Environmental and real-life conditions

### Ambient conditions

|                                 |                   |
|---------------------------------|-------------------|
| Degree of protection            | IP67              |
| Ambient temperature (operation) | -40 °C ... 125 °C |
| Altitude                        | 2000 m            |

# RF-16S1N8AA200 - Device connector front mounting

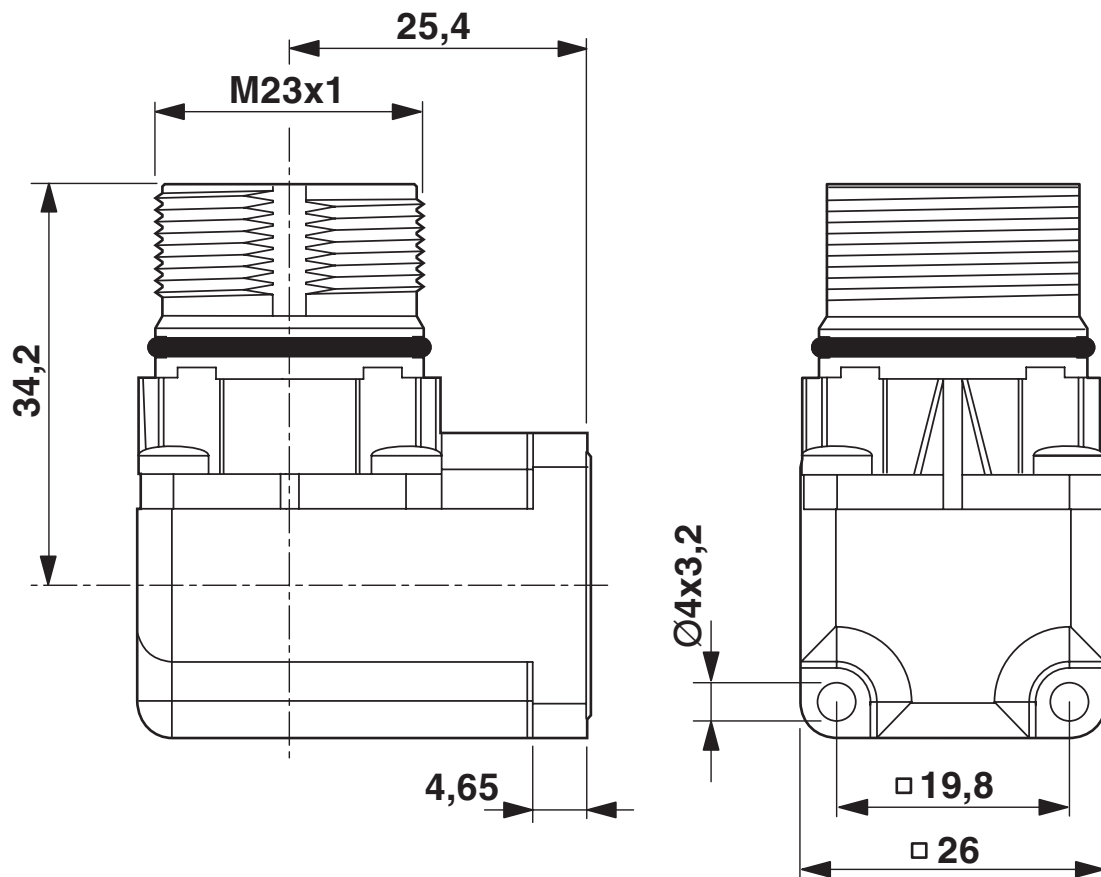


1613784

<https://www.phoenixcontact.com/us/products/1613784>

## Drawings

Dimensional drawing



Dimensional drawing

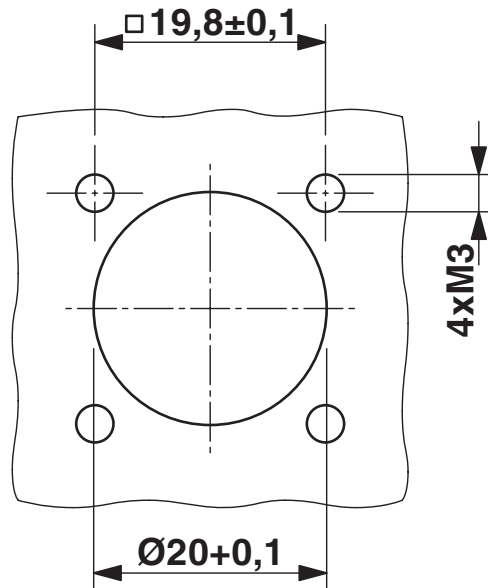
# RF-16S1N8AA200 - Device connector front mounting



1613784

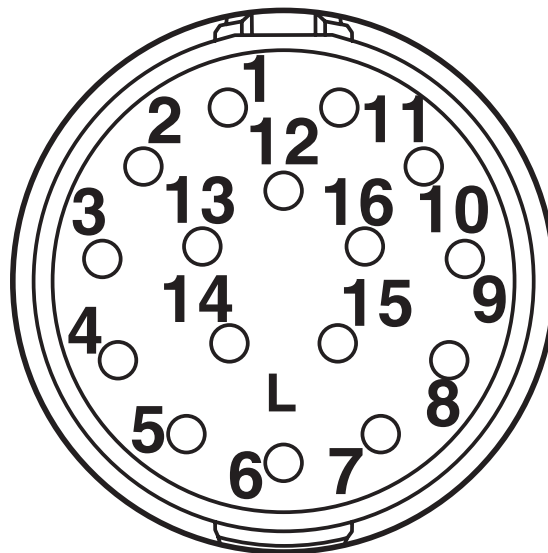
<https://www.phoenixcontact.com/us/products/1613784>

Dimensional drawing



Installation dimensions

Schematic diagram



Connector pin assignment

1613784

<https://www.phoenixcontact.com/us/products/1613784>

## Classifications

### ECLASS

|             |          |
|-------------|----------|
| ECLASS-13.0 | 27440109 |
| ECLASS-15.0 | 27440109 |

### ETIM

|          |          |
|----------|----------|
| ETIM 9.0 | EC003569 |
|----------|----------|

### UNSPSC

|             |          |
|-------------|----------|
| UNSPSC 21.0 | 39121400 |
|-------------|----------|

1613784

<https://www.phoenixcontact.com/us/products/1613784>

## Environmental product compliance

### EU RoHS

|                                         |      |
|-----------------------------------------|------|
| Fulfills EU RoHS substance requirements | Yes  |
| Exemption                               | 6(c) |

### China RoHS

|                                        |                                                                                                                                                                                                                                   |
|----------------------------------------|-----------------------------------------------------------------------------------------------------------------------------------------------------------------------------------------------------------------------------------|
| Environment friendly use period (EFUP) | EFUP-50                                                                                                                                                                                                                           |
|                                        | An article-related China RoHS declaration table can be found in the download area for the respective article under "Manufacturer declaration". For all articles with EFUP-E, no China RoHS declaration table issued and required. |

### EU REACH SVHC

|                                     |                                      |
|-------------------------------------|--------------------------------------|
| REACH candidate substance (CAS No.) | Lead(CAS: 7439-92-1)                 |
| SCIP                                | e77cbb3b-297a-4144-984d-b73b9903d978 |

Phoenix Contact 2026 © - all rights reserved

<https://www.phoenixcontact.com>

Phoenix Contact USA  
 586 Fulling Mill Road  
 Middletown, PA 17057, United States  
 (+717) 944-1300  
[info@phoenixcon.com](mailto:info@phoenixcon.com)