

RF-16S1N8A90DU - Coupler connector



1613783

<https://www.phoenixcontact.com/us/products/1613783>

Please be informed that the data shown in this PDF document is generated from our online catalog. Please find the complete data in the user documentation. Our general terms of use for downloads are valid.



The figure shows the 12-pos.
product version

Coupler connector, application: Feedback, signal, straight, Screw locking mechanism, M23, number of positions: 16, contact connection type: Socket, shielded: yes, cable diameter range: 5 mm ... 13.2 mm, number of positions: 16, connection method: Crimp connection, series: RF

Commercial data

Item number	1613783
Packing unit	1 pc
Note	Made to order (non-returnable)
Sales key	AB31
Product key	ABRAGG
GTIN	4046356402279
Weight per piece (including packing)	98.85 g
Weight per piece (excluding packing)	98.85 g
Customs tariff number	85366990
Country of origin	DE

RF-16S1N8A90DU - Coupler connector



1613783

<https://www.phoenixcontact.com/us/products/1613783>

Technical data

Notes

Order information:	Order crimp contacts Ø 1 mm separately
--------------------	----------------------------------------

Product properties

Product type	Circular connector (cable-side)
Series	RF
Application	Feedback, signal Signal
Number of positions	16
Connection profile	16
Shielded	yes
Coding	N
Thread type	M23

Material specifications

Seal material	FPM
Housing material	Metal
Housing material	Turned parts: copper zinc alloy (CuZn), die-cast parts: zinc (GD-Zn)
Insulator material	PA 6.6
Gasket and O-ring material	FPM

Connection data

Conductor connection

Connection method	Crimp connection
-------------------	------------------

Electrical properties

Contact

Contact diameter	1 mm
Nominal voltage U_N	48 V AC 74 V DC
Overvoltage category	III
Degree of pollution	3
Rated surge voltage	1.5 kV

Connector

Type	straight
Direction of rotation	Standard

Cable/line

External cable diameter	5 mm ... 13.2 mm
-------------------------	------------------

RF-16S1N8A90DU - Coupler connector



1613783

<https://www.phoenixcontact.com/us/products/1613783>

Environmental and real-life conditions

Ambient conditions

Degree of protection	IP67
Ambient temperature (operation)	-40 °C ... 125 °C
Altitude	2000 m

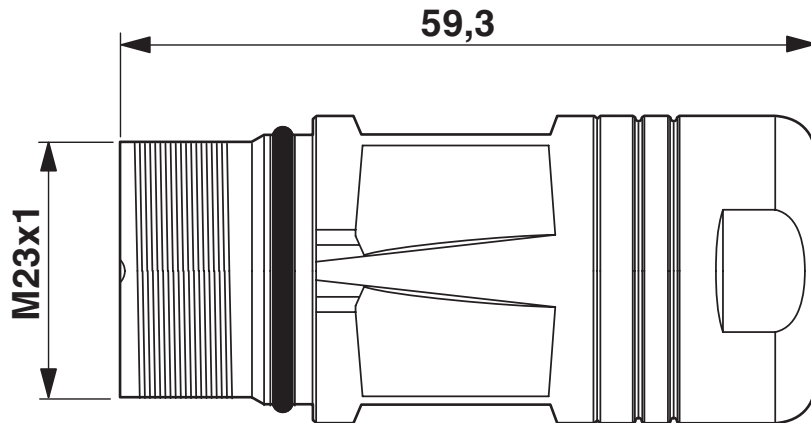
RF-16S1N8A90DU - Coupler connector

1613783

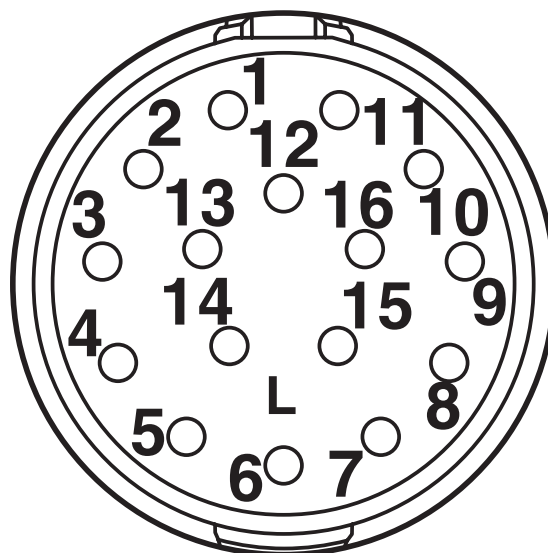
<https://www.phoenixcontact.com/us/products/1613783>

Drawings

Dimensional drawing



Schematic diagram



RF-16S1N8A90DU - Coupler connector



1613783

<https://www.phoenixcontact.com/us/products/1613783>

Classifications

UNSPSC

UNSPSC 21.0	39121413
-------------	----------

RF-16S1N8A90DU - Coupler connector



1613783

<https://www.phoenixcontact.com/us/products/1613783>

Environmental product compliance

EU RoHS

Fulfills EU RoHS substance requirements	Yes
Exemption	6(c)

China RoHS

Environment friendly use period (EFUP)	EFUP-50
	An article-related China RoHS declaration table can be found in the download area for the respective article under "Manufacturer declaration". For all articles with EFUP-E, no China RoHS declaration table issued and required.

EU REACH SVHC

REACH candidate substance (CAS No.)	No substance above 0.1 wt%
-------------------------------------	----------------------------

Phoenix Contact 2026 © - all rights reserved
<https://www.phoenixcontact.com>

Phoenix Contact USA
586 Fulling Mill Road
Middletown, PA 17057, United States
(+717) 944-1300
info@phoenixcon.com