

RF-17P1N8AWV00 - Device connector front mounting



1613736

<https://www.phoenixcontact.com/us/products/1613736>

Please be informed that the data shown in this PDF document is generated from our online catalog. Please find the complete data in the user documentation. Our general terms of use for downloads are valid.



The figure shows the 12-pos.
product version

Device connector front mounting, application: Feedback, signal, straight, Screw locking mechanism, M23, number of positions: 17, contact connection type: Pin, Axial O-ring, 4x Ø 3.2, shielded: yes, number of positions: 17, connection method: Crimp connection, series: RF

Commercial data

Item number	1613736
Packing unit	20 pc
Minimum order quantity	1 pc
Note	Made to order (non-returnable)
Product key	ABRAGL
GTIN	4046356401906
Weight per piece (including packing)	38.25 g
Weight per piece (excluding packing)	38.25 g
Country of origin	DE

1613736

<https://www.phoenixcontact.com/us/products/1613736>

Technical data

Notes

Order information:	Order crimp contacts Ø 1 mm separately
--------------------	--

Product properties

Product type	Circular connectors (device side)
Series	RF
Application	Feedback, signal Signal
Number of positions	17
Connection profile	17
Shielded	yes
Coding	N
Thread type	M23

Material specifications

Seal material	FPM
Housing material	High-grade steel 1.4305
Insulator material	PA 6.6
Gasket and O-ring material	FPM

Electrical properties

Contact

Contact diameter	1 mm
Nominal current I_N	8 A
Nominal voltage U_N	100 V
Overvoltage category	III
Degree of pollution	3
Rated surge voltage	1.5 kV

Connection data

Conductor connection

Connection method	Crimp connection
Contact connection type	Pin

Connector

Type	straight
Direction of rotation	Standard

Environmental and real-life conditions

Ambient conditions

RF-17P1N8AWV00 - Device connector front mounting



1613736

<https://www.phoenixcontact.com/us/products/1613736>

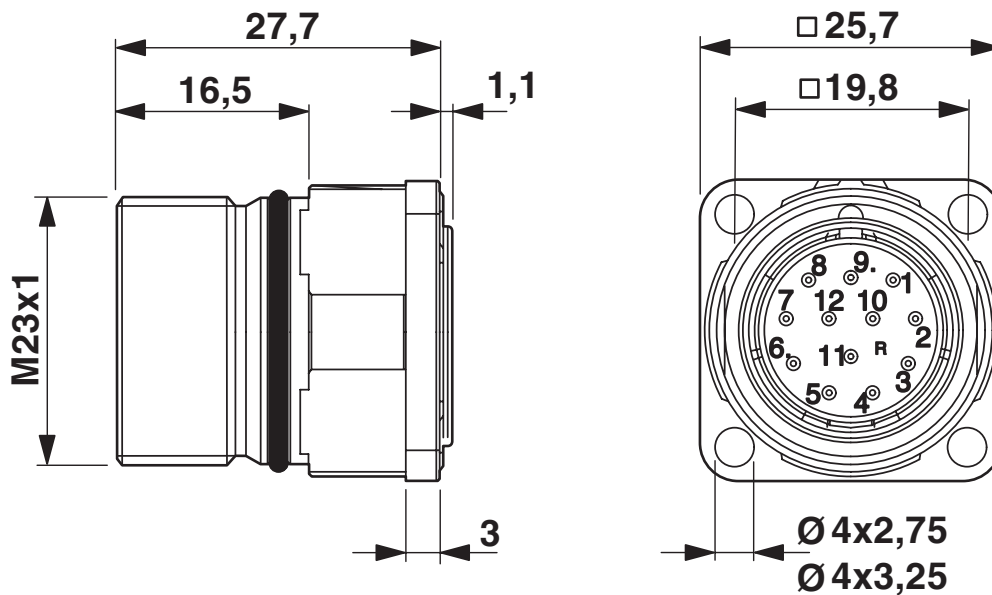
Degree of protection	IP67
Ambient temperature (operation)	-20 °C ... 125 °C
Altitude	2000 m

Drawings

Dimensional drawing



Dimensional drawing



1613736

<https://www.phoenixcontact.com/us/products/1613736>

Environmental product compliance

China RoHS

Environment friendly use period (EFUP)	EFUP-E
	No hazardous substances above the limits

EU REACH SVHC

REACH candidate substance (CAS No.)	No substance above 0.1 wt%
-------------------------------------	----------------------------

Phoenix Contact 2026 © - all rights reserved
<https://www.phoenixcontact.com>

Phoenix Contact USA
586 Fulling Mill Road
Middletown, PA 17057, United States
(+717) 944-1300
info@phoenixcon.com