

RF-16S1N8A8002 - Cable connector



1613725

<https://www.phoenixcontact.com/us/products/1613725>

Please be informed that the data shown in this PDF document is generated from our online catalog. Please find the complete data in the user documentation. Our general terms of use for downloads are valid.



Cable connector, application: Feedback, signal, straight, Screw locking mechanism, M23, number of positions: 16, contact connection type: Socket, shielded: yes, degree of protection: IP67, cable diameter range: 6 mm ... 10 mm, number of positions: 16, connection method: Crimp connection, series: RF

The figure shows the 12-pos.
product version

Commercial data

Item number	1613725
Packing unit	20 pc
Minimum order quantity	1 pc
Note	Made to order (non-returnable)
Sales key	AB31
Product key	ABRAGA
GTIN	4046356401845
Weight per piece (including packing)	97.445 g
Weight per piece (excluding packing)	91.859 g
Customs tariff number	85366990
Country of origin	DE

RF-16S1N8A8002 - Cable connector



1613725

<https://www.phoenixcontact.com/us/products/1613725>

Technical data

Notes

Order information:	Order crimp contacts Ø 1 mm separately
--------------------	--

Product properties

Product type	Circular connector (cable-side)
Series	RF
Application	Feedback, signal Signal
Number of positions	16
Connection profile	16
Shielded	yes
Coding	N
Thread type	M23

Material specifications

Material Housing	GD-Zn
Material Rotating parts	CuZn
Material Housing surface	Ni
Material Seal	FPM
Seal material	FPM

Connection data

Conductor connection	
Connection method	Crimp connection

Electrical properties

Contact: Contact group 1	
Contact diameter	1 mm
Nominal voltage U_N	48 V AC 74 V DC
Overvoltage category	III
Degree of pollution	3
Rated surge voltage	1.5 kV

Connector

Type	straight
Direction of rotation	Standard

Connection 1	
Head design	Socket
Head cable outlet	straight

RF-16S1N8A8002 - Cable connector



1613725

<https://www.phoenixcontact.com/us/products/1613725>

Head thread type	M23
------------------	-----

Cable/line

External cable diameter	6 mm ... 10 mm
-------------------------	----------------

Environmental and real-life conditions

Ambient conditions

Degree of protection	IP67
Ambient temperature (operation)	-40 °C ... 125 °C
Altitude	2000 m

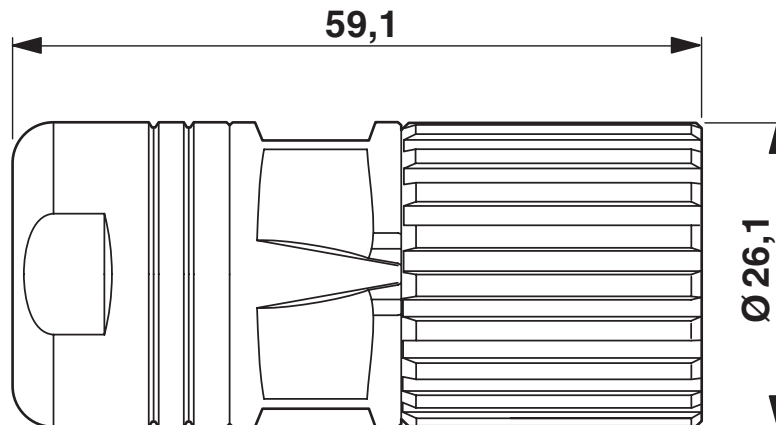
RF-16S1N8A8002 - Cable connector

1613725

<https://www.phoenixcontact.com/us/products/1613725>

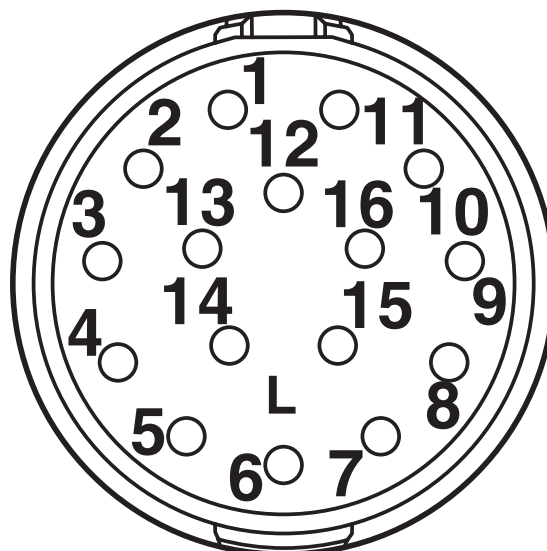
Drawings

Dimensional drawing



Dimensional drawing

Schematic diagram



Connector pin assignment

RF-16S1N8A8002 - Cable connector



1613725

<https://www.phoenixcontact.com/us/products/1613725>

Classifications

ECLASS

ECLASS-13.0	27440116
ECLASS-15.0	27440116

ETIM

ETIM 10.0	EC002635
-----------	----------

UNSPSC

UNSPSC 21.0	39121400
-------------	----------

RF-16S1N8A8002 - Cable connector



1613725

<https://www.phoenixcontact.com/us/products/1613725>

Environmental product compliance

EU RoHS

Fulfills EU RoHS substance requirements	Yes
Exemption	6(c)

China RoHS

Environment friendly use period (EFUP)	EFUP-50
	An article-related China RoHS declaration table can be found in the download area for the respective article under "Manufacturer declaration". For all articles with EFUP-E, no China RoHS declaration table issued and required.

EU REACH SVHC

REACH candidate substance (CAS No.)	Lead(CAS: 7439-92-1)
SCIP	8552893f-0e95-4b2a-992b-fe745659c60f

Phoenix Contact 2026 © - all rights reserved
<https://www.phoenixcontact.com>

Phoenix Contact USA
586 Fulling Mill Road
Middletown, PA 17057, United States
(+717) 944-1300
info@phoenixcon.com