

ST-Z0012 - Special wrench



1613667

<https://www.phoenixcontact.com/us/products/1613667>

Please be informed that the data shown in this PDF document is generated from our online catalog. Please find the complete data in the user documentation. Our general terms of use for downloads are valid.

Special wrench, series: ST



Commercial data

| | |
|--------------------------------------|--------------------------------|
| Item number | 1613667 |
| Packing unit | 1 pc |
| Minimum order quantity | 1 pc |
| Note | Made to order (non-returnable) |
| Sales key | AB36 |
| Product key | ABRFBA |
| GTIN | 4046356401692 |
| Weight per piece (including packing) | 75 g |
| Weight per piece (excluding packing) | 75 g |
| Customs tariff number | 82055980 |
| Country of origin | DE |

ST-Z0012 - Special wrench

1613667

<https://www.phoenixcontact.com/us/products/1613667>



Technical data

Product properties

| | |
|--------------|-------------------|
| Product type | Screwdriver tools |
| Series | ST |

ST-Z0012 - Special wrench

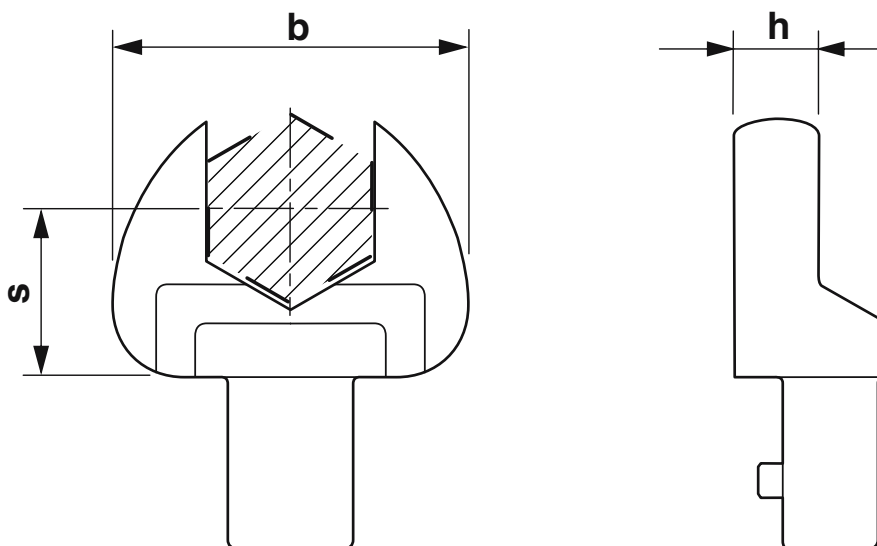
1613667

<https://www.phoenixcontact.com/us/products/1613667>



Drawings

Dimensional drawing



s= 20 mm, b= 42 mm, h= 9 mm

ST-Z0012 - Special wrench

1613667

<https://www.phoenixcontact.com/us/products/1613667>



Classifications

ECLASS

ECLASS-13.0

21049090

UNSPSC

UNSPSC 21.0

39121400

ST-Z0012 - Special wrench



1613667

<https://www.phoenixcontact.com/us/products/1613667>

Environmental product compliance

EU RoHS

| | |
|---|---|
| Fulfills EU RoHS substance requirements | Not applicable, No electrical and electronic equipment (EEE), cannot be used in EEE |
|---|---|

EU REACH SVHC

| | |
|-------------------------------------|----------------------------|
| REACH candidate substance (CAS No.) | No substance above 0.1 wt% |
|-------------------------------------|----------------------------|

Phoenix Contact 2026 © - all rights reserved

<https://www.phoenixcontact.com>

Phoenix Contact USA
586 Fulling Mill Road
Middletown, PA 17057, United States
(+717) 944-1300
info@phoenixcon.com