

# ST-6EP1N8A9002S - Coupler connector



1613563

<https://www.phoenixcontact.com/us/products/1613563>

Please be informed that the data shown in this PDF document is generated from our online catalog. Please find the complete data in the user documentation. Our general terms of use for downloads are valid.



Coupler connector, application: Power, straight, SPEEDCON, M17, number of positions: 6+PE, contact connection type: Pin, shielded: yes, cable diameter range: 3.5 mm ... 5 mm, number of positions: 7, connection method: Crimp connection, series: ST

The figure shows the 4-pos. (3+PE) product version

## Commercial data

Item number	1613563
Packing unit	1 pc
Note	Made to order (non-returnable)
Sales key	NULL
Product key	ABRBEG
GTIN	4046356401135
Weight per piece (including packing)	52.54 g
Weight per piece (excluding packing)	52.54 g
Customs tariff number	85366990
Country of origin	DE

# ST-6EP1N8A9002S - Coupler connector



1613563

<https://www.phoenixcontact.com/us/products/1613563>

## Technical data

### Notes

Order information:	Order crimp contacts Ø 1 mm separately
--------------------	--

### Product properties

Product type	Circular connector (cable-side)
Series	ST
Application	Power
Number of positions	7
Connection profile	6+PE
Shielded	yes
Coding	N
Thread type	M17

### Material specifications

Seal material	FPM
Housing material	Metal
Housing material	Turned parts: copper zinc alloy (CuZn), die-cast parts: zinc (GD-Zn)
Insulator material	PA 6.6
Gasket and O-ring material	FPM

### Connection data

#### Conductor connection

Connection method	Crimp connection
-------------------	------------------

### Electrical properties

#### Contact: Contact group 1

Contact diameter	1 mm
Nominal current $I_N$	14 A
Nominal voltage $U_N$	630 V
Overvoltage category	III
Degree of pollution	3
Rated surge voltage	6 kV

#### Contact: Contact group 2

Contact diameter	1 mm
------------------	------

### Connector

Type	straight
Direction of rotation	Standard

### Cable/line

# ST-6EP1N8A9002S - Coupler connector



1613563

<https://www.phoenixcontact.com/us/products/1613563>

External cable diameter	3.5 mm ... 5 mm
-------------------------	-----------------

## Environmental and real-life conditions

### Ambient conditions

Degree of protection	IP67
Ambient temperature (operation)	-40 °C ... 125 °C
Altitude	3000 m

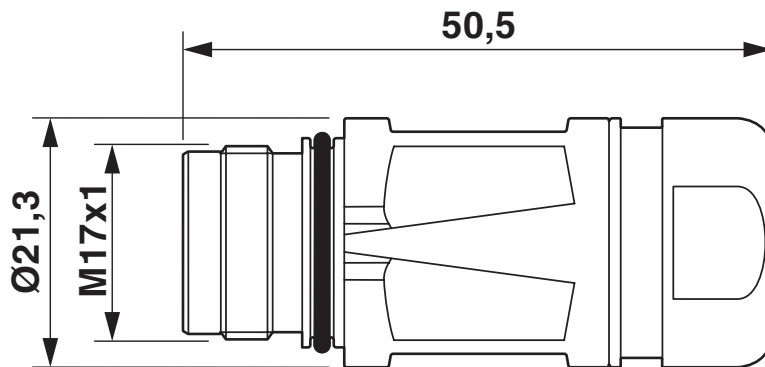
# ST-6EP1N8A9002S - Coupler connector

1613563

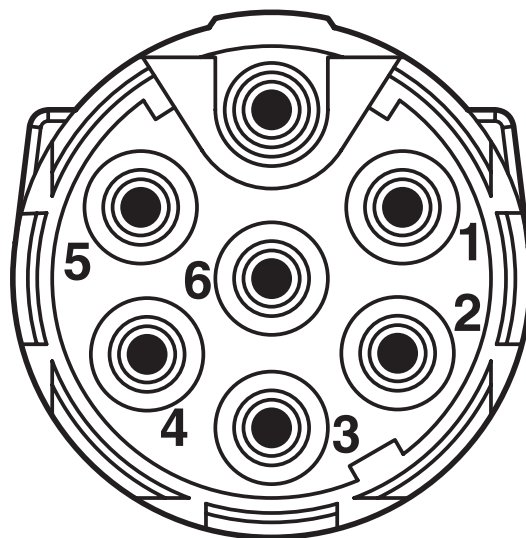
<https://www.phoenixcontact.com/us/products/1613563>

## Drawings

Dimensional drawing



Schematic diagram



## Connector pin assignment

# ST-6EP1N8A9002S - Coupler connector



1613563

<https://www.phoenixcontact.com/us/products/1613563>



$I$  = current strength,  $\vartheta$  = ambient temperature, 3x 14 A + 2x 2 A constant

# ST-6EP1N8A9002S - Coupler connector



1613563

<https://www.phoenixcontact.com/us/products/1613563>

## Environmental product compliance

### EU RoHS

Fulfills EU RoHS substance requirements	Yes
Exemption	6(c)

### EU REACH SVHC

REACH candidate substance (CAS No.)	Lead(CAS: 7439-92-1)
-------------------------------------	----------------------

Phoenix Contact 2026 © - all rights reserved  
<https://www.phoenixcontact.com>

Phoenix Contact USA  
586 Fulling Mill Road  
Middletown, PA 17057, United States  
(+717) 944-1300  
[info@phoenixcon.com](mailto:info@phoenixcon.com)