

# RC-2RP1N12Q0J0 - Crimp contact



1613420

<https://www.phoenixcontact.com/us/products/1613420>

Please be informed that the data shown in this PDF document is generated from our online catalog. Please find the complete data in the user documentation. Our general terms of use for downloads are valid.

Crimp contact



## Commercial data

Item number	1613420
Packing unit	10 pc
Minimum order quantity	1 pc
Note	Made to order (non-returnable)
Product key	ABRAFJ
GTIN	4046356400121
Weight per piece (including packing)	99.59 g
Weight per piece (excluding packing)	99.59 g
Country of origin	DE

# RC-2RP1N12Q0J0 - Crimp contact



1613420

<https://www.phoenixcontact.com/us/products/1613420>

## Technical data

### Product properties

Product type

Circular connector (cable-side)

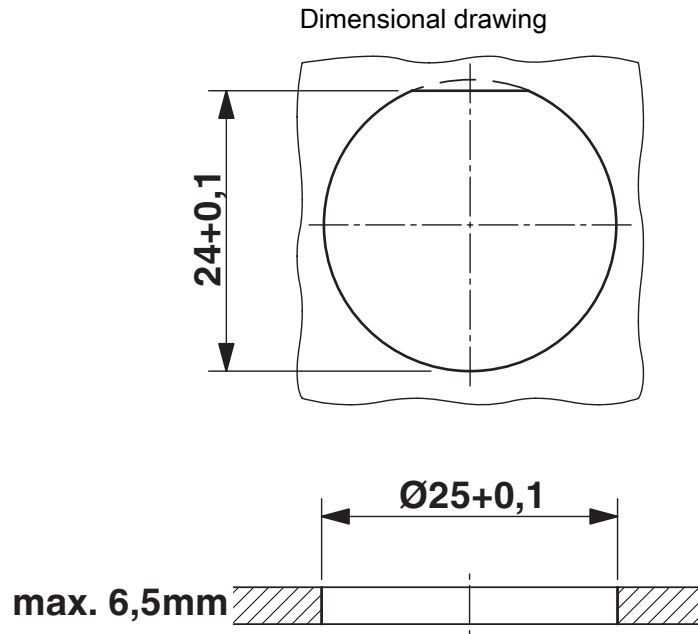
# RC-2RP1N12Q0J0 - Crimp contact



1613420

<https://www.phoenixcontact.com/us/products/1613420>

## Drawings



Installation dimensions

Phoenix Contact 2026 © - all rights reserved  
<https://www.phoenixcontact.com>

Phoenix Contact USA  
586 Fulling Mill Road  
Middletown, PA 17057, United States  
(+717) 944-1300  
[info@phoenixcon.com](mailto:info@phoenixcon.com)