

# TU-17P1NC24100 - Device connector rear mounting



1613276

<https://www.phoenixcontact.com/us/products/1613276>

Please be informed that the data shown in this PDF document is generated from our online catalog. Please find the complete data in the user documentation. Our general terms of use for downloads are valid.



M23, Device connector rear mounting, application: Signal, series: TU, straight, shielded: yes, Bayonet locking, No. of pos.: 17, Direction of rotation: Standard, contact connection type: Pin, Solder-in connection, Flat gasket, Panel thickness max.: 2.5 mm, coding: N. This product is in the process of being discontinued. This product must no longer be considered for new projects. Please contact your sales representative for alternatives.

## Commercial data

Item number	1613276
Packing unit	10 pc
Minimum order quantity	1 pc
Product key	ABRAHR
GTIN	4046356399142
Weight per piece (including packing)	62.8 g
Weight per piece (excluding packing)	55.437 g
Country of origin	DE

# TU-17P1NC24100 - Device connector rear mounting



1613276

<https://www.phoenixcontact.com/us/products/1613276>

## Technical data

### Product properties

Product type	Circular connectors (device side)
--------------	-----------------------------------

### Connector

#### Insulating body

Coding	N
Material (Insulating body)	PBT
Material (Contact)	CuZn
Material (Contact surface)	Ni/Au
Insertion/withdrawal cycles	50
Connection method	Solder-in connection
Contact switching type	Pin
Application	Signal
Number of positions	17
Direction of rotation	Standard
Connection profile	17
Number (Contact group 1)	17
Contact diameter (Contact group 1)	1 mm
Rated current Contact (Contact group 1)	8 A (for max. connection cross section)
Rated voltage Contact (Contact group 1)	48 V AC 74 V DC
Rated surge voltage	1.5 kV
Overvoltage category	III
Degree of pollution	3

#### Housing

Order information:	Order contact inserts separately
Type	Flange housing
Thread type	M23
Design	straight
Type of locking	Bayonet locking
Pg screw connection	none
Mounting type	Rear mounting/square flange (4x M3)
Material (Housing)	GD-Zn
Material (Housing surface)	Ni
Material (Rotating parts)	CuZn
Degree of protection (plugged in)	IP67
Seal for the device	Flat gasket

# TU-17P1NC24100 - Device connector rear mounting

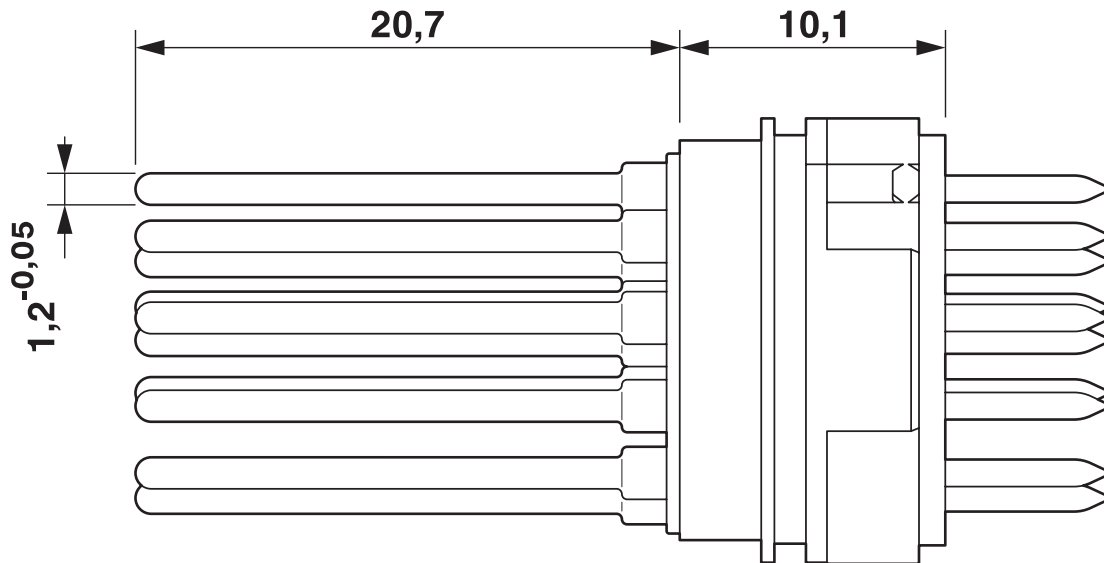


1613276

<https://www.phoenixcontact.com/us/products/1613276>

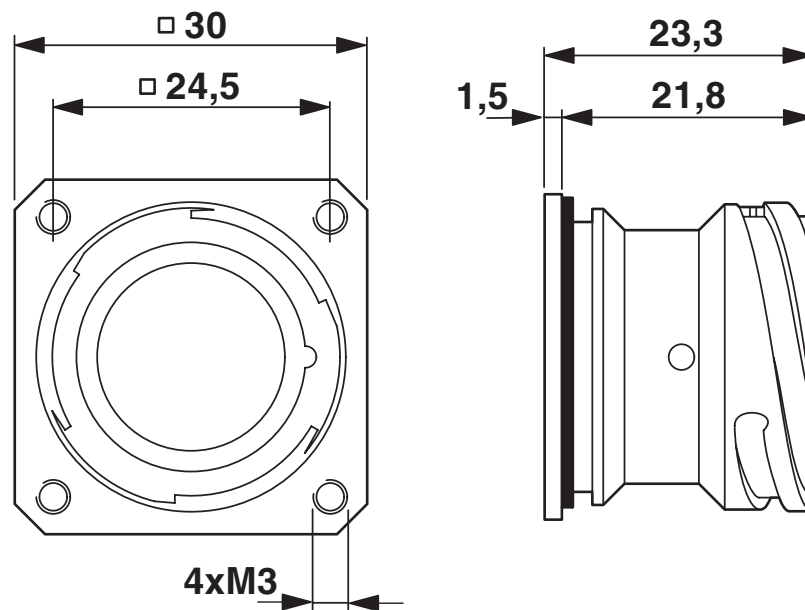
## Drawings

Dimensional drawing



Dimensional drawing

Dimensional drawing



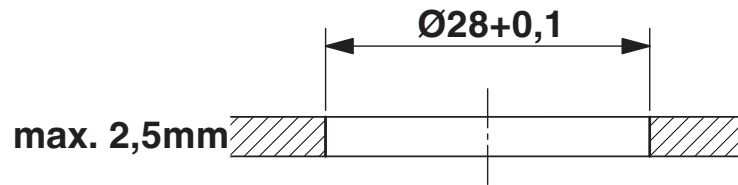
Dimensional drawing

# TU-17P1NC24100 - Device connector rear mounting

1613276

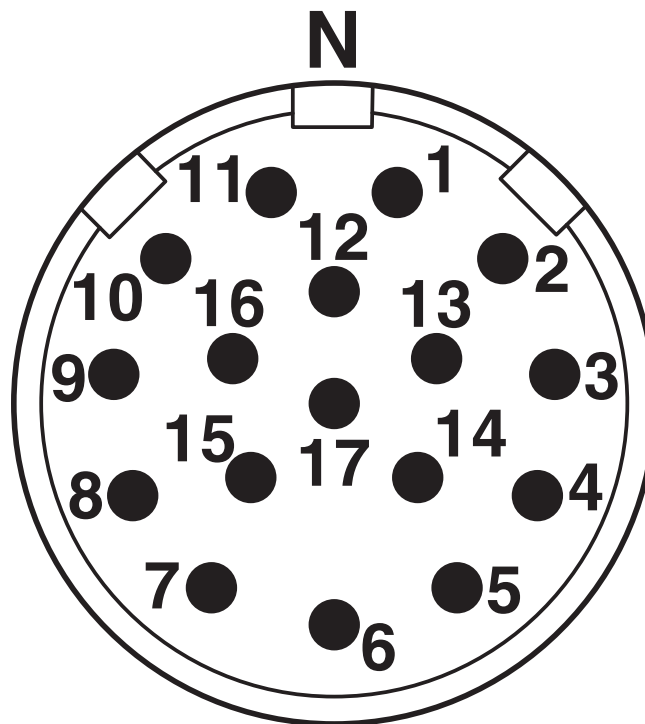
<https://www.phoenixcontact.com/us/products/1613276>

Dimensional drawing



Installation dimensions

Schematic diagram



Connector pin assignment

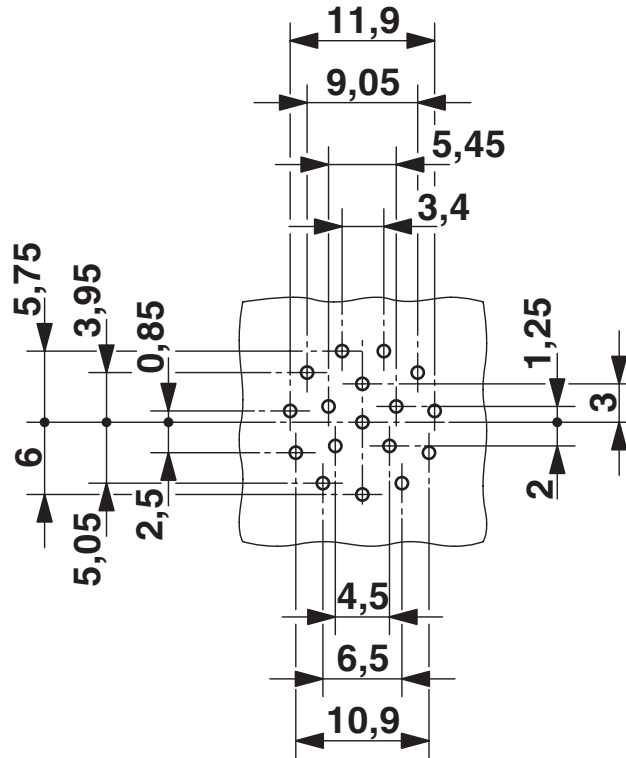
# TU-17P1NC24100 - Device connector rear mounting

1613276

<https://www.phoenixcontact.com/us/products/1613276>



Drilling plan/solder pad geometry



# TU-17P1NC24100 - Device connector rear mounting



1613276

<https://www.phoenixcontact.com/us/products/1613276>

## Classifications

### ECLASS

ECLASS-13.0	27440109
ECLASS-15.0	27440109

### ETIM

ETIM 10.0	EC003569
-----------	----------

### UNSPSC

UNSPSC 21.0	39121400
-------------	----------

1613276

<https://www.phoenixcontact.com/us/products/1613276>

## Environmental product compliance

### EU RoHS

Fulfills EU RoHS substance requirements	Yes
Exemption	6(c)

### China RoHS

Environment friendly use period (EFUP)	EFUP-50
	An article-related China RoHS declaration table can be found in the download area for the respective article under "Manufacturer declaration". For all articles with EFUP-E, no China RoHS declaration table issued and required.

### EU REACH SVHC

REACH candidate substance (CAS No.)	Lead(CAS: 7439-92-1)
SCIP	943ccdf4-2f15-4f13-bd1f-1ec1f4ce96d9

Phoenix Contact 2026 © - all rights reserved

<https://www.phoenixcontact.com>

Phoenix Contact USA  
586 Fulling Mill Road  
Middletown, PA 17057, United States  
(+717) 944-1300  
[info@phoenixcon.com](mailto:info@phoenixcon.com)