

RC-12S1N12C0EN - Rear panel feed-through



1613103

<https://www.phoenixcontact.com/us/products/1613103>

Please be informed that the data shown in this PDF document is generated from our online catalog. Please find the complete data in the user documentation. Our general terms of use for downloads are valid.



M23, Rear panel feed-through, application: Signal, series: RC, straight, shielded: yes, Screw locking mechanism, No. of pos.: 12, Direction of rotation: Standard, contact connection type: Socket, Solder cup, Flat gasket, Panel thickness max.: 2.5 mm, cable diameter range: 3 mm ... 10.5 mm, coding: N

Commercial data

| | |
|--------------------------------------|--------------------------------|
| Item number | 1613103 |
| Packing unit | 20 pc |
| Minimum order quantity | 1 pc |
| Note | Made to order (non-returnable) |
| Product key | ABRAFJ |
| GTIN | 4046356397773 |
| Weight per piece (including packing) | 74.015 g |
| Weight per piece (excluding packing) | 74.015 g |
| Country of origin | DE |

RC-12S1N12C0EN - Rear panel feed-through



1613103

<https://www.phoenixcontact.com/us/products/1613103>

Technical data

Product properties

| | |
|--------------|---------------------------------|
| Product type | Circular connector (cable-side) |
|--------------|---------------------------------|

Connector

Insulating body

| | |
|---|---|
| Coding | N |
| Material (Insulating body) | PBT |
| Material (Contact) | CuZn |
| Material (Contact surface) | Ni/Au |
| Insertion/withdrawal cycles | 50 |
| Connection method | Solder cup |
| Contact switching type | Socket |
| Application | Signal |
| Number of positions | 12 |
| Direction of rotation | Standard |
| Connection profile | 12 |
| Number (Contact group 1) | 12 |
| Contact diameter (Contact group 1) | 1 mm |
| Litz wires Min. cross section (Contact group 1) | 0.08 mm ² |
| Litz wires Max. cross section (Contact group 1) | 1 mm ² |
| Rated current Contact (Contact group 1) | 8 A (for max. connection cross section) |
| Rated voltage Contact (Contact group 1) | 48 V AC 74 V DC |
| Rated surge voltage | 1.5 kV |
| Overvoltage category | III |
| Degree of pollution | 3 |

Housing

| | |
|-----------------------------------|---------------------------------------|
| Type | Feed-through header |
| Thread type | M23 |
| Design | straight |
| Type of locking | Screw locking mechanism |
| Pg screw connection | none |
| Mounting type | Rear mounting/square flange (4x M2,5) |
| Material (Housing) | GD-Zn |
| Material (Rotating parts) | CuZn |
| Material (Housing surface) | Ni |
| Material (Seal) | FPM (O-ring) |
| Degree of protection (plugged in) | IP67 |
| Seal for the device | Flat gasket |

Seal

RC-12S1N12C0EN - Rear panel feed-through



1613103

<https://www.phoenixcontact.com/us/products/1613103>

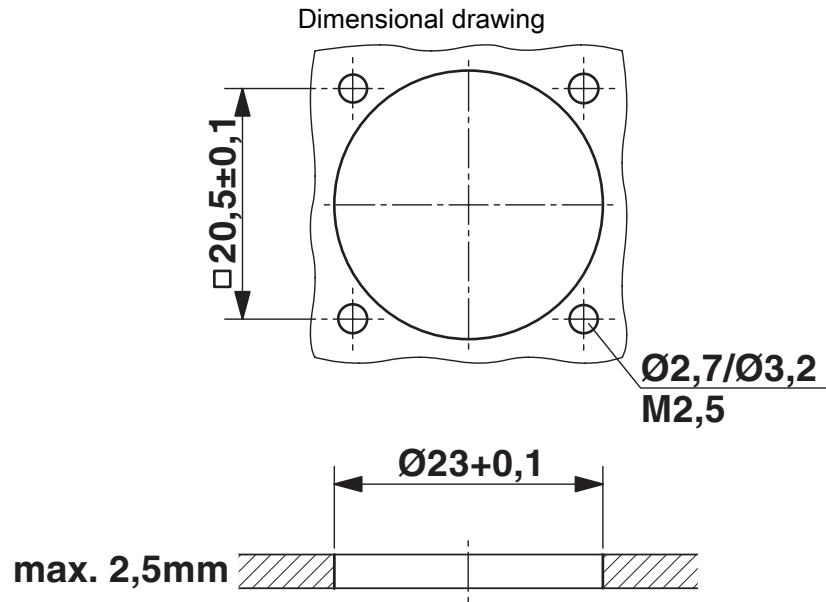
| | |
|-------------------------|------------------|
| External cable diameter | 3 mm ... 10.5 mm |
| Seal material | NBR |

RC-12S1N12C0EN - Rear panel feed-through

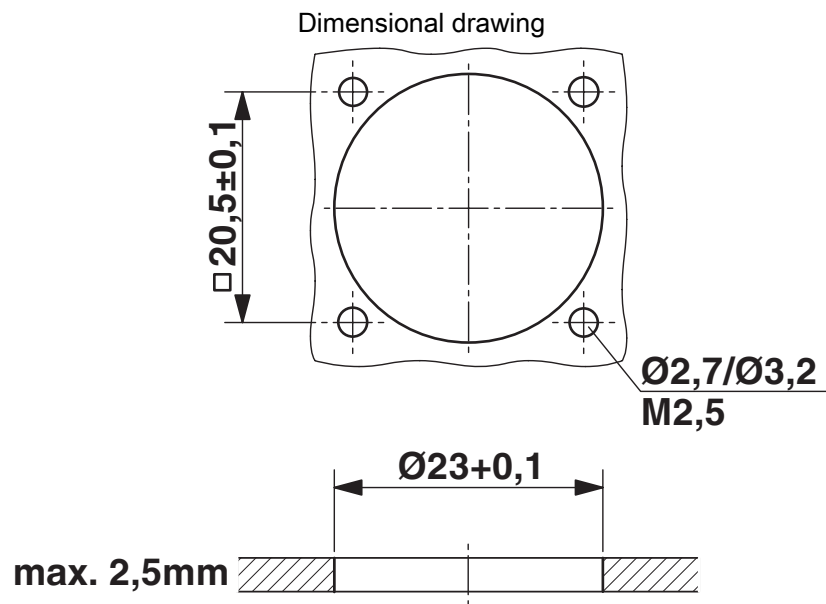
1613103

<https://www.phoenixcontact.com/us/products/1613103>

Drawings



Installation dimensions



Installation dimensions

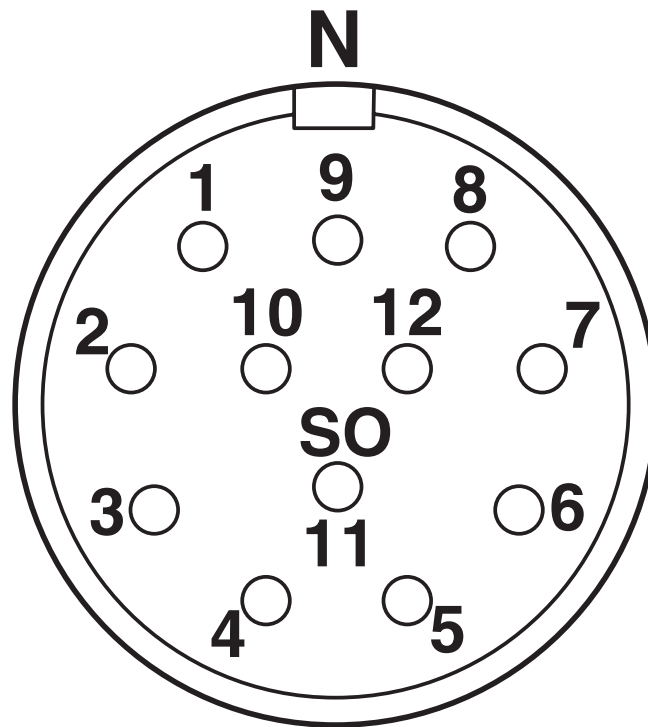
RC-12S1N12C0EN - Rear panel feed-through



1613103

<https://www.phoenixcontact.com/us/products/1613103>

Schematic diagram



Connector pin assignment

RC-12S1N12C0EN - Rear panel feed-through



1613103

<https://www.phoenixcontact.com/us/products/1613103>

Schematic diagram



Dimensional drawing

RC-12S1N12C0EN - Rear panel feed-through



1613103

<https://www.phoenixcontact.com/us/products/1613103>

Classifications

UNSPSC

| | |
|-------------|----------|
| UNSPSC 21.0 | 39121400 |
|-------------|----------|

RC-12S1N12C0EN - Rear panel feed-through



1613103

<https://www.phoenixcontact.com/us/products/1613103>

Environmental product compliance

EU RoHS

| | |
|---|------|
| Fulfills EU RoHS substance requirements | Yes |
| Exemption | 6(c) |

China RoHS

| | |
|--|---|
| Environment friendly use period (EFUP) | EFUP-50 |
| | An article-related China RoHS declaration table can be found in the download area for the respective article under "Manufacturer declaration". For all articles with EFUP-E, no China RoHS declaration table issued and required. |

EU REACH SVHC

| | |
|-------------------------------------|----------------------|
| REACH candidate substance (CAS No.) | Lead(CAS: 7439-92-1) |
|-------------------------------------|----------------------|

Phoenix Contact 2026 © - all rights reserved
<https://www.phoenixcontact.com>

Phoenix Contact USA
586 Fulling Mill Road
Middletown, PA 17057, United States
(+717) 944-1300
info@phoenixcon.com