

RC-0000000Q0EP - Rear panel feed-through



1613066

<https://www.phoenixcontact.com/us/products/1613066>

Please be informed that the data shown in this PDF document is generated from our online catalog. Please find the complete data in the user documentation. Our general terms of use for downloads are valid.



Rear panel feed-through, series: RC, M23, panel thickness min.: 0.8 mm, panel thickness max.: 6.5 mm. This product is in the process of being discontinued. This product must no longer be considered for new projects. Please contact your sales representative for alternatives.

Commercial data

Item number	1613066
Packing unit	12 pc
Minimum order quantity	1 pc
Product key	ABRAFK
GTIN	4046356397469
Weight per piece (including packing)	98.691 g
Weight per piece (excluding packing)	91.653 g
Country of origin	DE

RC-0000000Q0EP - Rear panel feed-through



1613066

<https://www.phoenixcontact.com/us/products/1613066>

Technical data

Product properties

Product type	Circular connector housing
Series	RC
Thread type	M23

Dimensions

Panel thickness	0.8 mm ... 6.5 mm
-----------------	-------------------

Connector

Housing

Type	Feed-through header
Thread type	M23
Design	straight
Mounting type	Rear mounting
Assembly note	Central fastening
Material (Housing)	GD-Zn
Material (Housing surface)	Ni
Material (Rotating parts)	CuZn
Degree of protection (plugged in)	IP67
Seal for the device	Axial O-ring

Seal

External cable diameter	3 mm ... 10.5 mm
Seal material	NBR

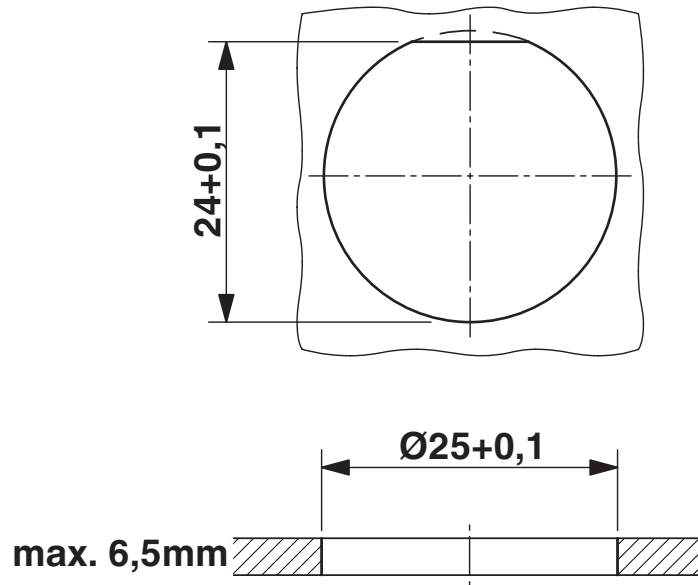
RC-0000000Q0EP - Rear panel feed-through

1613066

<https://www.phoenixcontact.com/us/products/1613066>

Drawings

Dimensional drawing



Installation dimensions

RC-0000000Q0EP - Rear panel feed-through



1613066

<https://www.phoenixcontact.com/us/products/1613066>

Classifications

ECLASS

ECLASS-13.0	27440224
ECLASS-15.0	27440224

ETIM

ETIM 10.0	EC003556
-----------	----------

UNSPSC

UNSPSC 21.0	39121400
-------------	----------

RC-0000000Q0EP - Rear panel feed-through



1613066

<https://www.phoenixcontact.com/us/products/1613066>

Environmental product compliance

EU RoHS

Fulfills EU RoHS substance requirements	Yes
Exemption	6(c)

China RoHS

Environment friendly use period (EFUP)	EFUP-50
	An article-related China RoHS declaration table can be found in the download area for the respective article under "Manufacturer declaration". For all articles with EFUP-E, no China RoHS declaration table issued and required.

EU REACH SVHC

REACH candidate substance (CAS No.)	Lead(CAS: 7439-92-1)
SCIP	669aa50b-2f67-439a-8042-4e09738439e4

Phoenix Contact 2026 © - all rights reserved

<https://www.phoenixcontact.com>

Phoenix Contact USA
586 Fulling Mill Road
Middletown, PA 17057, United States
(+717) 944-1300
info@phoenixcon.com